

Building underlay continuous behind head flashing and into opening

Cavity batten
Refer V00 Batten Options

Ulltraclad® UA 4917 weatherboards (horizontal) fixed with Locator Clips fixed at Max 600 mm horizontal centres with 8g x 2" CSK Sq S/S self tapping screws through batten into stud

Flashing tape

Note: Underlay strips to isolate aluminium from treated timber battens
Refer V00

Batten may require machining to allow for the thickness of Flashings & Tapes

Ulltraclad® Cavity Vent Strip
Alternatively use PVC

Fixed to lintel at 600 mm centres with 50 x 2.5 mm stainless steel clout

Vertical track flashing 0.9 mm folded aluminium flashing (hemmed) 150 mm above window head or inter-storey.
Alternatively use Dynex Dynafash

Ulltraclad® UA 4533 Head Starter 5 mm diameter drainage holes drilled through base of Head Starter at 300 mm centres

Sealant between head flashing and window flange in Very High Wind Zone and above reference figure 71 (c), E2/AS1

Window head flashing (15° slope) folded stop end. (Note: not supplied with Ulltraclad® system - contractor to supply as additional flashing)

Interior lining

Flexible flashing tape at corners

Air seal to perimeter of trim cavity with expandable foam or sealant as per section 9.1.6 of E2/AS1

Window liner

150

50 mm
Tape cover as per 4.3.11 of E2/AS1

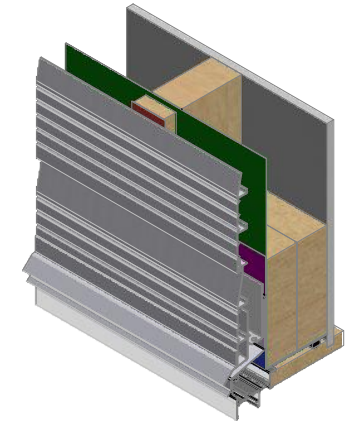
40 mm MIN
65 mm recommended
flashing upstand

NOTE: Extra high wind zone head flashing must be 65 mm and hemmed

15

10

7.5 mm
nominal gap



ULLTRACLAD®
ALUMINIUM WEATHERBOARDS

ULLTRACLAD ALUMINIUM CO LTD
PO Box 98 843 Manukau City Auckland 2241
118 Wiri Station Road Wiri 2104 New Zealand
TL 09 262 6262 Ext. 814 Mob 021 541 563
www.ulltraclad.co.nz
© ULLRICH ALUMINIUM - All Rights Reserved

H09
Rev : 10

Window Head on Cavity
UA 4917 TEE BOARD

HORIZONTAL CAVITY SYSTEM
Scale: 1 : 2 @ A4 - 2019

Brnz Appraisal #487 2019. (Horizontal)