

Building underlay continuous behind head flashing and into opening

Ultraclad® UA 7726 weatherboards fixed with Locator Clips fixed at Max 600 mm vertical centres with 8g x 2" CSK Sq S/S self tapping screws through batten into dwang / nog

Flashing tape

Note: Underlay strips to isolate aluminium from treated timber battens Refer V00

Batten may require machining to allow for the thickness of Flashings & Tapes

Fixed to lintel at 300 mm centres with 8g x 2" CSK Sq. S/S self tapping screws

Ultraclad® Cavity Vent Strip Alternatively use PVC

Ultraclad® UA 4533 Head Starter 5 mm diameter drainage holes drilled through base of Head Starter at 300 mm centres

Sealant between head flashing and window flange in very high wind zone and above

Window head flashing (15° slope) folded stop end. (Note: not supplied with Ultraclad® system - contractor to supply as additional flashing)

Window frame (Note: Refer to window manufacturer for method of supporting and fixing)

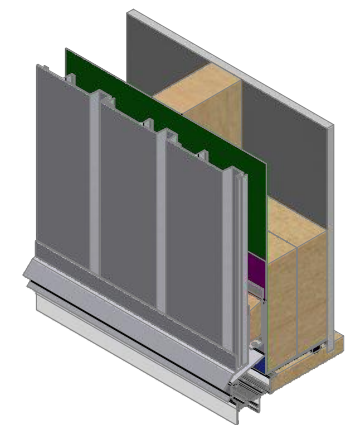
Interior lining

Note: Ensure to alternate spacings of fixings for battens and Locator Clips to avoid risk of splitting batten

Flexible flashing tape at corners

Air seal to perimeter of trim cavity with expandable foam or sealant as per section 9.1.6 of E2/AS1

Window liner



ULLTRACLAD®
ALUMINIUM WEATHERBOARDS

ULLRICH ALUMINIUM CO LTD
PO Box 98 843 Manukau City Auckland 2241
118 Wiri Station Road Wiri 2104 New Zealand
TL 09 262 6262 Ext. 814 Mob 021 541 563

www.ulltracalad.co.nz

© ULLRICH ALUMINIUM - All Rights Reserved

V08

Rev : 10

Window Head on Cavity
UA 7726 SHADO 100 BOARD

VERTICAL CAVITY SYSTEM

Scale: 1 : 2 @ A4 - 2019

Brnz Appraisal #796 2019. (Vertical)