

Ulltraclad® UA 6975 weatherboards (vertical) fixed with Locator Clips fixed at Max 600 mm vertical centres with 8g x 2" CSK Sq S/S self tapping screws through batten into dwang / nog

Timber floor structure in accordance with NZS 3604: 2011

Building Underlay

Note: Underlay strips to isolate aluminium from treated timber battens Refer V00

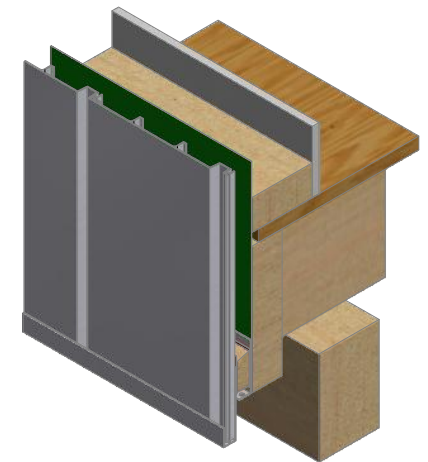
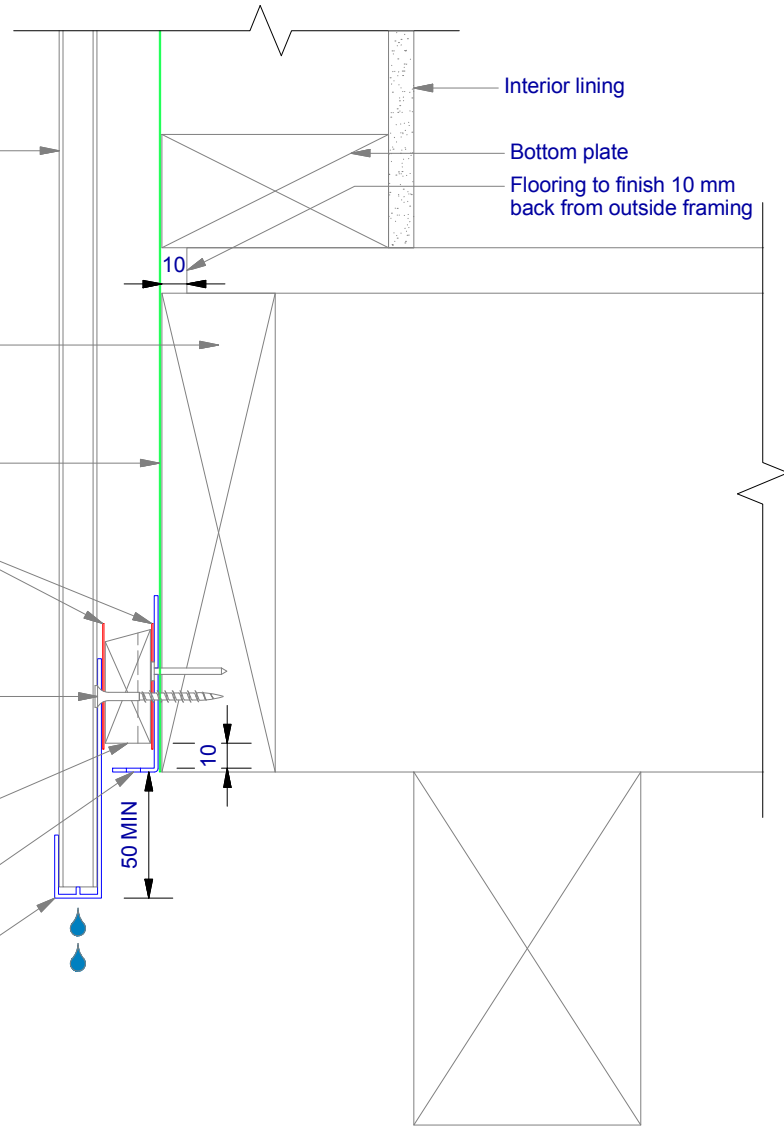
Ulltraclad® UA 4863 Vertical Starter Strip fixed to floor joist at 300 mm centres with 8g x 2" CSK Sq. S/S self tapping screws

Cavity batten Refer V00 Batten Options

Ulltraclad® Cavity Vent Strip Alternatively use PVC type

Ulltraclad® UA 4863 Board Starter B with 5 mm diameter drainage holes drilled through base of Starter at 300 mm centres

Note: Ensure to alternate spacings of fixings for battens and Locator Clips to avoid risk of splitting batten



ULLTRACLAD®
ALUMINIUM WEATHERBOARDS

ULLRICH ALUMINIUM CO LTD
PO Box 98 843 Manukau City Auckland 2241
1 18 Wiri Station Road Wiri 2104 New Zealand
TL 09 262 6262 Ext. 814 Mob 021 541 563

www.ulltraclad.co.nz

© ULLRICH ALUMINIUM - All Rights Reserved

V07

Rev : 10

Timber Floor on Cavity
UA 6975 SHADOLINE BOARD

VERTICAL CAVITY SYSTEM

Scale: 1 : 3 @ A4 - 2019

Brnz Appraisal #796 2019. (Vertical)