

Ultraclad® UA 7726 weatherboards fixed with Locator Clips fixed at Max 600 mm vertical centres with 8g x 2" CSK Sq S/S self tapping screws through batten into dwang / nog

Interior lining

Bottom plate

Flooring to finish 10 mm back from outside framing

Timber floor structure in accordance with NZS 3604: 2011

Building Underlay

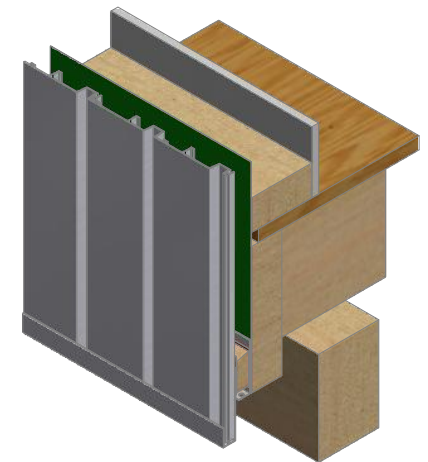
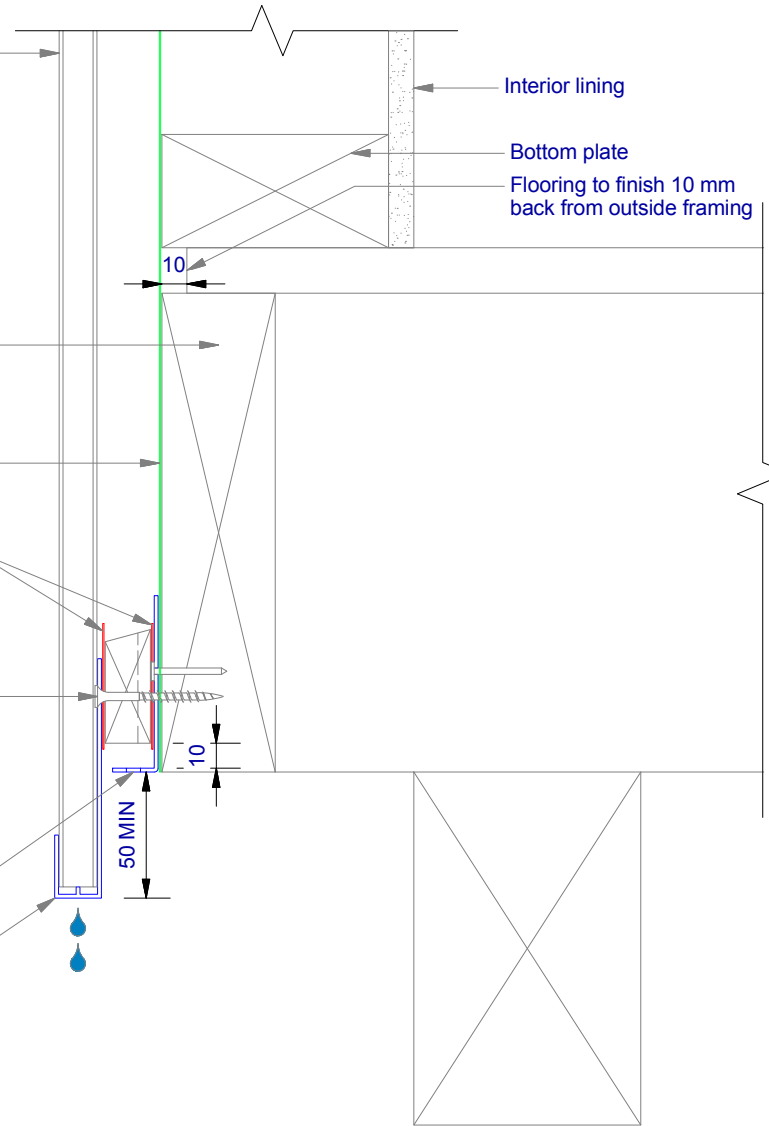
Note: Underlay strips to isolate aluminium from treated timber battens Refer V00

Ultraclad® UA 4863 Vertical Starter Strip fixed to floor joist at 300 mm centres with 8g x 2" CSK Sq. S/S self tapping screws

Ultraclad® Cavity Vent Strip Alternatively use PVC type

Ultraclad® UA 4863 with 5 mm diameter drainage holes drilled through base of Starter at 300 mm centres

Note: Ensure to alternate spacings of fixings for battens and Locator Clips to avoid risk of splitting batten



ULLTRACLAD[®]
ALUMINIUM WEATHERBOARDS

ULLRICH ALUMINIUM CO LTD
PO Box 98 843 Manukau City Auckland 2241
118 Wiri Station Road Wiri 2104 New Zealand
TL 09 262 6262 Ext. 814 Mob 021 541 563

www.ulltraclad.co.nz

© ULLRICH ALUMINIUM - All Rights Reserved

V07

Rev : 10

Timber Floor on Cavity
UA 7726 SHADO 100 BOARD

VERTICAL CAVITY SYSTEM

Scale: 1 : 3 @ A4 - 2019

Brnz Appraisal #796 2019. (Vertical)