

Building underlay over apron flashing

Ultraclad® UA 5059 weatherboards (horizontal) fixed with Locator Clips fixed at Max 600 mm horizontal centres with 8g x 2" CSK Sq S/S self tapping screws through batten into stud

Cavity batten  
Refer V00 Batten Options

Note: Underlay strips to isolate aluminium from treated timber battens.  
Refer V00

Ultraclad® Cavity Vent Strip  
Alternatively use PVC type

Ultraclad® UA 4863 Vertical Starter alternatively use UA 4862. 5 mm diameter drainage hole drilled through base of Vertical Starter at 300 mm centres

Apron flashing with 75 mm up stand cover behind cladding

Turn-down to suit roofing profile

Flashing length  
See Table 7 E2/AS1

Note: Ensure to alternate spacings of fixings for battens and Locator Clips to avoid risk of splitting batten

Nog as required

75 mm MIN cover above bottom of weatherboard

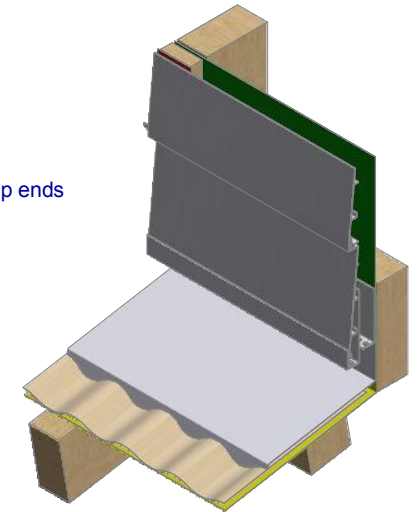
110 MIN Total

10

35 MIN clear gap

Roofing underlay turned up under flashing

Selected roofing with stop ends



**ULLTRACLAD**®  
ALUMINIUM WEATHERBOARDS

ULLTRACLAD ALUMINIUM CO LTD  
PO Box 98 843 Manukau City Auckland 2241  
118 Wiri Station Road Wiri 2104 New Zealand  
TL 09 262 6262 Ext. 814 Mob 021 541 563

www.ulltracalad.co.nz

© ULLRICH ALUMINIUM - All Rights Reserved

**H20**

Rev : 10

**Roof-Wall Junction on Cavity**  
**UA 5059 TRADITIONAL BOARD**

**HORIZONTAL CAVITY SYSTEM**

Scale: 1 : 3 @ A4 - 2019

Brnz Appraisal #487 2019. (Horizontal)