

Ultraclad® UA 7104 weatherboards (horizontal) fixed with Locator Clips fixed at Max 600 mm horizontal centres with 8g x 2" CSK Sq S/S self tapping screws through batten into stud

Building underlay over apron flashing

Cavity batten
Refer V00 Batten Options
Note: Underlay strips to isolate aluminium from treated timber battens.
Refer V00

Ultraclad® Cavity Vent Strip
Alternatively use PVC type

Ultraclad® UA 4863 Vertical Starter alternatively use UA 4862. 5 mm diameter drainage hole drilled through base of Vertical Starter at 300 mm centres

Apron flashing with 75 mm up stand cover behind cladding
Turn-down to suit roofing profile

Note: Ensure to alternate spacings of fixings for battens and Locator Clips to avoid risk of splitting batten

Nog as required

75 mm MIN cover above bottom of weatherboard

110 MIN Total

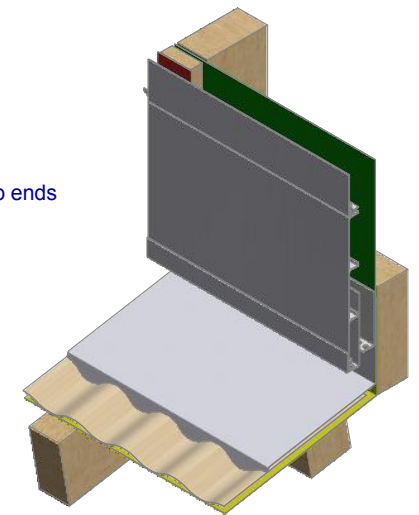
35 MIN clear gap

10

Roofing underlay turned up under flashing

Selected roofing with stop ends

Flashing length See Table 7 E2/AS1



ULLTRACLAD[®]
ALUMINIUM WEATHERBOARDS

ULLTRACLAD ALUMINIUM CO LTD
PO Box 98 843 Manukau City Auckland 2241
118 Wiri Station Road Wiri 2104 New Zealand
TL 09 262 6262 Ext. 814 Mob 021 541 563
www.ulltracalad.co.nz
© ULLRICH ALUMINIUM - All Rights Reserved

H20

Rev : 10

Roof-Wall Junction on Cavity
UA 7401 INFINITY BOARD

HORIZONTAL CAVITY SYSTEM
Scale: 1 : 3 @ A4 - 2019

Brnz Appraisal #487 2019. (Horizontal)