

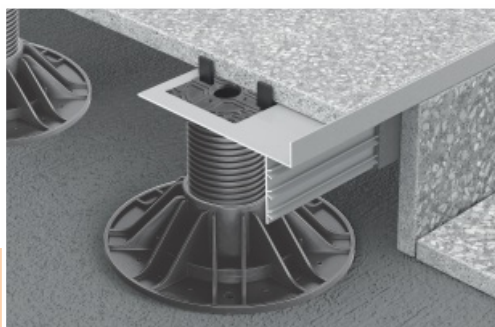
# PRO-JACK TILE SYSTEM

*Innovative, design driven architectural solutions for raised floors.*

tile warehouse



*Italian design & manufactured! Affordable!*



## SELF-LEVELLING HEAD MODEL

### Self-Levelling Head + Screw + Extension + Base

The PRO-JACK TILE SYSTEM is a pedestal support system for indoor and outdoor raised floors. PRO-JACK height is fully adjustable from a minimum of 35mm to a maximum of 500mm. PRO-JACK is a modular fully adjustable system made of Polypropylene suitable for outdoor areas like roof tops, terraces, pool surroundings, pedestrian walkways, decks and patios. Available in the Self-leveling head version and a fixed head version.

#### KIT VARIABLE HEIGHTS (without head) pack. 40 Kit

Article	H mm	Box / Pallet
PSRG3555	35 / 55	40
* PSRG5570	55 / 70	40
* PSRG70110	70 / 110	15
* PSRG11150	110 / 150	15
* PSRG15170	150 / 170	15
PSRG17200	170 / 200	15

Items not for sale individually. Minimum order one pack. One pack is composed of 40 complete kit.

#### SELF-LEVELLING HEAD with removable flaps flaps 2/4mm - pack. 40 Pcs

Article	Flap thick. (mm)
PSRG 02	2
* PSRG 04	4

Items not for sale individually. Minimum order one pack. One pack is composed of 40 pcs.

#### HOW TO ORDER

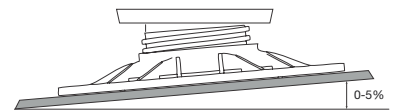
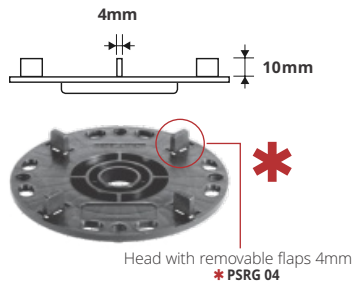
- 1) Choose the code of the KIT without the head in the desired height (E.g. PSRG5570)
- 2) Choose the code of the desired head (E.g. PSRG 04)

#### EXAMPLE

To order 80 pieces of PRO-JACK TILE SYSTEM with self-leveling head with 4 mm thick flaps and variable h. from 70 to 110 mm

#### Write in the order:

2 packs of 40 pcs code PSRG70110 + 2 packs of 40 pcs code PSRG 04



#### EXAMPLE PRO-JACK TILE SYSTEM HEIGHTS WITH SELF-LEVELLING HEAD

removable flaps



self-levelling head

screw



extension



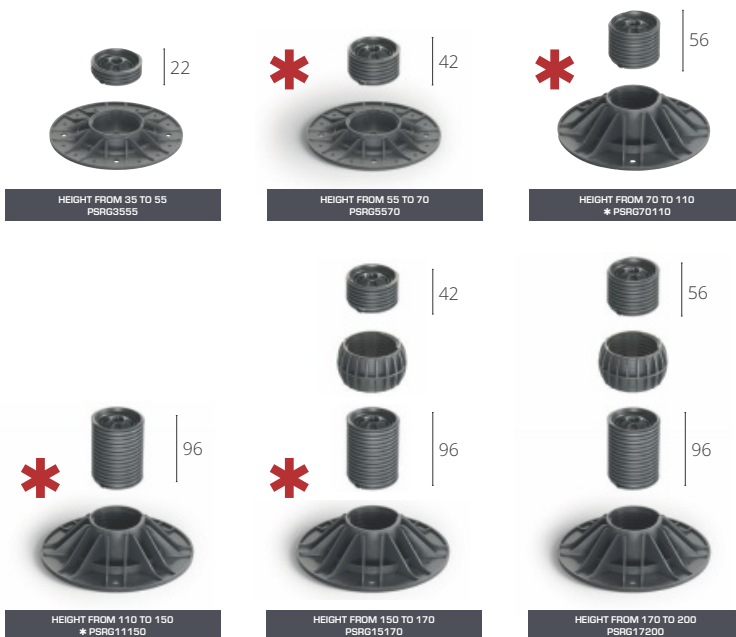
screw



base



#### PRO-JACK TILE SYSTEM HEIGHTS



HIGHER HEIGHTS ON DEMAND (UP TO A MAXIMUM OF 500MM), PRICE AND DELIVERY TIME TO BE AGREED.

**\* STOCKED ITEM. All non-stocked items 30-45 day lead-time.**

TO CALCULATE APPROXIMATE NUMBER OF JACKS REQUIRED, MULTIPLY SQUARE METRE OF FLOOR AREA BY 3 OR FOR A MORE ACCURATE CALCULATION, CONSULT YOUR LOCAL TILE WAREHOUSE BRANCH OR REPRESENTATIVE

## FIXED HEAD MODEL

### Fixed head + Screw + Extension + Base

The PRO-JACK TILE SYSTEM is a modular fully adjustable system made of Polypropylene suitable for outdoor areas like roof tops, terraces, pool surroundings, pedestrian walkways, decks and patios. Available in the Self-leveling head version and fixed head version.

#### FIXED HEAD PACK KIT (without head) pack. 40 Kit

Article	H mm	Box / Pallet
PSRG3555	35 / 55	40
* PSRG5570	55 / 70	40
* PSRG70110	70 / 110	15
* PSRG11150	110 / 150	15
* PSRG15170	150 / 170	15
PSRG17200	170 / 200	15

Items not for sale individually. Minimum order one pack. One pack is composed of 40 complete kit.

#### FIXED HEAD with removable laps 2/4mm pack. 40 Pcs

Article	Flap thick. (mm)
PSTP 02	2
* PSTP 04	4

Items not for sale individually. Minimum order one pack. One pack is composed of 40 pcs.

#### HOW TO ORDER

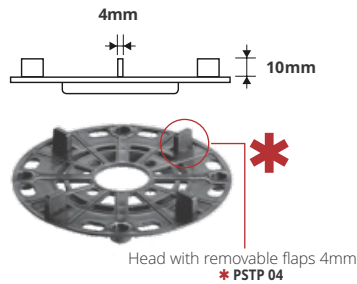
- 1) Choose the code of the KIT without the head in the desired height (E.g. PSRG5570)
- 2) Choose the code of the desired head (E.g. PSTP 04)

#### EXAMPLE

To order 80 pieces of PRO-JACK TILE SYSTEM with fixed head with 4mm thick flaps and variable h. from 70 to 110mm

#### Write in the order:

2 packs of 40 pcs code PSRG70110 + 2 packs of 40 pcs code PSTP 04



#### EXAMPLE PRO-JACK TILE SYSTEM HEIGHTS WITH FIXED HEAD

removable flaps



fixed head

screw



extension



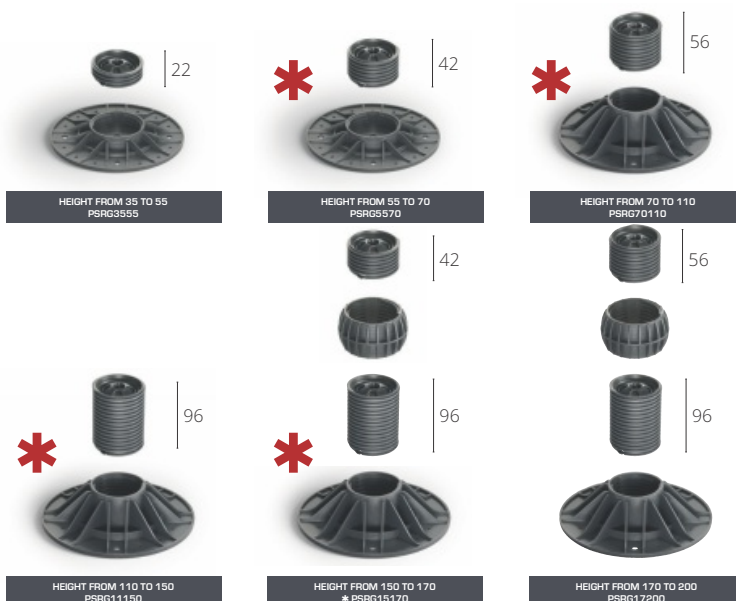
screw



base



#### PRO-JACK TILE SYSTEM HEIGHTS



HIGHER HEIGHTS ON DEMAND (UP TO A MAXIMUM OF 500MM), PRICE AND DELIVERY TIME TO BE AGREED.

**\* STOCKED ITEM. All non-stocked items 30-45 day lead-time.**

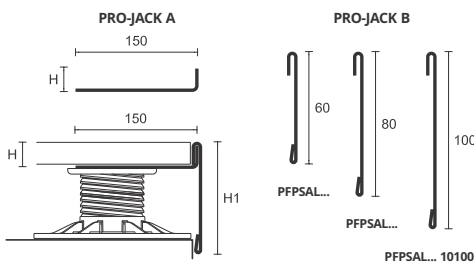
TO CALCULATE APPROXIMATE NUMBER OF JACKS REQUIRED, MULTIPLY SQUARE METRE OF FLOOR AREA BY 3 OR FOR A MORE ACCURATE CALCULATION, CONSULT YOUR LOCAL TILE WAREHOUSE BRANCH OR REPRESENTATIVE



## PRO-JACK PROFILE A/B



Perimeter profile to protect and finish the outer edge of raised floors of different types, e.g. ceramic, porcelain, stone etc. The PRO-JACK PROFILE consists in an "L"-shaped horizontal flat base to insert and anchor above the PRO-JACK Self-levelling head and a vertical visible part to insert in the vertical "L"-shaped element (as indicated in the drawing).



**PRO-JACK A - Base**  
Punched and perforated - Natural aluminium

Article	Lx H mm
BPPSAN 15015	150 x 15
BPPSAN 15020	150 x 20
BPPSAN 15025	150 x 25

Length 2,7 lm - pack. 20 Pcs

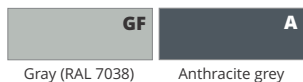


**PRO-JACK B - Top profile - Varnished aluminium**

Article	H1 mm
PFPSSAL... 1060 (Pack. 20 Pcs)	60
PFPSSAL... 1080 (Pack. 10 Pcs)	80
PFPSSAL... 10100 (Pack. 10 Pcs)	100

Length 2,7 lm

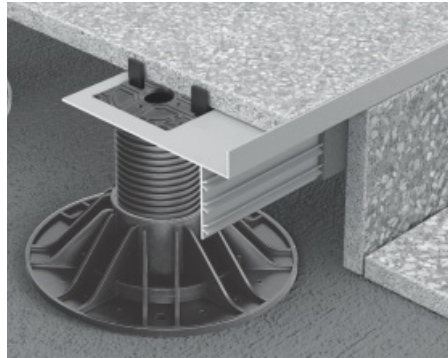
**COLOUR RANGE**



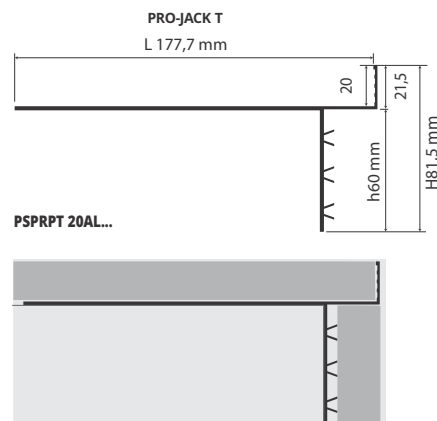
**EMBOSSED ON DEMAND**



## PRO-JACK PROFILE T



Profile for the protection and finishing of the external edge of raised floors in ceramic, porcelain, stone and composite materials. The vertical section of the profile features specially designed fins that create a dovetail cladding system. This dovetail cladding system allows for the adhesive used to fix the covering to also mechanically bond to the profile itself. The profile is provided with a decorative edge of 20mm height.



**PRO-JACK T - Varnished aluminium**

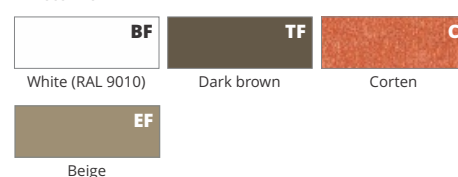
Article	Lx H mm	h mm
PPSRPT 20AL...	177,7x81,5	60

Bar length 2,7 lm - pack. 20 Pcs - 54 lm

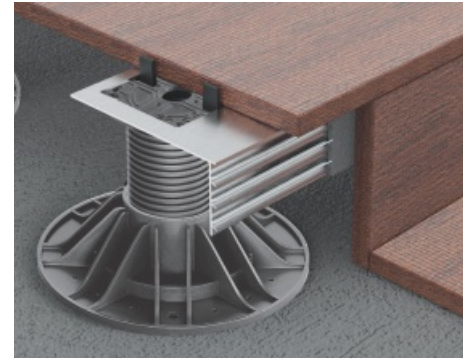
**EMBOSSED**



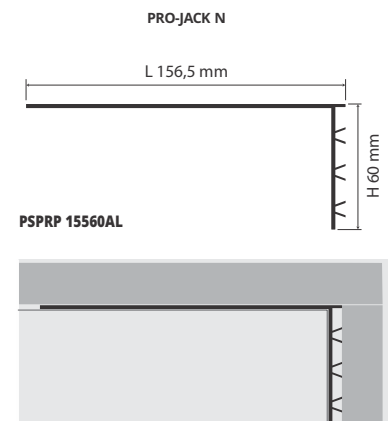
**EMBOSSED ON DEMAND**



## PRO-JACK PROFILE N



Profile for the protection and finishing of the external edge of raised floors in ceramic, wood and composite materials. The vertical section of the profile features specially designed fins that create a dovetail cladding system. This dovetail cladding system allows for the adhesive used to fix the covering to also mechanically bond to the profile itself.



**PRO-JACK N - Natural aluminium**

Article	H mm	L mm
PPSRPN 15560AL	60	156,5

Bar length 2,7 lm - pack. 20 Pcs - 54 lm



## OPTIONAL

### Anti-Noise and Anti-Slip Rubber Disk

Rubber disk designed to reduce noise up to 25db and prevent slipping of the tiles.  
Height 3mm and diameter 110mm.  
To be placed on the self-leveling or fixed head.

### Flange Locking Device

Locking Flange prevents the rotation of the screw to avoid flooring movements over time.  
To be placed at the bottom of the screw.

#### ANTI-NOISE AND ANTI-SLIP RUBBER DISK H 3 mm - Ø 110 - Pack. 180 Pc

Article	H: mm & Ø
GARPS 3110	H:3 - Ø 110

One pack is composed of 180 pcs.



#### FLANGE LOCKING DEVICE Polypropylene - H 3 mm - Ø 75 - Pack. 250 Pcs

Article	H: mm & Ø
AFBPS 875	H:8 - Ø 75

One pack is composed of 250 pcs.



### Spacer for application on gravel

Transparent, plastic cross spacer for laying on gravel or irregular surfaces.

### Adjusting Key

(For self-levelling and fixed heads)

#### SPACER FOR APPLICATION ON GRAVEL Pack. 100 Pcs

Article
* DILV

One pack is composed of 100 pcs.



#### ADJUSTING KEY (For self-levelling and fixed heads)

Article
* PSAK



**\* STOCKED ITEM. All non-stocked items 30-45 day lead-time.**

TO CALCULATE APPROXIMATE NUMBER OF JACKS REQUIRED, MULTIPLY SQUARE METRE OF FLOOR AREA BY 3 OR FOR A MORE ACCURATE CALCULATION, CONSULT YOUR LOCAL TILE WAREHOUSE BRANCH OR REPRESENTATIVE

# TILE WAREHOUSE PORCELAIN PAVER RANGE

20mm Porcelain Pavers are twice the thickness of most tiles and have all the benefits of a regular porcelain tile. They are the ideal paving solution in that they will not stain, fade and require no treatment. They are also easy to install. Porcelain pavers and slabs can be laid dry on sand, grass, or gravel or they can be laid on concrete with adhesive, as you would a traditional porcelain tile.

Another alternative is to lay them using adjustable, raised supports such as our Pro-Jack supports with open joints allowing for drainage and providing a level tiled area out from doors to exterior living areas. Porcelain pavers tend to be more interesting in design compared to traditional pavers, and they often complement a 10mm porcelain range. This way they can be used both inside and outside creating internal, external flow. Here are a few of our porcelain paver collections:

## Bluestone

Create indoor/outdoor flow with the Bluestone flooring solution. Also available in 10mm and in matching 300x600x20mm bullnoses.



## Black Nero



Matching 10mm for indoor-outdoor flow.

## Memphis Silver



## NG Silver Stone Paver



Matching 10mm for indoor-outdoor flow.

## New York Paver



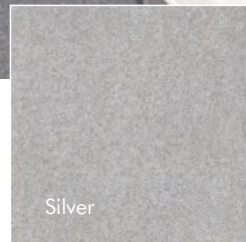
NB: Pavers are available in 600x600mm. Other sizes may be available in 450x900, 600x1200mm, POA.



## Como Travertine



## Deck Crystal

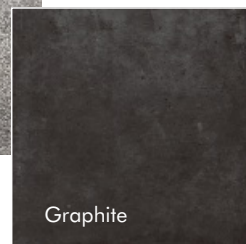


## Mineral Project



## Paradigm

Also available in matching Bullnoses in Light Grey & Grey 350x600mm, and in matching 10mm in two sizes and finishes, hexagonals and decorators.



## Ext. Pietra Grey



## Quartz Grey



## Ext. Stone Grey



## Vista Grey



Also available in matching 600x600x10mm & 600x1200x10mm for indoor-outdoor flow.

NB: Pavers are available in 600x600mm. Other sizes may be available in 450x900, 600x1200mm, POA.

## INSTALLATION

### Installing a Pro-Jack System



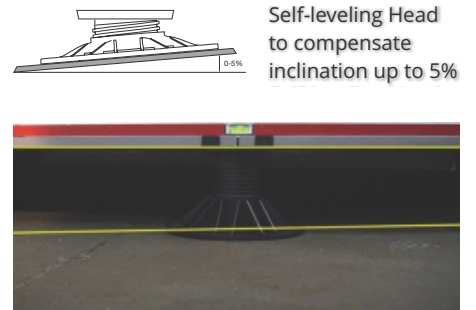
Cut the base for corner pieces



Adjust height with dedicated adjusting key



Check for Flat Level



Before the installation of adjustable supports it is recommended to verify that the subfloor is properly waterproofed, has the right slope, is load-bearing and not subject to bending.

As perimeter cuts less than 12cm are not possible, it is advised to study a correct installation pattern.

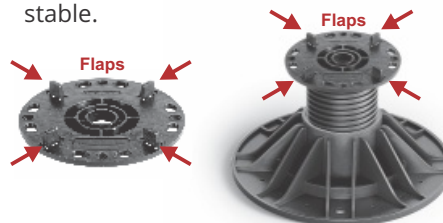
- 1) Clean the surface where the PRO-JACK TILE SYSTEM will be laid.
- 2) Prepare the Pro-jack suitable for the desired height.
- 3) Place the jacks on the corners depending on size of the tile.

- 4) Remove the flaps on the heads (0 for cross, 2 for perimeter laying and 4 in case of corner). If requested place the anti-noise and anti-slip rubber disc in place.

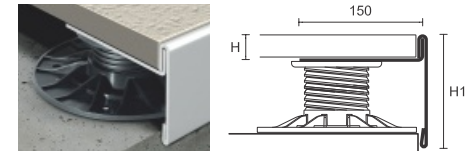
- 5) Place the heads on the top of the screws.

- 6) Lay the tiles in place up to the 'flaps'.

- 7) After laying check that the flooring is stable; otherwise, tighten or slightly screw the screws with the adjusting key until the flooring is perfectly stable.



Adjustable pedestal support system for raised indoor and outdoor floor covering application.



View instructional video here >>>  
<https://www.tilewarehouse.co.nz/tile-ranges/pro-jack-tile-system/>

### Installing Aluminium Trim

