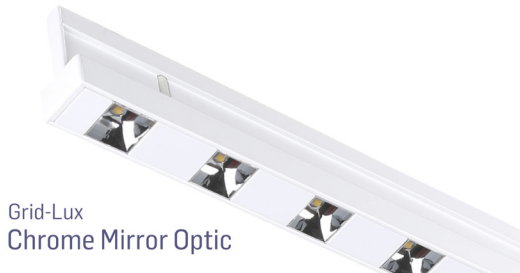


GRIDLUX

GRIDLUX LED MODULE

Chrome Mirror Optic 1200/600



Grid-Lux
Chrome Mirror Optic



PRODUCT SUMMARY

Gridlux LED Module offers a new and exciting way to incorporate lighting into a suspended ceiling grid. It is designed in the shape of a standard cross tee bar to allow selected cross tees in the grid to be substituted with Grid-Lux. It can be fully integrated at the project design stage, alongside T&R's standard CBI Grid - a fully tested and proven system for New Zealand's unique seismic conditions. In retrofit scenarios, Grid-Lux can be placed into any heavyweight 38mm seismic ceiling grid. It creates a stylish and innovative lighting solution suitable for offices, schools and commercial interiors.

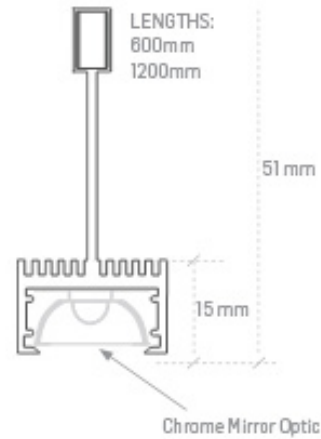
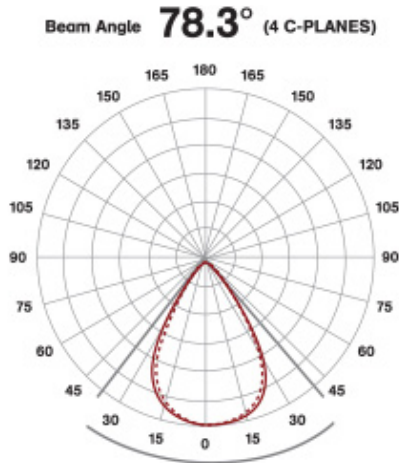
The Chrome Mirror Optic Gridlux is a subtle and elegant choice - ideal for office interiors, where task lighting is required without any glare.

- Low Glare while providing 400 lumens on the workstation (dependant on configuration).
- Integrating Gridlux enables a much higher performing acoustic ceiling, by eliminating the need to replace tiles to provide space for traditional lighting solutions. This provides a much higher area of potential absorption across the ceiling surface.
- Gridlux has been engineered to take seismic load, (complies with BC 1170.5) and is therefore ideal to be integrated as part of a seismically designed suspended ceiling.
- 5-year replacement warranty.
- Easy installation.
- Long-life energy-saving LED technology (L90,B50 90,000hrs).
- Complete system installed with flex and plug; can be used with Building Management System.
- Anodised and powder-coated aluminium extrusion, steel mounting clips.

Please Note: Gridlux is installed as part of the ceiling, and should be tendered as part of the ceiling contract. Installation will need to be coordinated with the electrical contractor for suitable power points in the plenum.

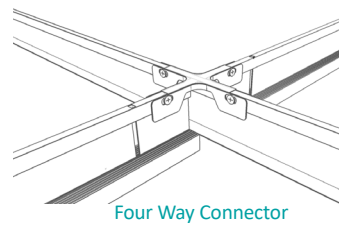
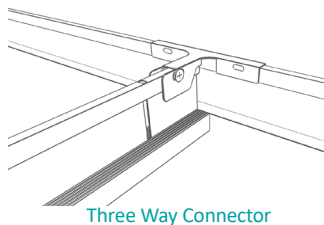
GRIDLUX LED MODULE

Chrome Mirror Optic 1200/600



Gridlux is designed to be configured for any space, variable ceiling heights and work planes. Light levels are accommodated through the system driver outputs.

GENERAL TEST DESCRIPTION	RESULT	TEST METHOD
Power Consumption	25W (600mm) & 45W (1200mm)	
Input Voltage	240V	
Light Output	1743/3486lm	
Luminaire Efficiency	102.9lm/W	at 700mA
Size	1200mm, 600mm	
Colour	White, Black and others available on indent.	
Weight	1200mm: 0.72kgs (additional weight over cross tee is 0.32kgs) 600mm: 0.31kgs (additional weight over cross tee is 0.13kgs)	



• Tridonic Driver Details

Available with Tridonic drivers to suit a range of lighting control systems.

For a non- dimmable setup: Each individual 1200mm light, or pair of 600mm lights, is supplied with a Tridonic driver and a 2.5m long 3 core flex & (3-pin) pre fitted plug.

For a dimmable or DALI setup: Each individual 1200mm light, or pair of 600mm lights, is supplied with a Tridonic DALI driver and a 2.5m long 5 core flex & (5-pin) pre fitted plug. Wiring between each plug socket will be 5 core wiring and is the responsibility of the on-site electrician and/or electrical engineer.



Required (5-pin) plug socket.

Core flex & (5-pin) pre fitted plug