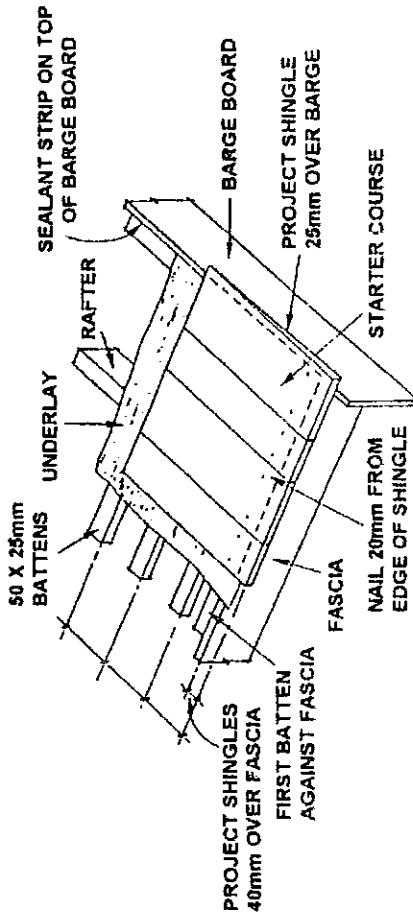
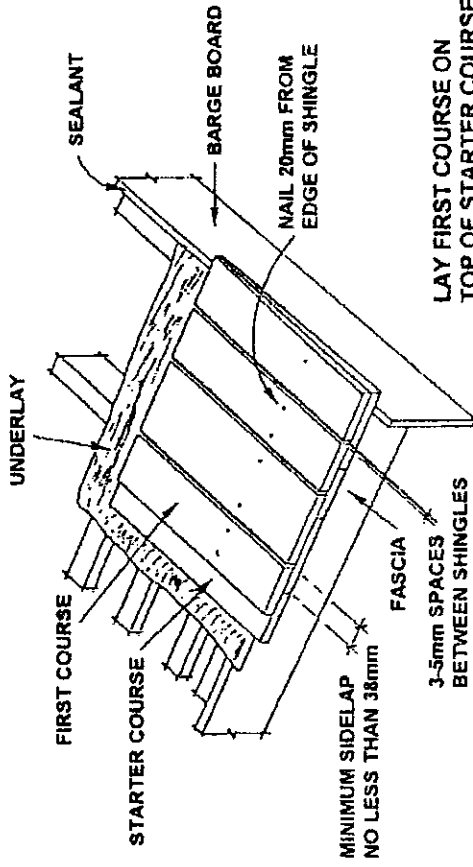


1. STARTER COURSE



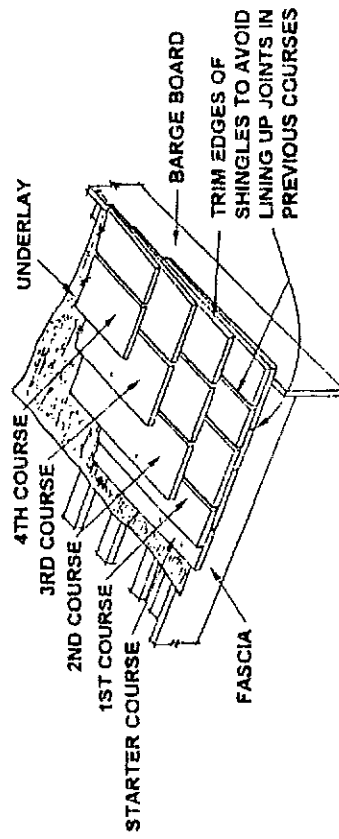
STARTER COURSE SHINGLES TO BE LAYED WITHOUT SPACES

2. FIRST COURSE



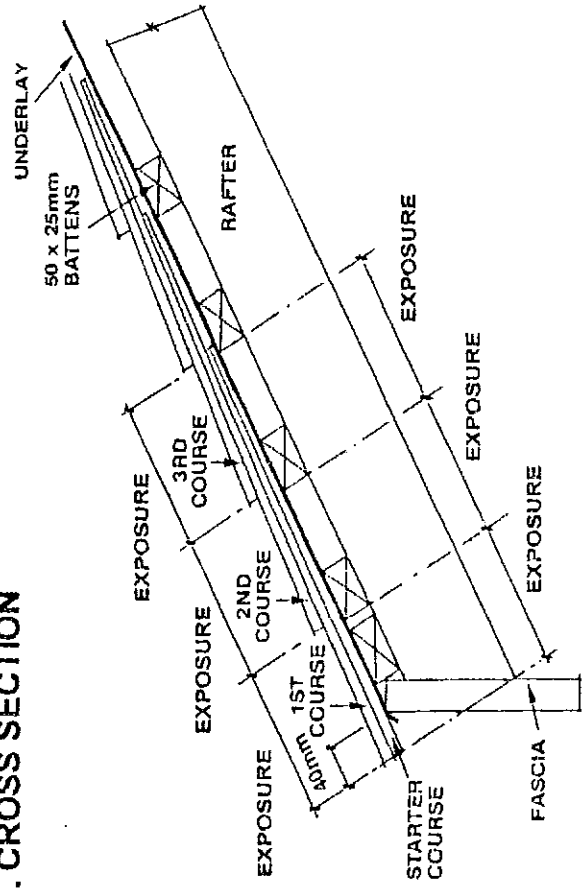
LAY FIRST COURSE ON TOP OF STARTER COURSE LEAVING 3-5mm SPACES BETWEEN SHINGLES

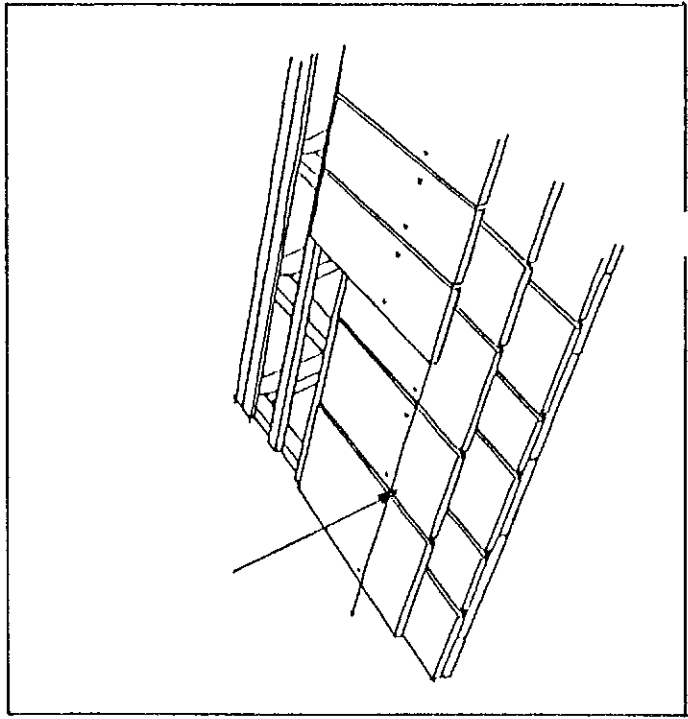
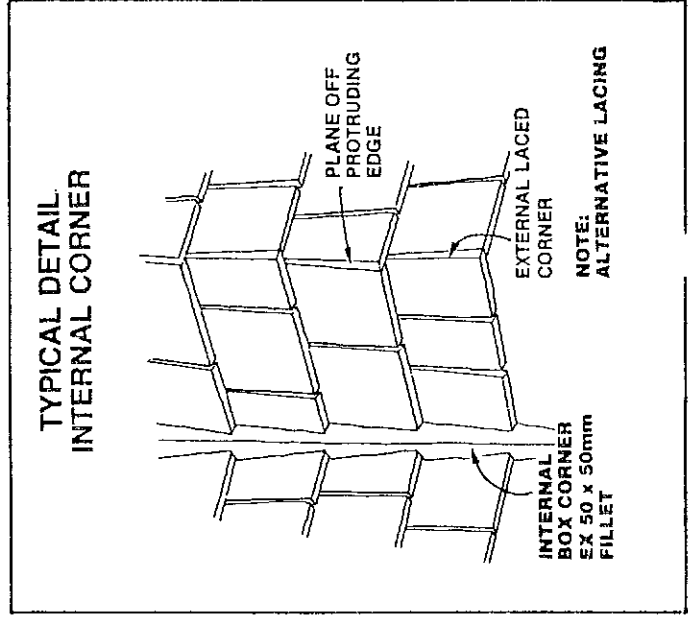
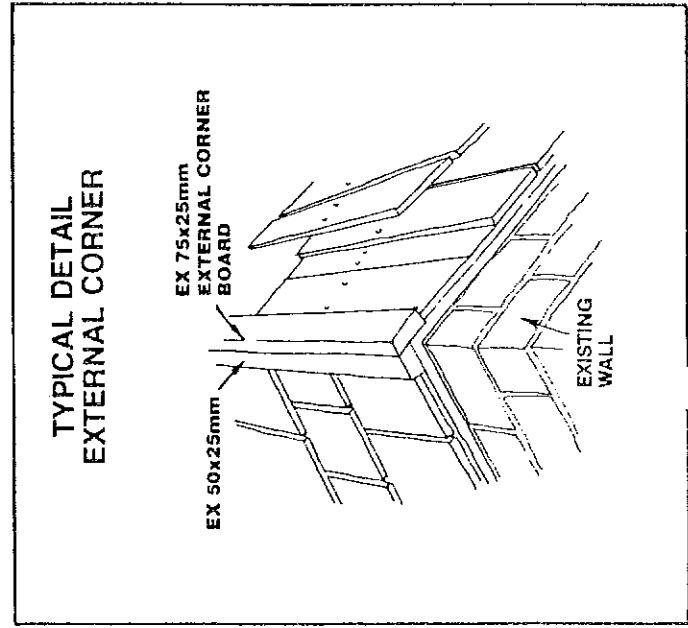
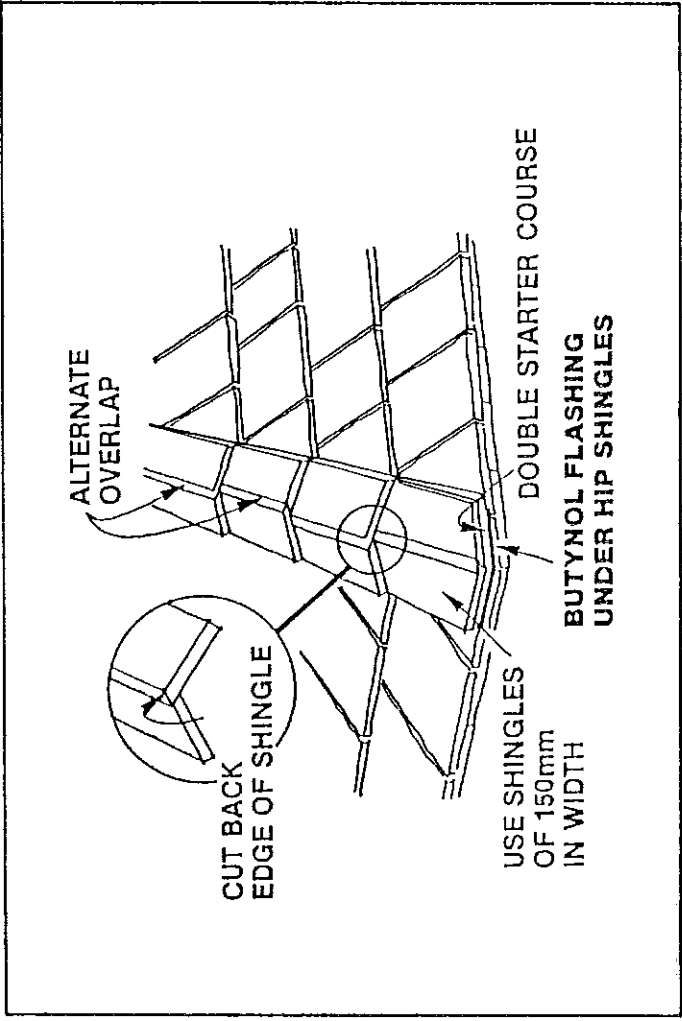
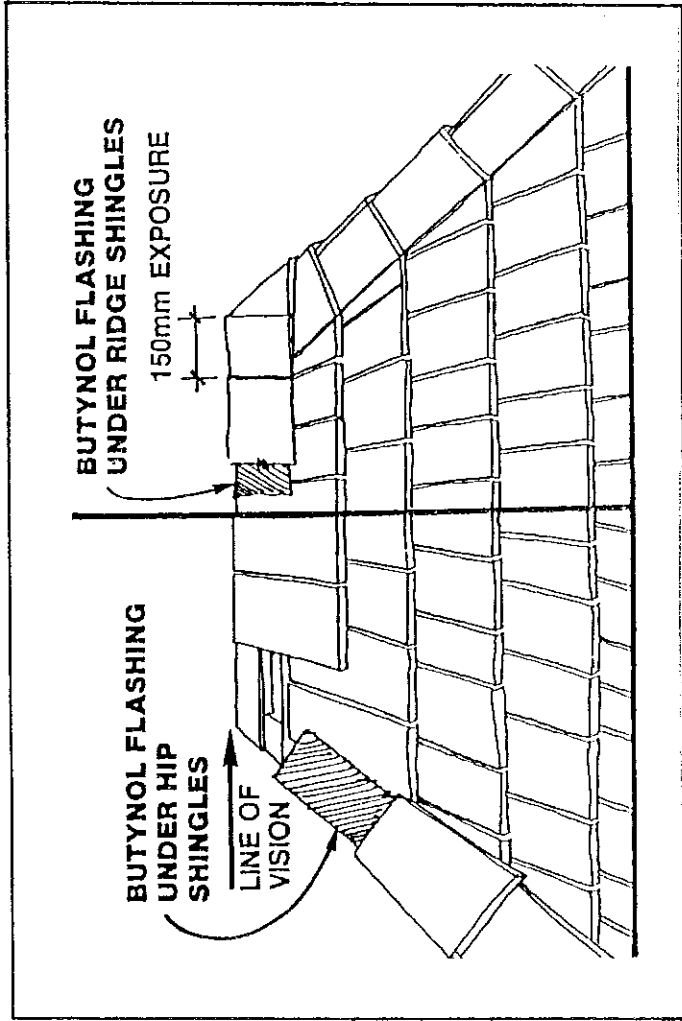
3. SHINGLE COURSES

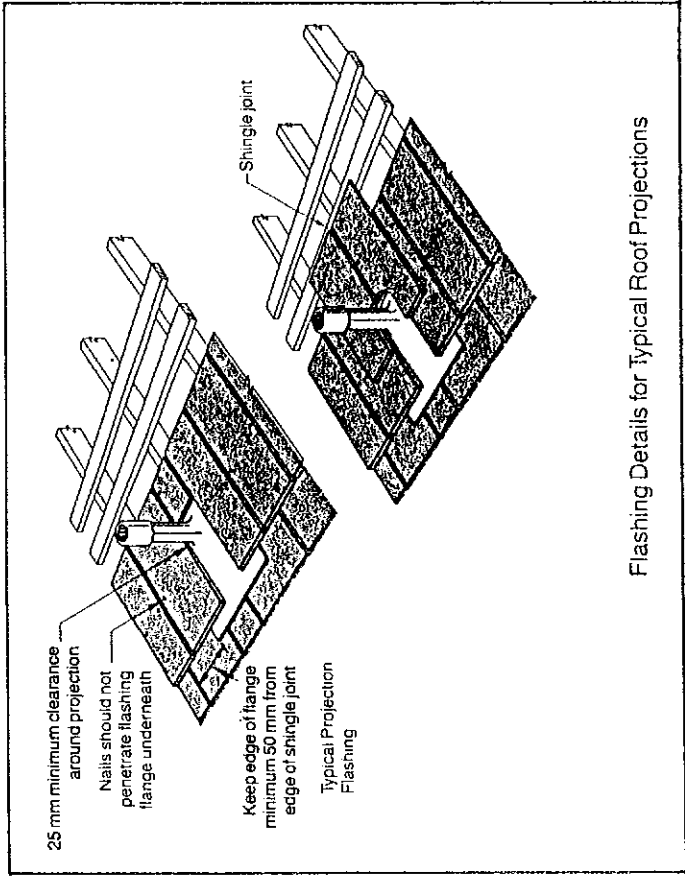
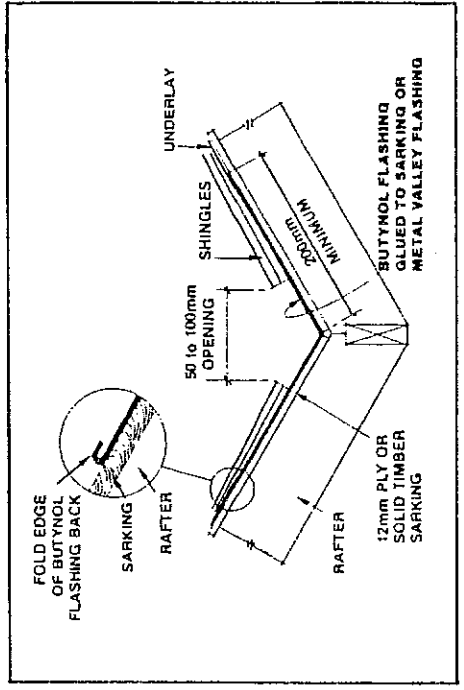
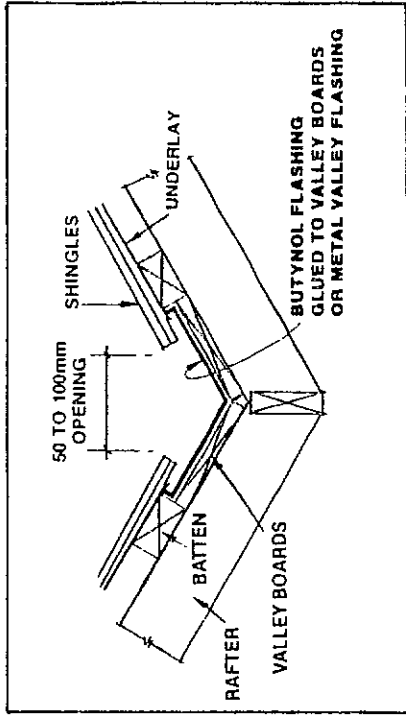
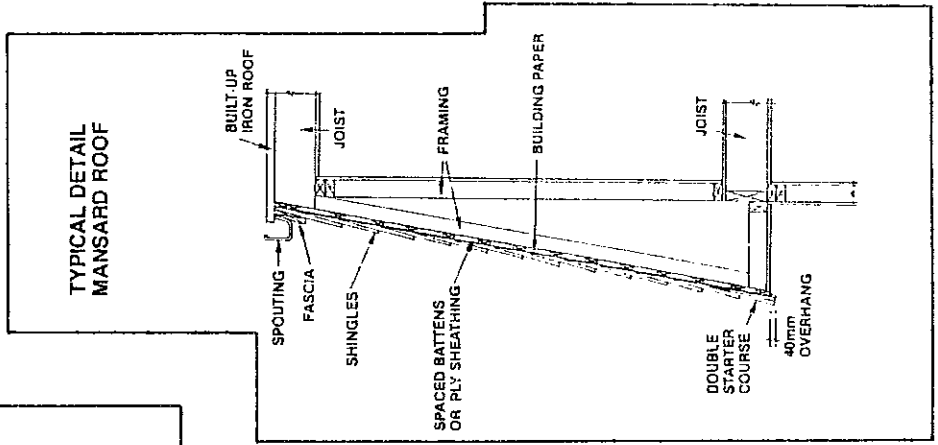
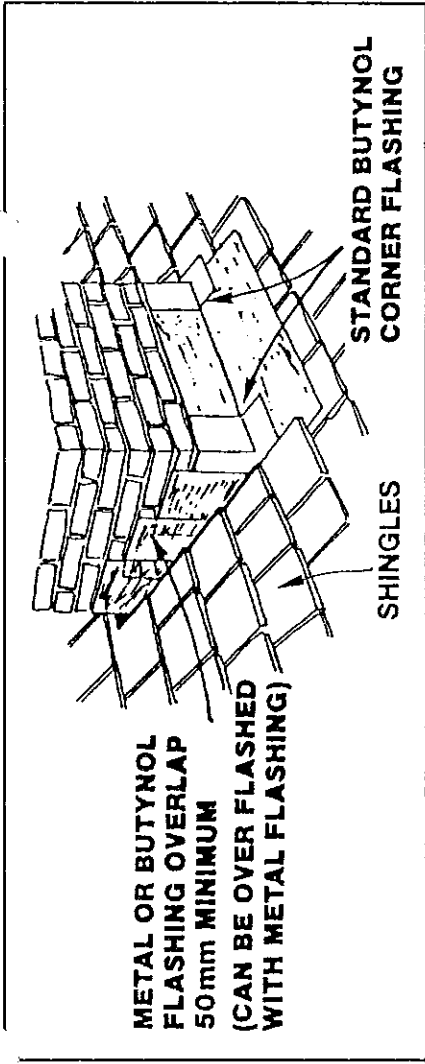
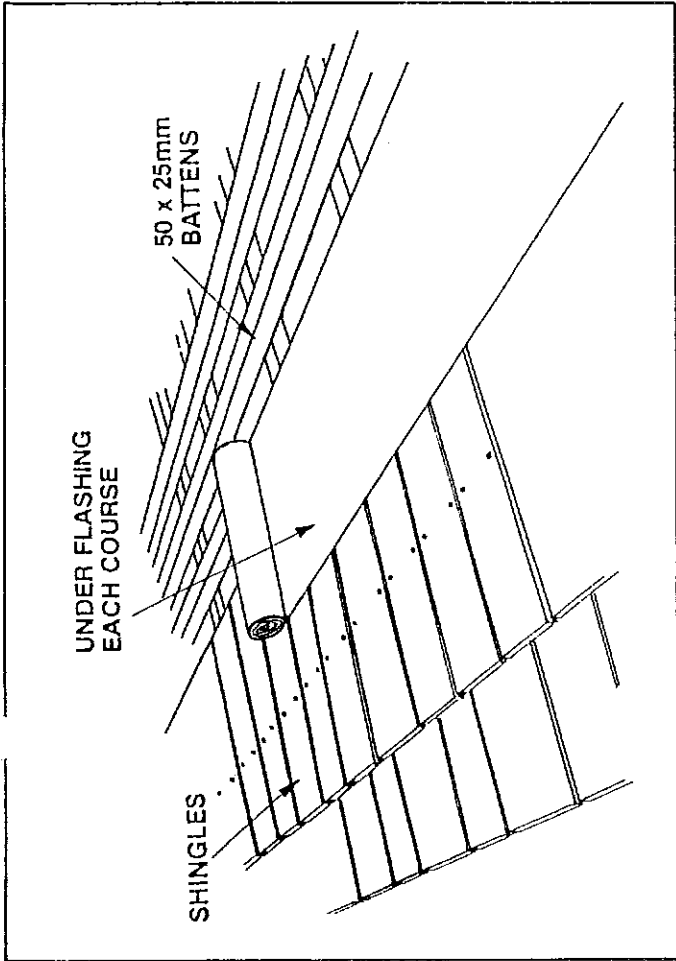


PLACE NAILS 25mm UP FROM EXPOSURE LINE. NAILS MUST PENETRATE BATTENS. IN ANY 3 COURSES, NO JOINTS SHOULD BE IN DIRECT ALIGNMENT.

4. CROSS SECTION

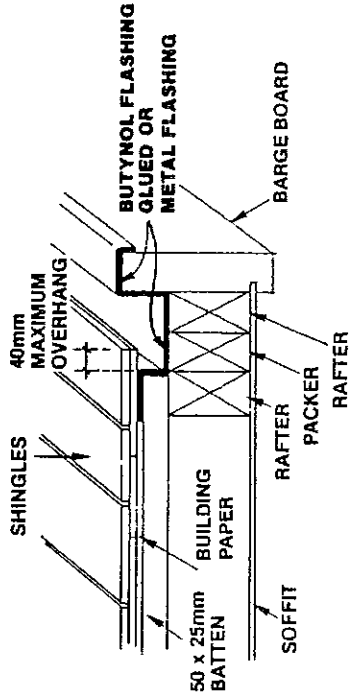




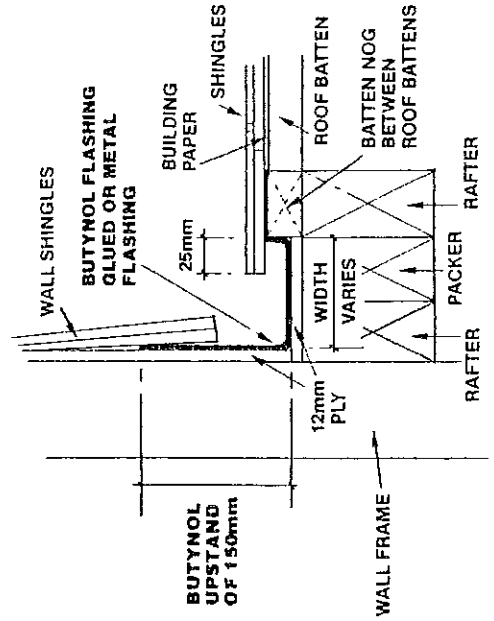


Flashing Details for Typical Roof Projections

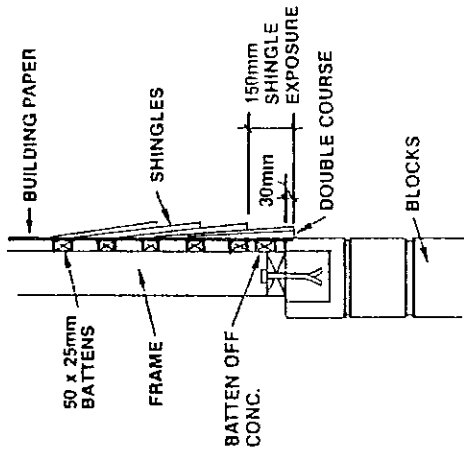
GABLE ENDS CONCEALED GUTTER EAVE DETAIL



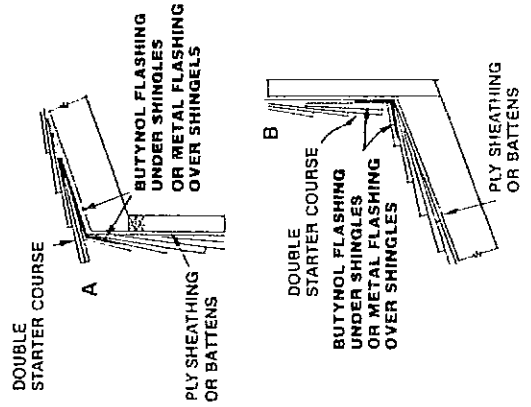
CONCEALED GUTTER DETAIL WALL TO ROOF JUNCTION



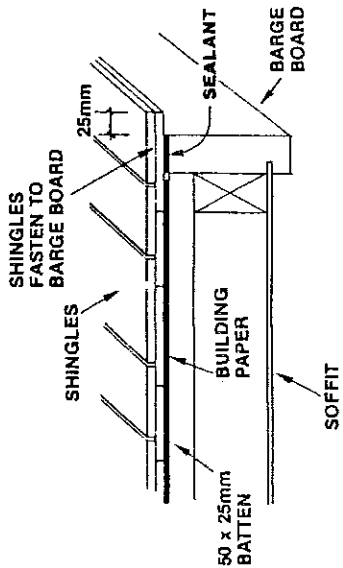
TYPICAL WALL DETAIL



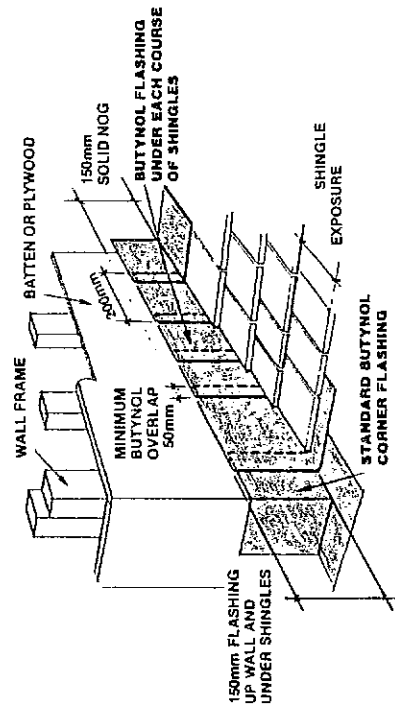
TYPICAL FLASHING DETAIL WALL TO ROOF



GABLE ENDS TYPICAL EAVE DETAIL

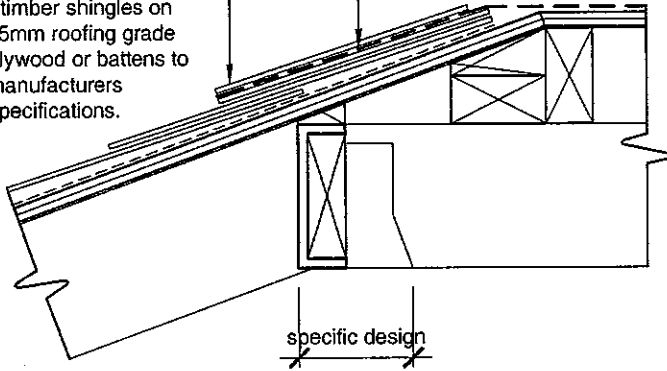


TYPICAL FLASHING DETAIL WALL TO ROOF



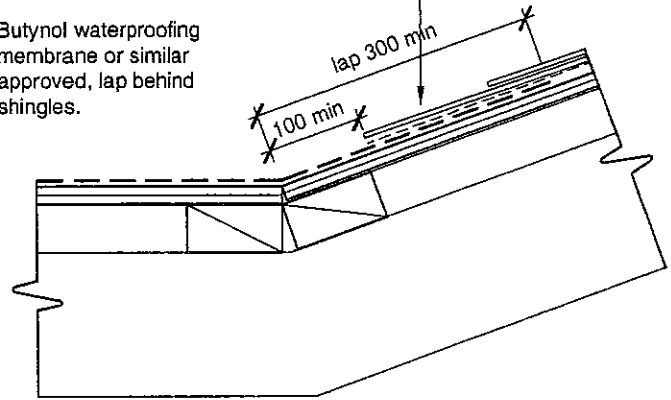
Butynol waterproofing membrane or similar approved, last shingle over butynol.

South Pacific Shingles - timber shingles on 15mm roofing grade plywood or battens to manufacturers specifications.



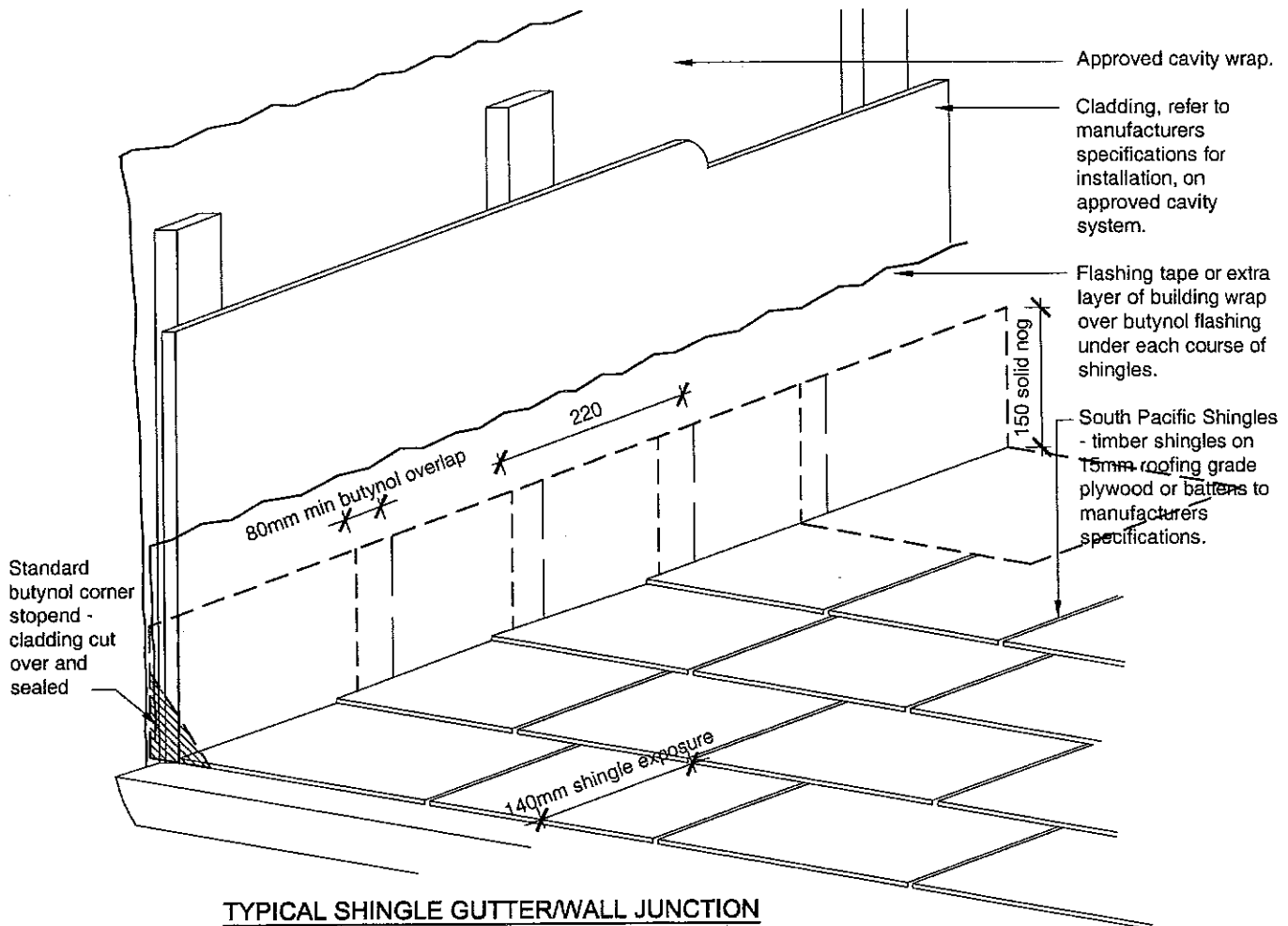
South Pacific Shingles - timber shingles on 15mm roofing grade plywood or battens to manufacturers specifications.

Butynol waterproofing membrane or similar approved, lap behind shingles.



TYPICAL SHINGLE ROOF/FLAT ROOF FLASHING

TYPICAL SHINGLE ROOF/FLAT ROOF FLASHING



TYPICAL SHINGLE GUTTER/WALL JUNCTION

South Pacific Shingles (2003) Ltd

Tel. 0-9-573-3017

Email: sales@southpacificshingles.co.nz

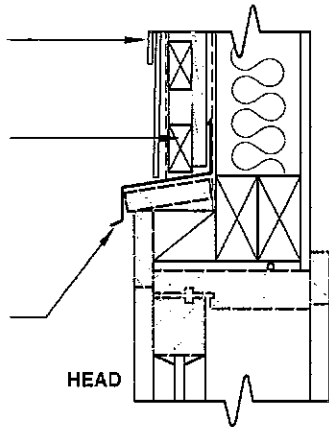
TIMBER SHINGLE ROOF DETAILS
NOT TO SCALE

All measurements on this drawing must be checked on building site. With this drawing SOUTH PACIFIC SHINGLES LTD provides only an idea and consequently has no influence on quality of the actual installation performed on the roof.

South Pacific Shingles
- timber shingles on
bldg paper

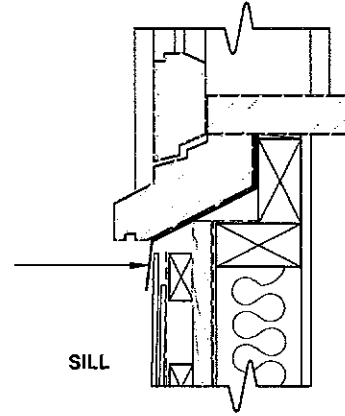
Plywood or battens to
manufacturers
specifications on
approved cavity
system on specified
underlay

Copper flashing or
similar



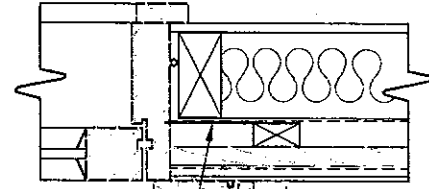
HEAD

Copper flashing or
similar



SILL

TYPICAL TIMBER JOINERY



Chase copper
flashing or similar
into jamb

JAMB

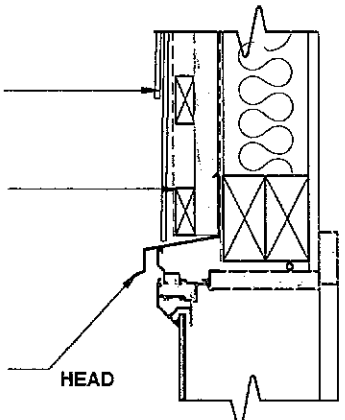
6x6 groove

South Pacific
Shingles - timber
shingles on bldg
paper on plywood
or battens to
manufacturers
specifications

South Pacific Shingles
- timber shingles on
bldg paper

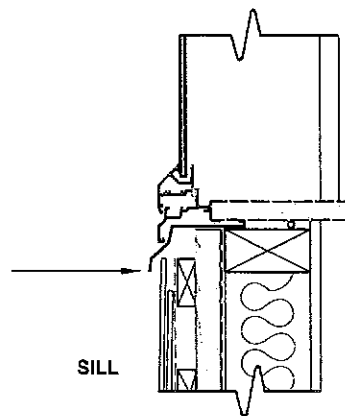
Plywood or battens to
manufacturers
specifications on
approved cavity
system on specified
underlay

Copper flashing or
similar



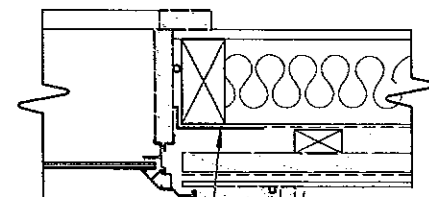
HEAD

Copper flashing or
similar



SILL

TYPICAL ALUMINIUM JOINERY



Chase copper
flashing or similar
into jamb

JAMB

6x6 groove

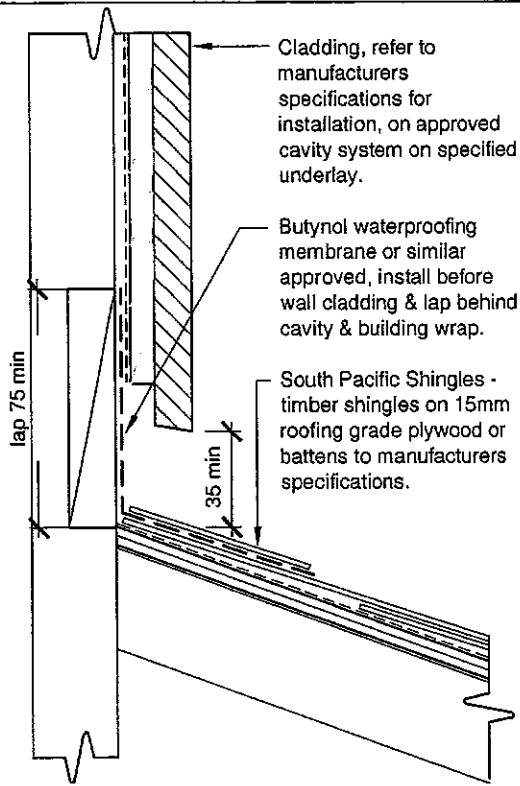
South Pacific
Shingles - timber
shingles on bldg
paper on plywood
or battens to
manufacturers
specifications

South Pacific Shingles (2003) Ltd

Tel. 0-9-573-3017

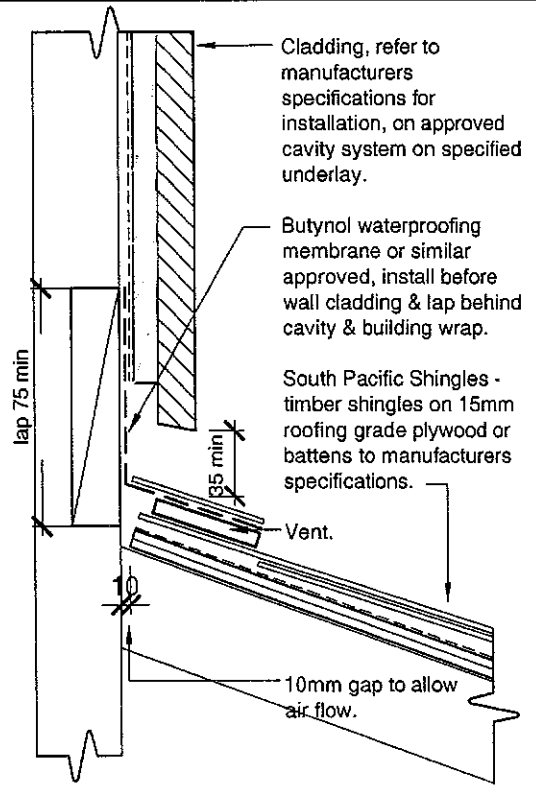
Email: sales@southpacificshingles.co.nz

TIMBER SHINGLE JOINERY DETAIL
NOT TO SCALE



TYPICAL SHINGLE APRON FLASHING - ROOF TO WALL

NOTE: This detail to be used for all "Roof to Wall" Junctions, regardless of cladding type.



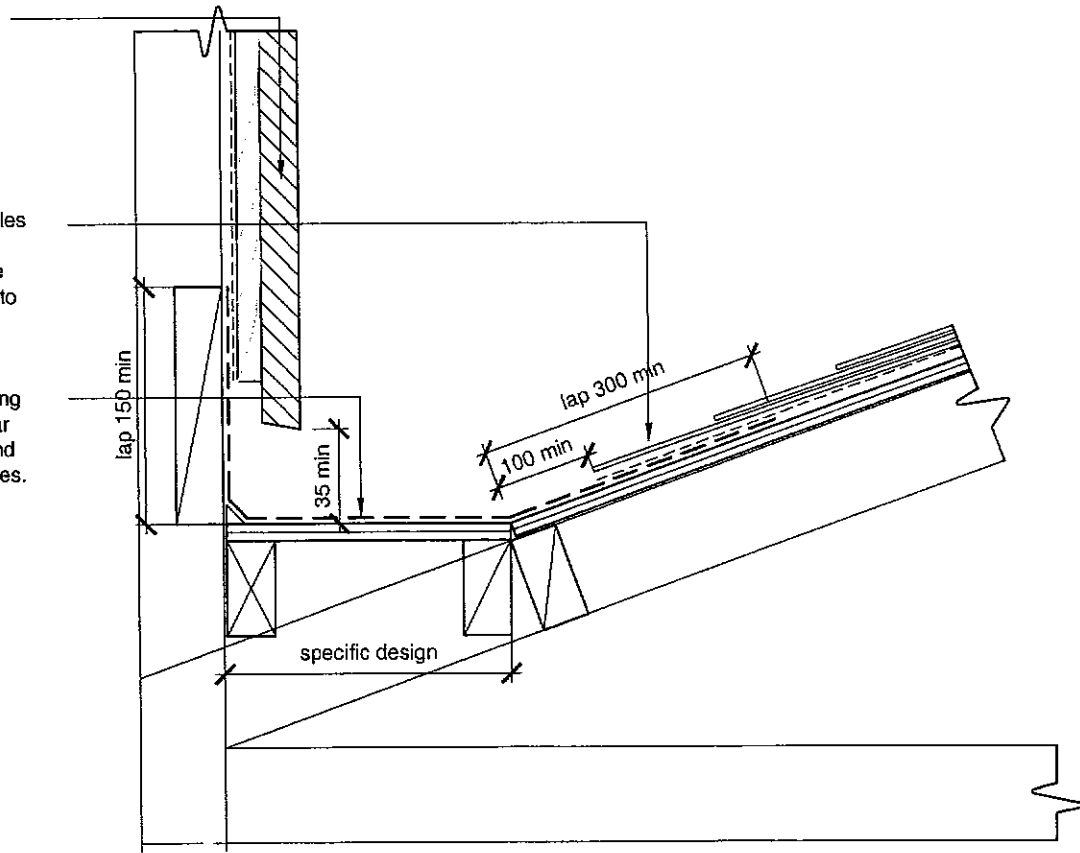
TYPICAL SHINGLE VENTED APRON FLASHING - ROOF TO WALL

NOTE: This detail to be used for all "Roof to Wall" Junctions, regardless of cladding type.

Cladding, refer to manufacturers specifications for installation, on approved cavity system on specified underlay.

South Pacific Shingles - timber shingles on 15mm roofing grade plywood or battens to manufacturers specifications.

Butynol waterproofing membrane or similar approved, lap behind cladding and shingles.



TYPICAL SHINGLE ROOF/CHIMNEY FLASHING

South Pacific Shingles (2003) Ltd

Tel. 0-9-573-3017
Email: sales@southpacificshingles.co.nz

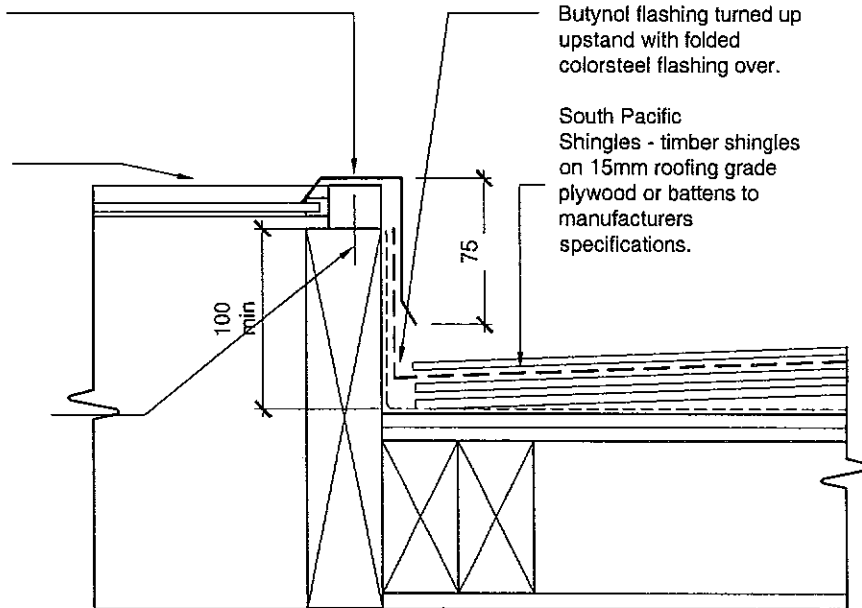
TIMBER SHINGLE APRON & CHIMNEY DETAILS
NOT TO SCALE

All measurements on this drawing must be checked on building site. With this drawing SOUTH PACIFIC SHINGLES LTD provides only an idea and consequently has no influence on quality of the actual installation performed on the roof.

0.55 colorsteel apron
flashing pop rivet fixed
upon a bead of sealant
over glazing bar & butynol
flashing.

Toughened overhead
glazing.

Screw fix roof glazing unit



JAMB

TYPICAL SHINGLE ROOF/SKYLIGHT JAMB DETAIL

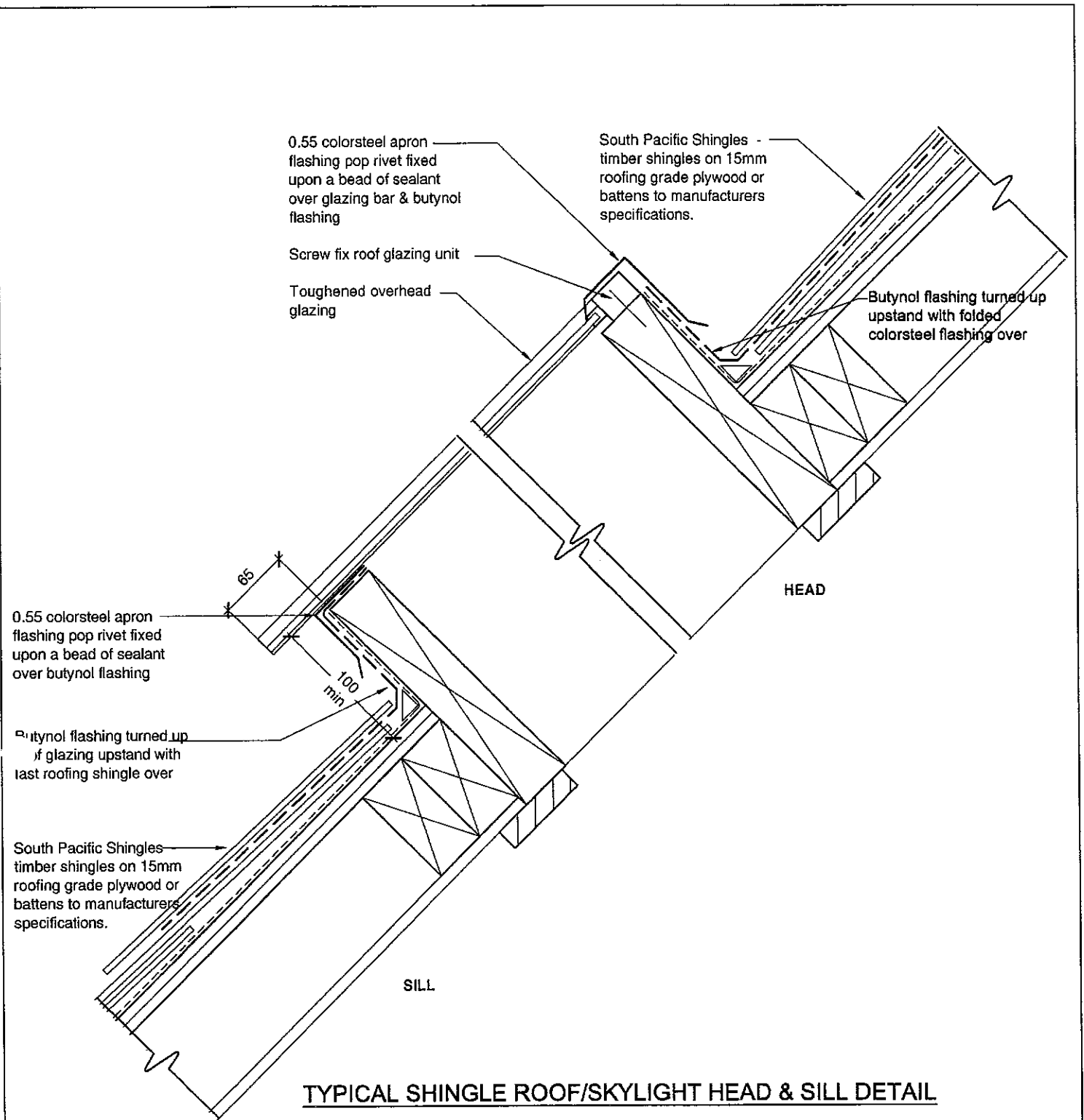
All measurements on this drawing must be checked on building site.
With this drawing SOUTH PACIFIC SHINGLES LTD provides only an
idea and consequently has no influence on quality of the actual
installation performed on the roof.

South Pacific Shingles (2003) Ltd

Tel. 0-9-573-3017

Email: sales@southpacificshingles.co.nz

TIMBER SHINGLE SKYLIGHT DETAILS
NOT TO SCALE



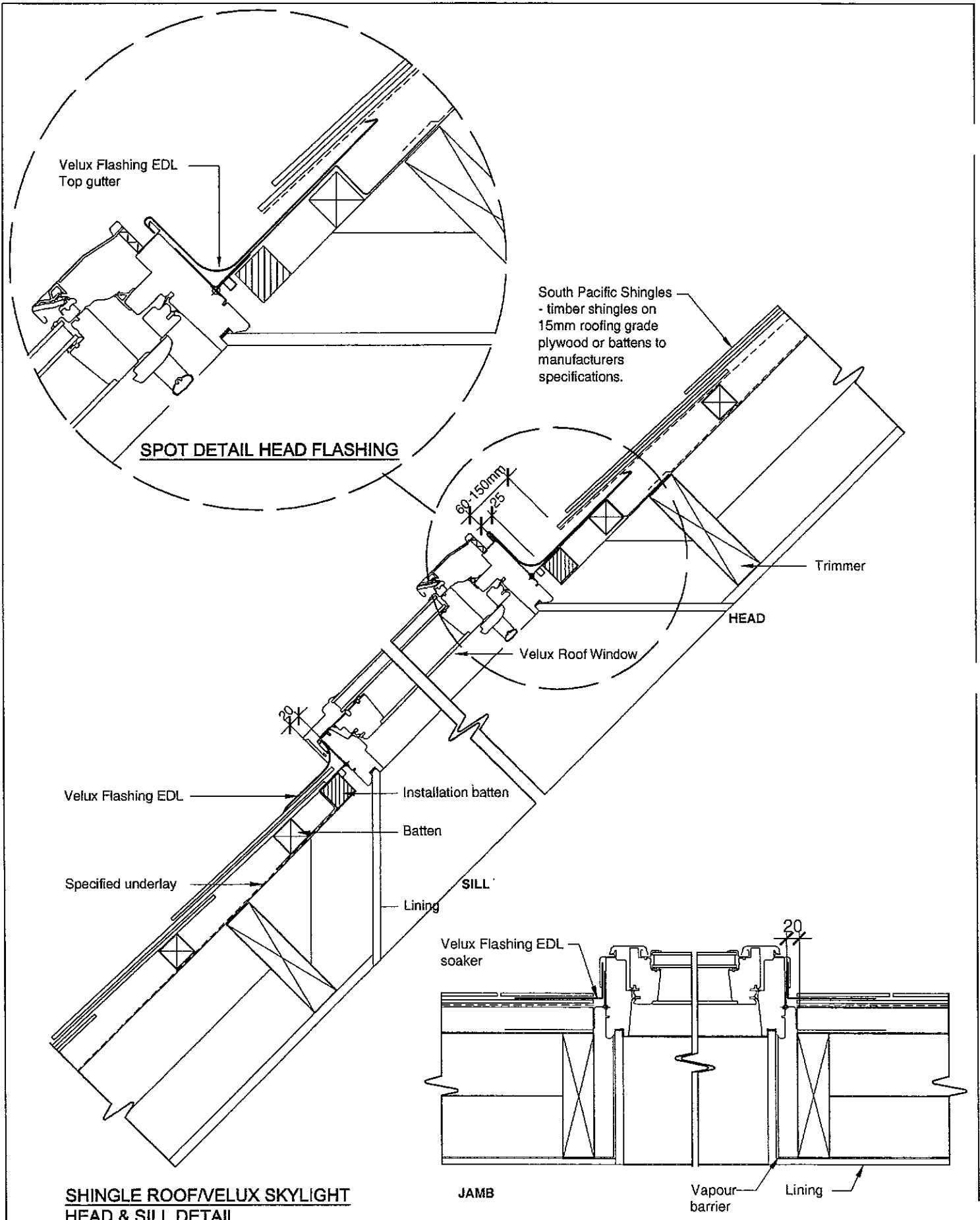
All measurements on this drawing must be checked on building site.
 With this drawing SOUTH PACIFIC SHINGLES LTD provides only an idea and consequently has no influence on quality of the actual installation performed on the roof.

South Pacific Shingles (2003) Ltd

Tel. 0-9-573-3017

Email: sales@southpacificshingles.co.nz

TIMBER SHINGLE SKYLIGHT DETAILS
 NOT TO SCALE



**SHINGLE ROOF/VELUX SKYLIGHT
HEAD & SILL DETAIL**

South Pacific Shingles (2003) Ltd

Tel. 0-9-573-3017
 Email: sales@southpacificshingles.co.nz

VELUX SKYLIGHT DETAILS
 NOT TO SCALE

All measurements on this drawing must be checked on building site.
 With this drawing SOUTH PACIFIC SHINGLES LTD provides only an
 idea and consequently has no influence on quality of the actual
 installation performed on the roof.