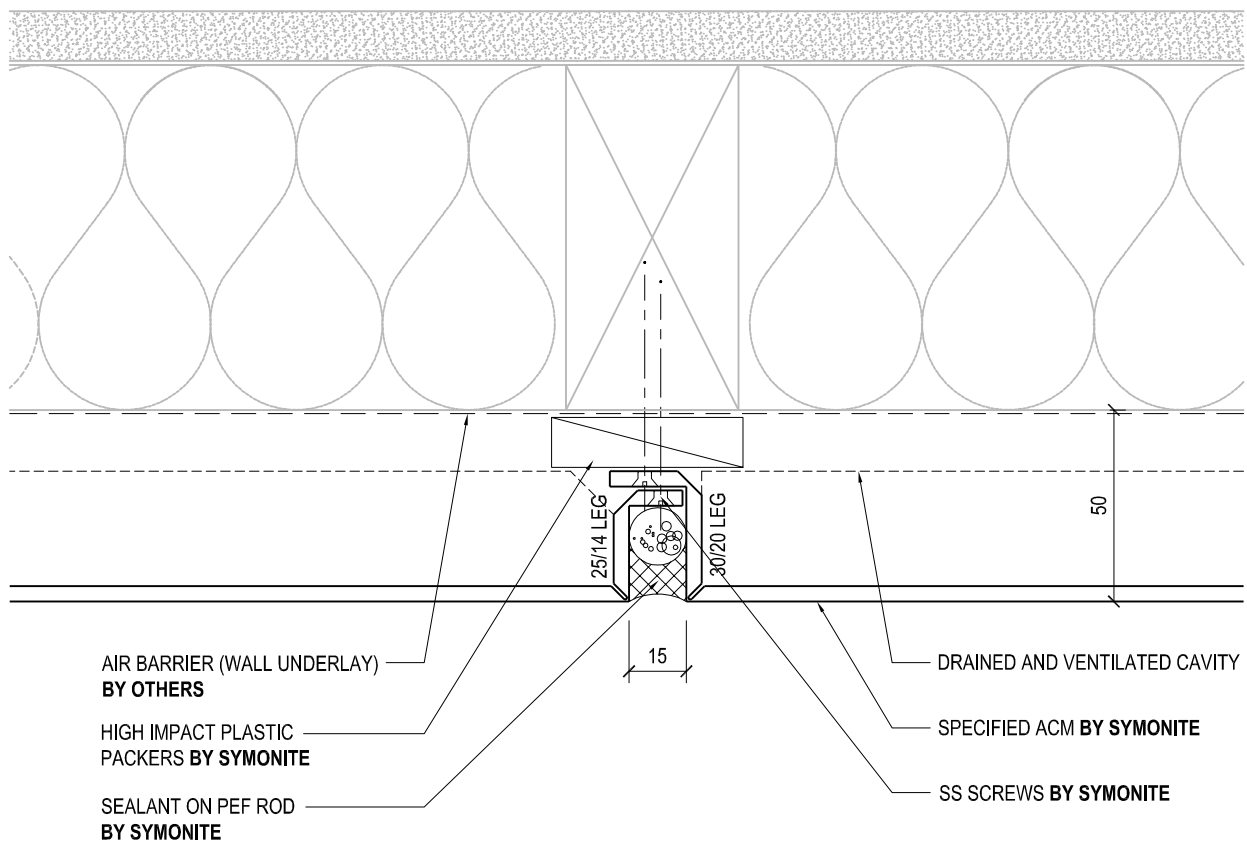
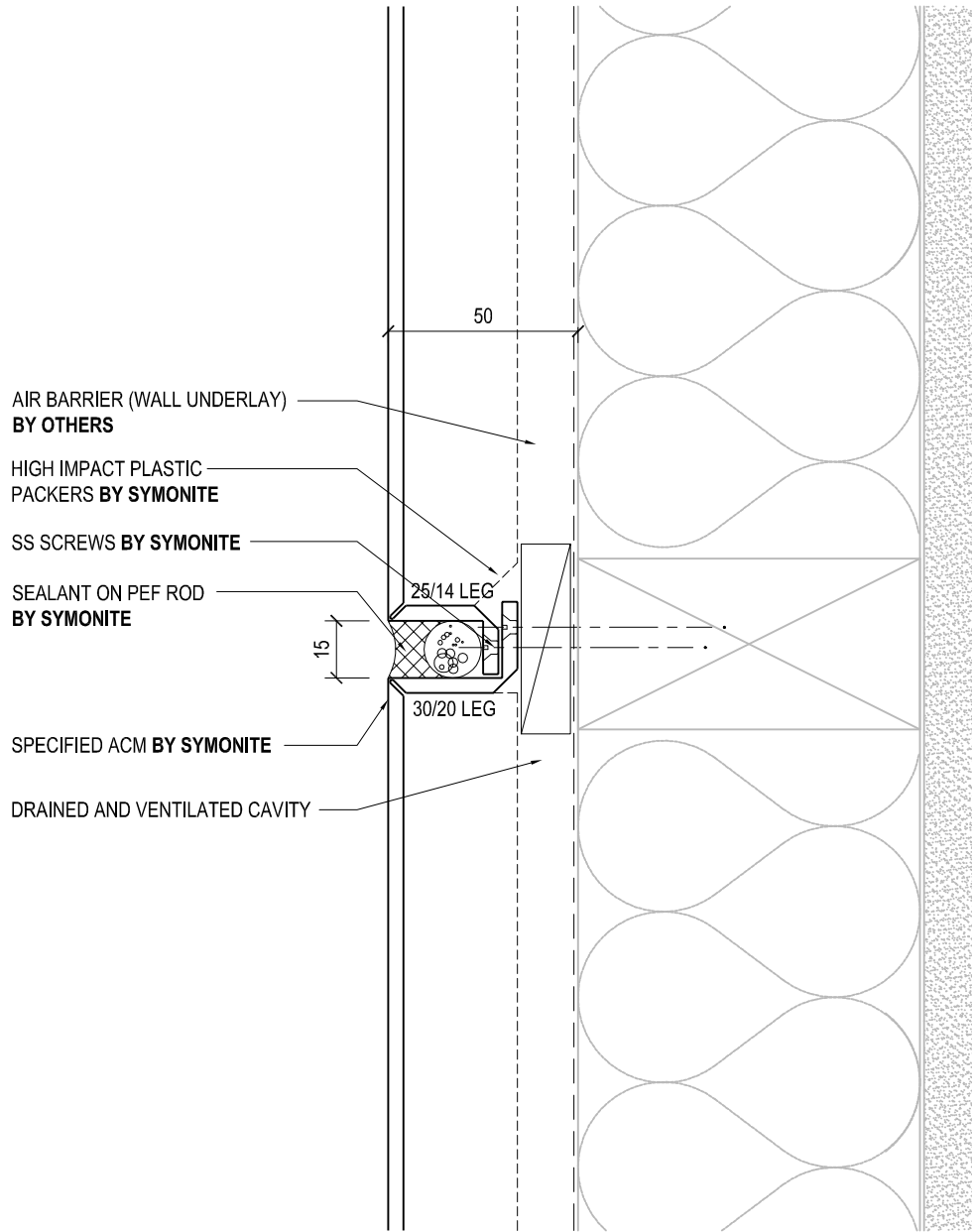


ROUT AND RETURN SYSTEM



SYMONITE	<small>DRAWING TITLE</small>	<small>DRAWING STATUS</small>					
	STANDARD VERTICAL JOINT DETAIL	ARCHITECTURAL RESOURCE	<table border="1" style="width: 100%; border-collapse: collapse;"> <tr> <td style="text-align: center; font-size: small;"><small>SHEET NO.</small></td> <td style="text-align: center; font-size: small;"><small>ISSUE</small></td> </tr> <tr> <td style="text-align: center; font-size: large;">01</td> <td style="text-align: center; font-size: large;">A</td> </tr> </table>	<small>SHEET NO.</small>	<small>ISSUE</small>	01	A
	<small>SHEET NO.</small>	<small>ISSUE</small>					
01	A						
	SCALE: 1:2	DATE: DECEMBER 2014					

ROUT AND RETURN SYSTEM



SYMONITE

DRAWING TITLE

STANDARD HORIZONTAL JOINT DETAIL

DRAWING STATUS

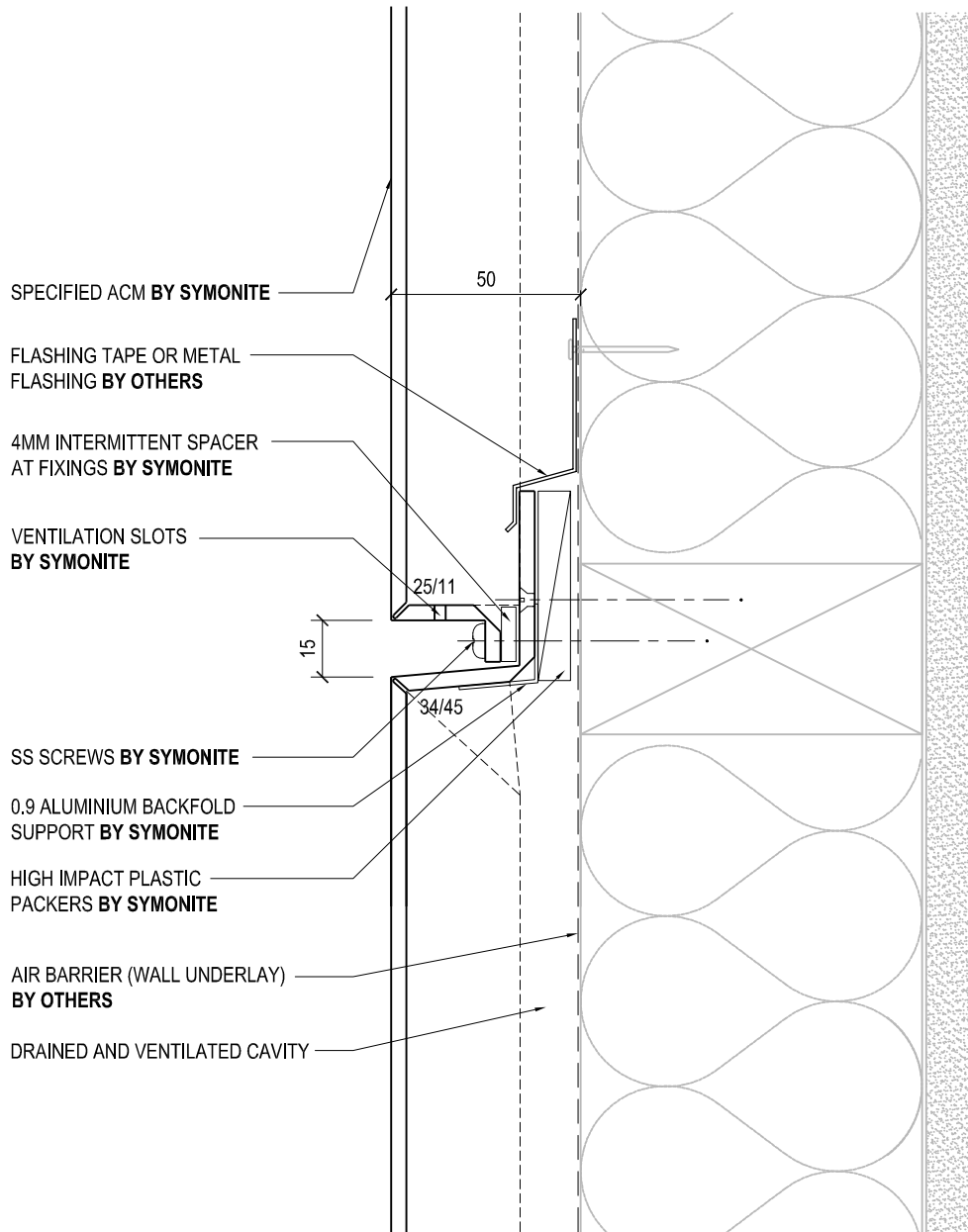
ARCHITECTURAL RESOURCE

<small>SHEET NO.</small>	<small>ISSUE</small>
02	A

SCALE: 1:2

DATE: DECEMBER 2014

ROUT AND RETURN SYSTEM



NOTE

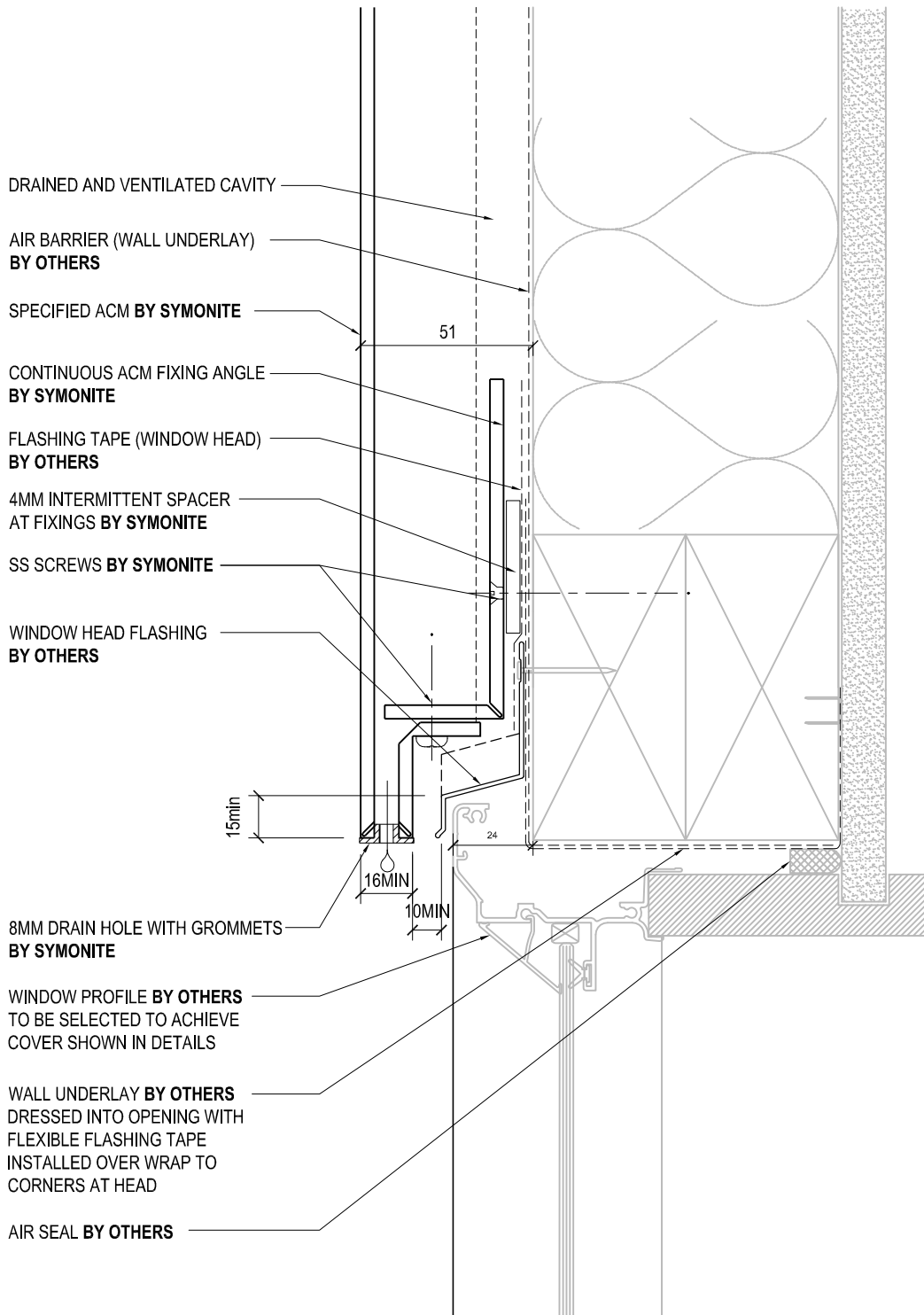
- OPEN DRAINAGE JOINT IS ONLY REQUIRED ON HIGHRISE BUILDINGS AT EVERY SECOND FLOOR LEVEL. FOR BUILDINGS WHERE THE ACM WALL SPANS OVER MORE THAN 3 STOREYS HIGH



<small>DRAWING TITLE</small>	<small>DRAWING STATUS</small>
15mm OPEN JOINT DETAIL	ARCHITECTURAL RESOURCE
	SCALE: 1:2

<small>SHEET NO.</small>	<small>ISSUE</small>
03	A
<small>DATE: DECEMBER 2014</small>	

ROUT AND RETURN SYSTEM



DRAWING TITLE

**RESIDENTIAL WINDOW HEAD
DETAIL**

DRAWING STATUS

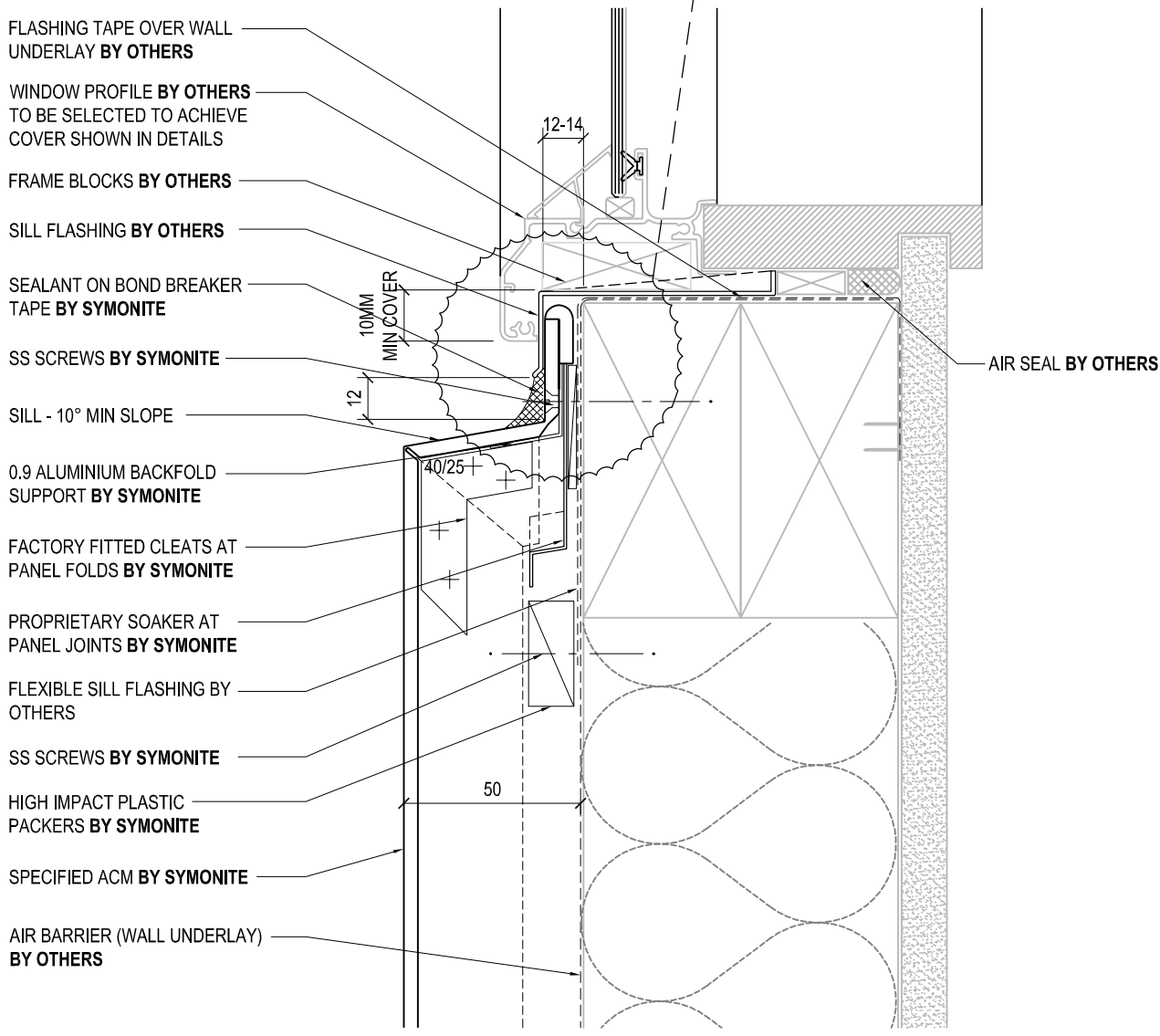
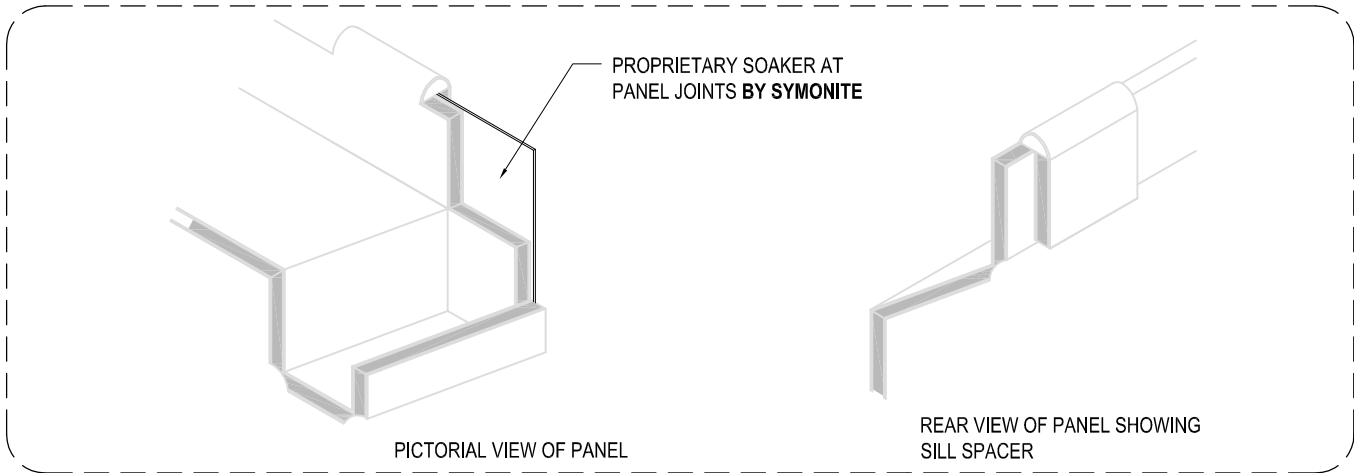
**ARCHITECTURAL
RESOURCE**

SHEET NO.	ISSUE
04	A

SCALE: 1:2

DATE: DECEMBER 2014

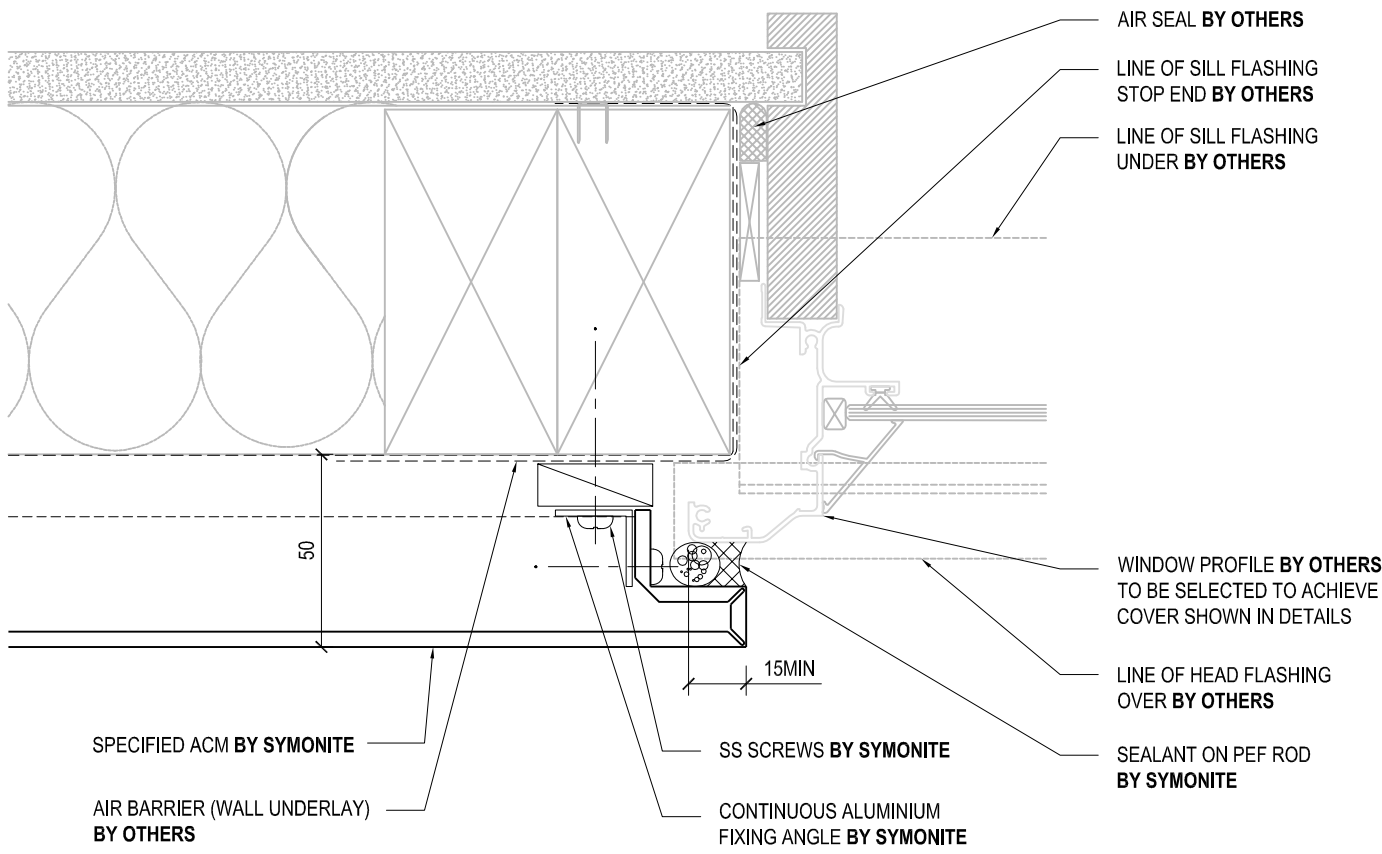
ROUT AND RETURN SYSTEM



DRAWING TITLE	RESIDENTIAL WINDOW SILL DETAIL		
---------------	--------------------------------	--	--

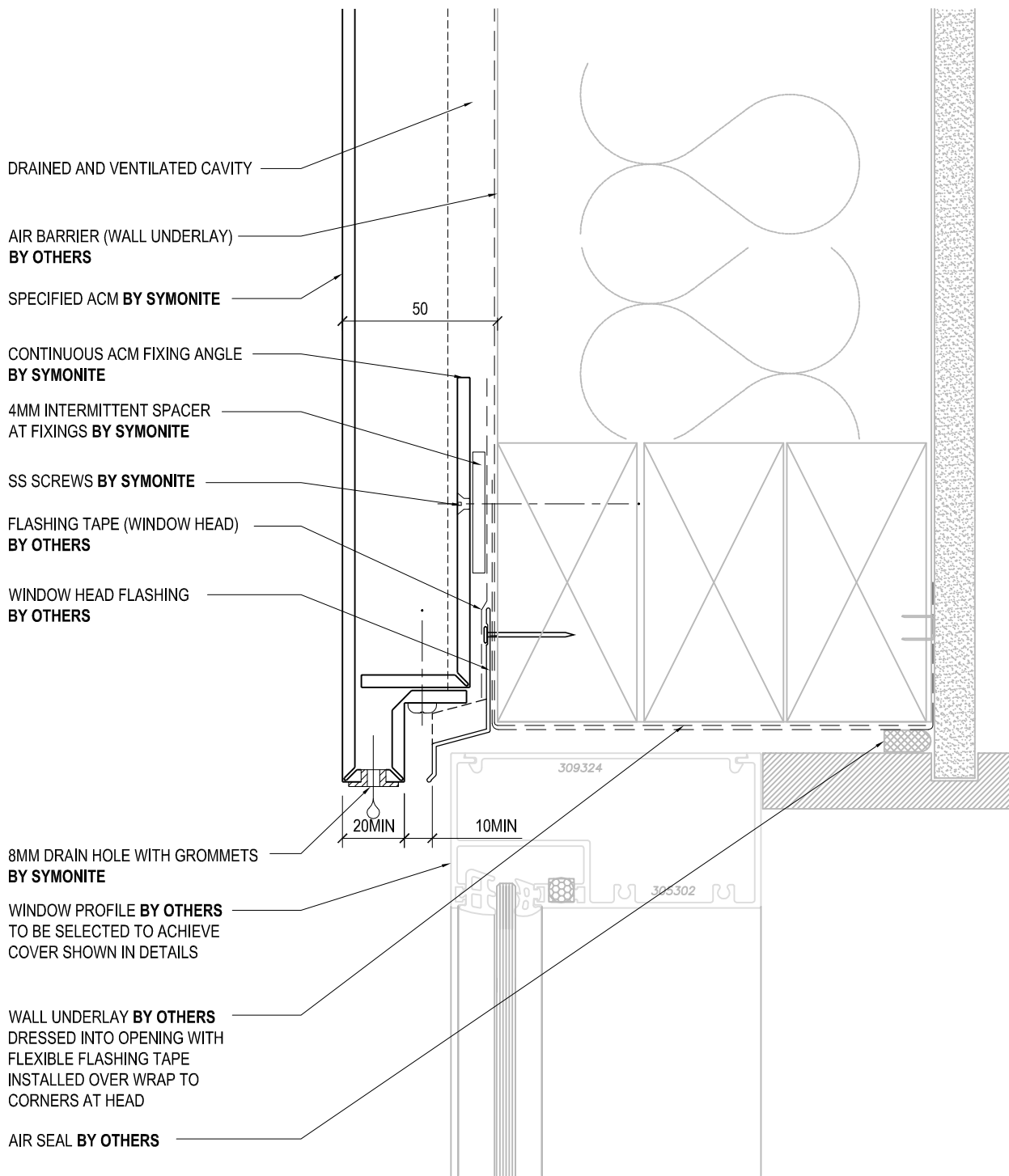
DRAWING STATUS	ARCHITECTURAL RESOURCE	
SHEET NO.	05	ISSUE A
SCALE: 1:2	DATE: DECEMBER 2014	

ROUT AND RETURN SYSTEM



DRAWING TITLE	DRAWING STATUS		
RESIDENTIAL WINDOW JAMB DETAIL	ARCHITECTURAL RESOURCE	SHEET NO. 06	ISSUE A
	SCALE: 1:2	DATE: DECEMBER 2014	

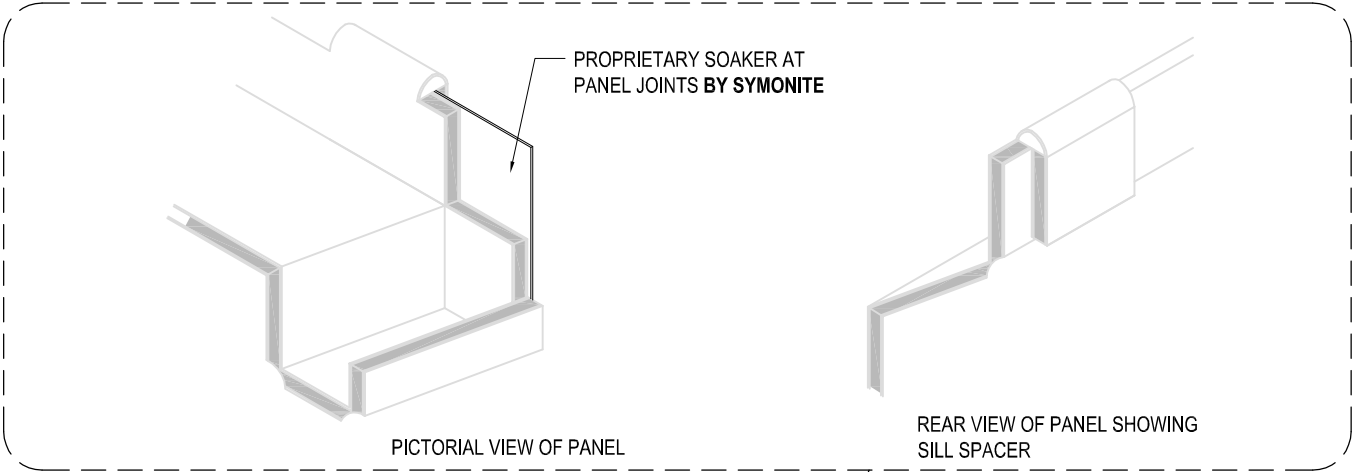
ROUT AND RETURN SYSTEM



DRAWING TITLE	COMMERCIAL WINDOW HEAD DETAIL		
----------------------	--------------------------------------	--	--

DRAWING STATUS	ARCHITECTURAL RESOURCE	SHEET NO. 07	ISSUE A
SCALE: 1:2		DATE: DECEMBER 2014	

ROUT AND RETURN SYSTEM



FLASHING TAPE OVER WALL UNDERLAY BY OTHERS

WINDOW PROFILE BY OTHERS TO BE SELECTED TO ACHIEVE COVER SHOWN IN DETAILS

AIR SEAL BY OTHERS

ALUMINIUM SILL TRAY BY OTHERS

SEALANT ON BOND BREAKER TAPE BY SYMONITE

SILL - 10° MIN SLOPE

0.9 ALUMINIUM BACKFOLD SUPPORT BY SYMONITE

SS SCREWS BY SYMONITE

PROPRIETARY SOAKER AT PANEL JOINTS BY SYMONITE

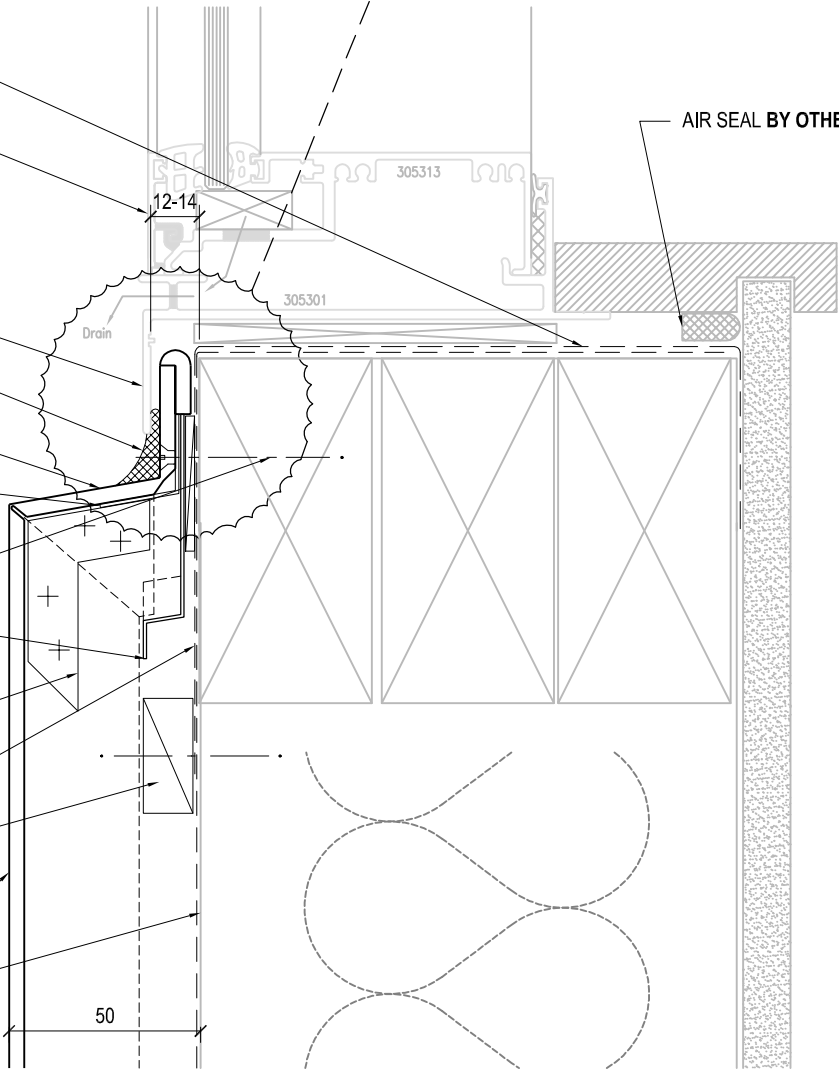
FACTORY FITTED CLEATS AT PANEL FOLDS BY SYMONITE

FLEXIBLE SILL FLASHING BY OTHERS

HIGH IMPACT PLASTIC PACKERS BY SYMONITE

SPECIFIED ACM BY SYMONITE

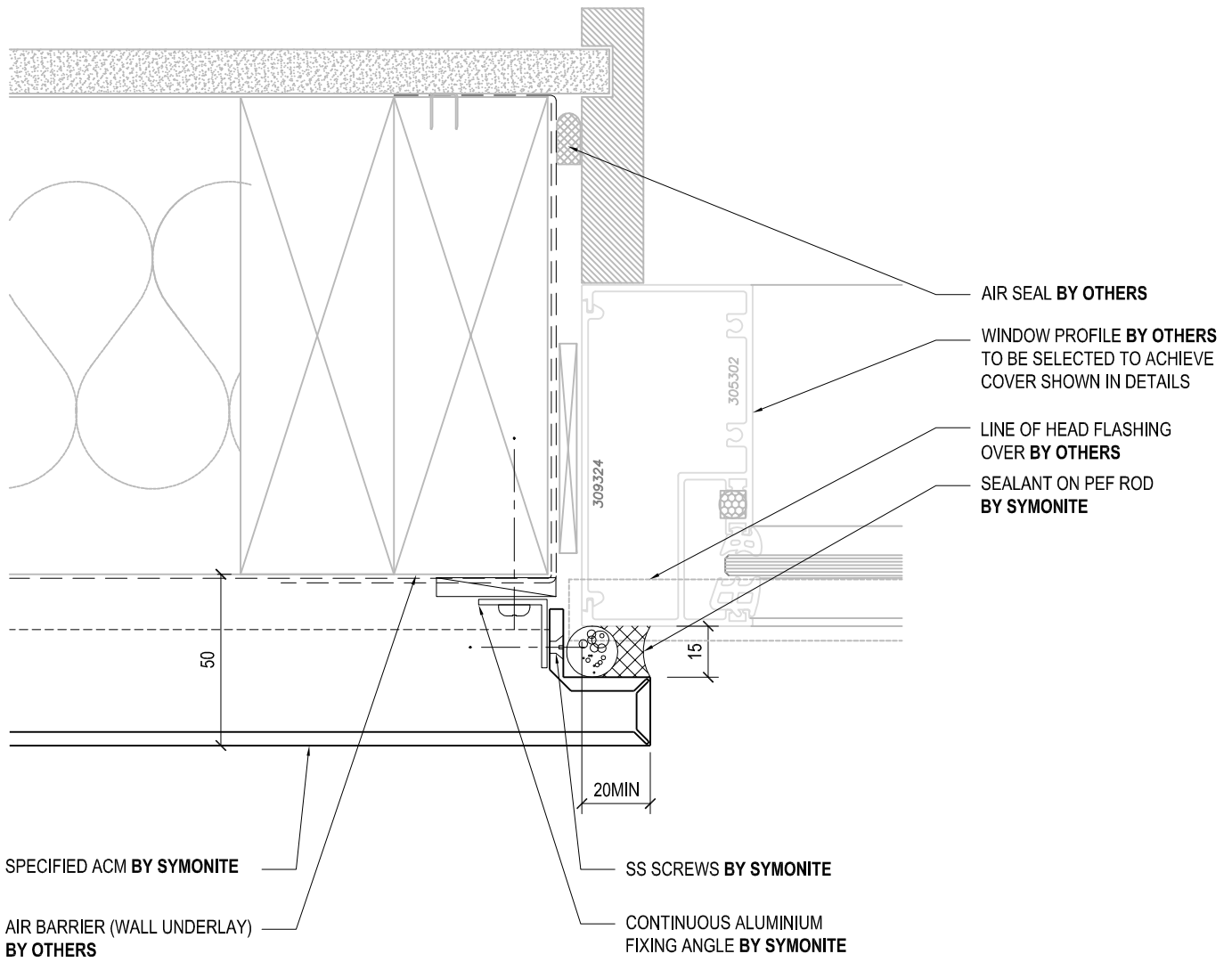
AIR BARRIER (WALL UNDERLAY) BY OTHERS



DRAWING TITLE	COMMERCIAL WINDOW SILL DETAIL		
---------------	-------------------------------	--	--

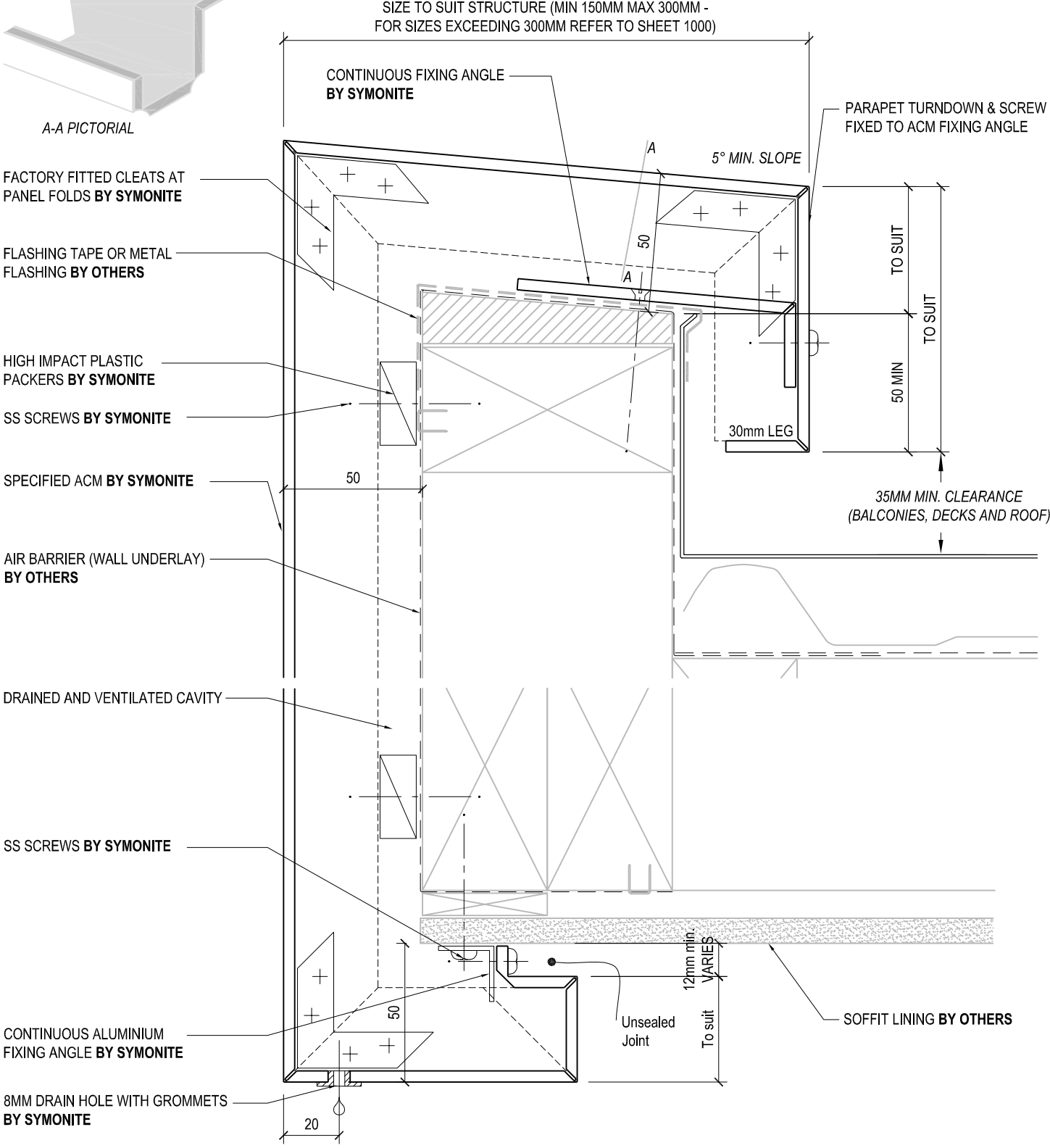
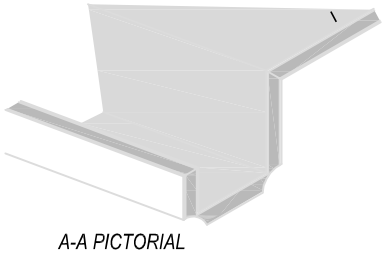
DRAWING STATUS	ARCHITECTURAL RESOURCE	SHEET NO. 08	ISSUE A
SCALE: 1:2	DATE: DECEMBER 2014		

ROUT AND RETURN SYSTEM



DRAWING TITLE	COMMERCIAL WINDOW JAMB DETAIL		
	DRAWING STATUS		
ARCHITECTURAL RESOURCE	SHEET NO. 09	ISSUE A	
SCALE: 1:2	DATE: DECEMBER 2014		

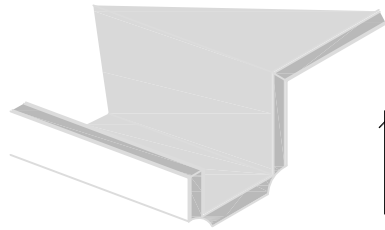
ROUT AND RETURN SYSTEM



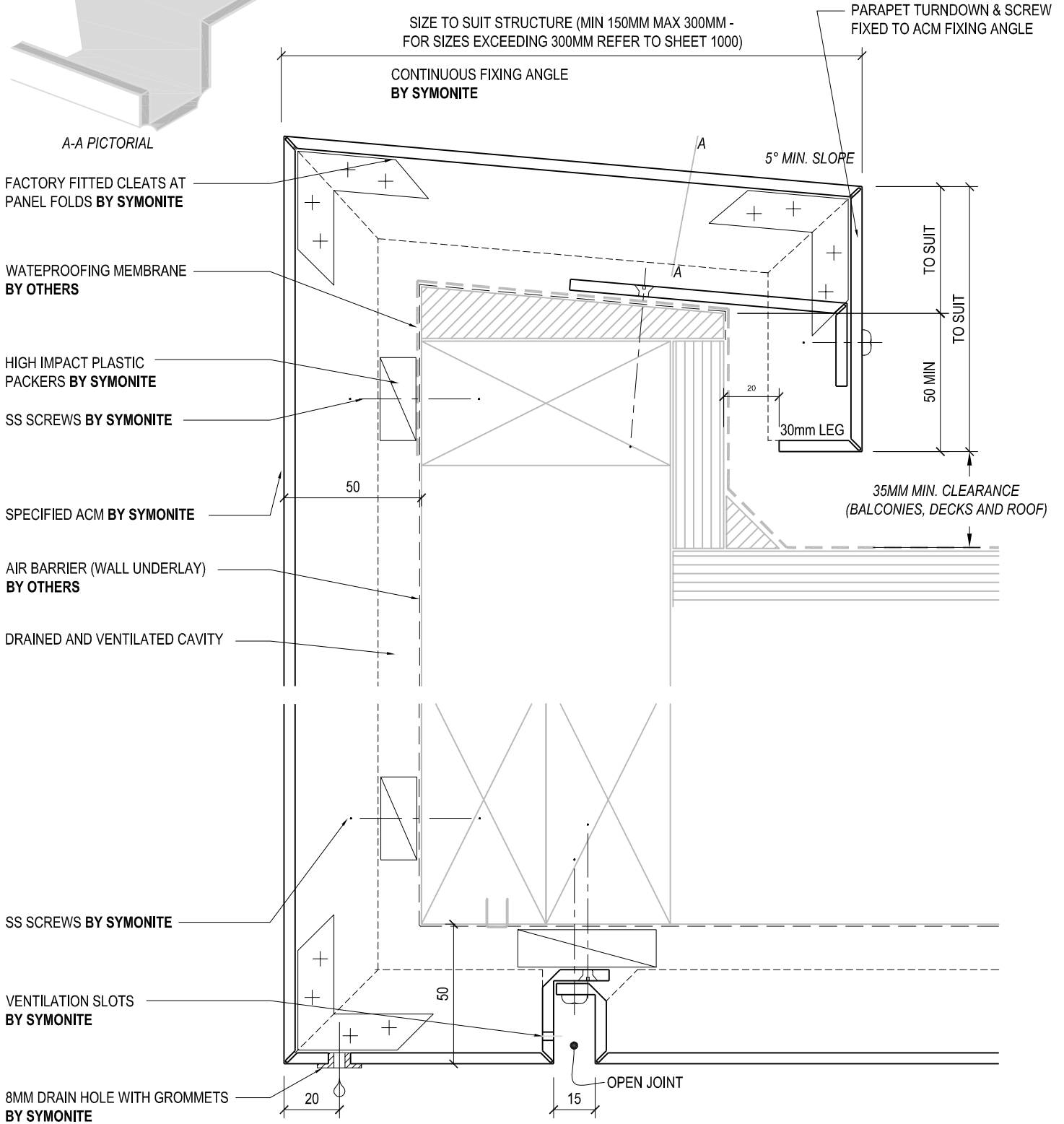
DRAWING TITLE	FASCIA AND SOFFIT DETAIL		
---------------	--------------------------	--	--

DRAWING STATUS	ARCHITECTURAL RESOURCE	
SHEET NO.	10	ISSUE A
SCALE: 1:2	DATE: DECEMBER 2014	

ROUT AND RETURN SYSTEM



A-A PICTORIAL



DRAWING TITLE

FASCIA AND SOFFIT DETAIL

DRAWING STATUS

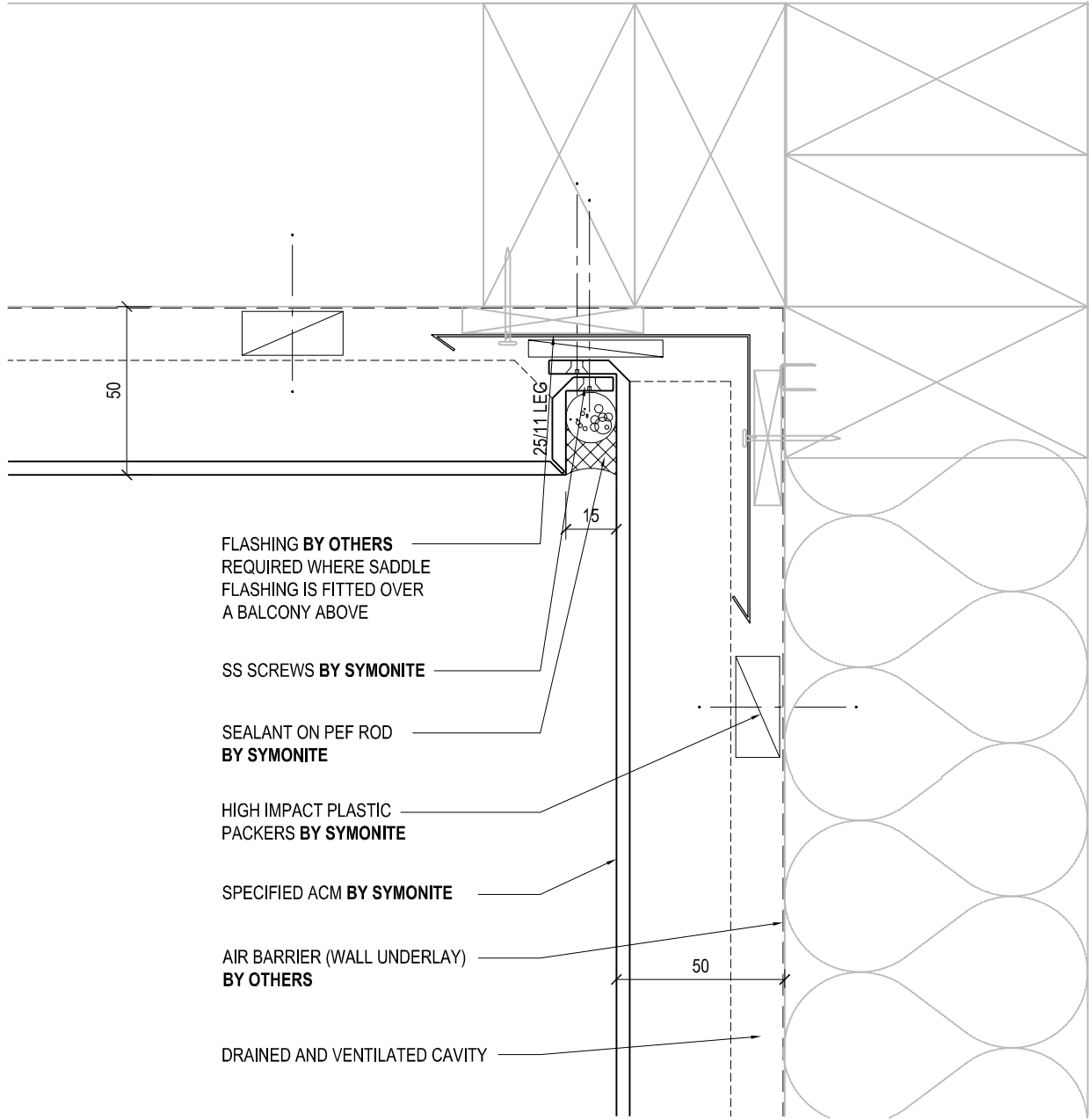
ARCHITECTURAL RESOURCE

SHEET NO.	ISSUE
11	A

SCALE: 1:2

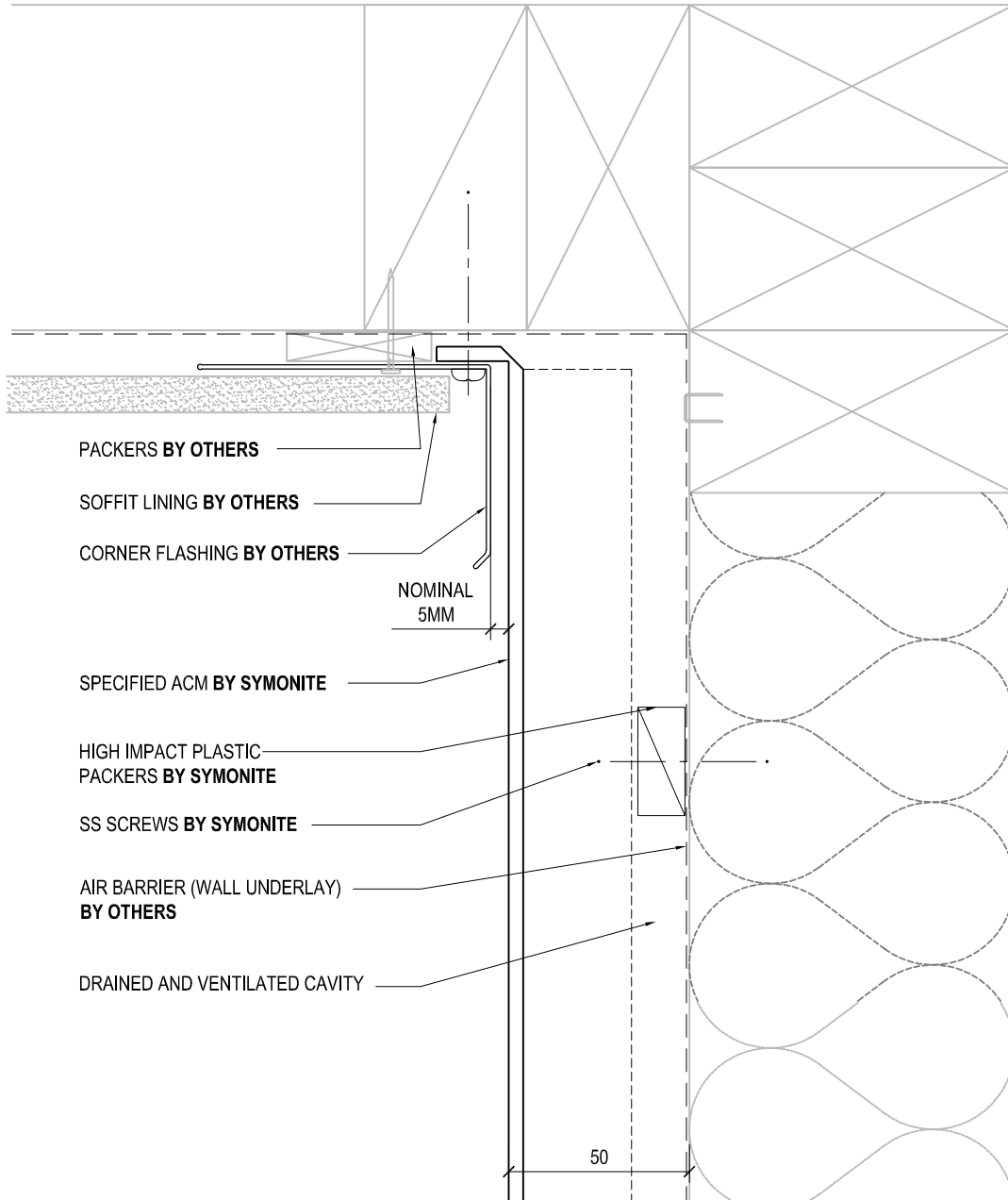
DATE: DECEMBER 2014

ROUT AND RETURN SYSTEM



DRAWING TITLE	DRAWING STATUS		
SOFFIT / WALL JUNCTION DETAIL	ARCHITECTURAL RESOURCE		SHEET NO. 12
	SCALE: 1:2		ISSUE A
		DATE: DECEMBER 2014	

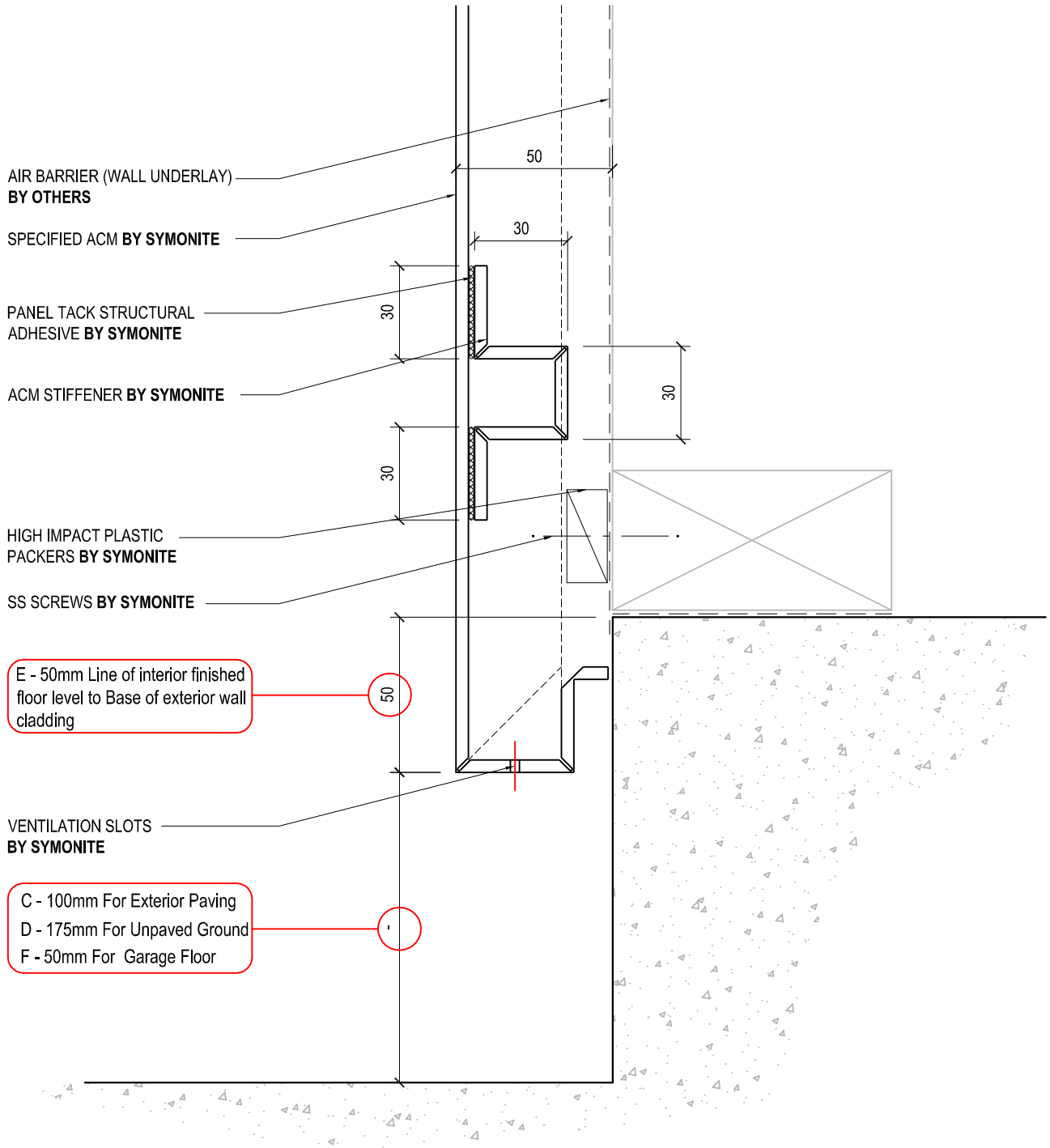
ROUT AND RETURN SYSTEM



DRAWING TITLE	SOFFIT / WALL JUNCTION DETAIL		
----------------------	--------------------------------------	--	--

DRAWING STATUS	ARCHITECTURAL RESOURCE	SHEET NO. 13	ISSUE A
SCALE: 1:2		DATE: DECEMBER 2014	

ROUT AND RETURN SYSTEM



DRAWING TITLE

BASE CLEARANCE DETAIL 1

DRAWING STATUS

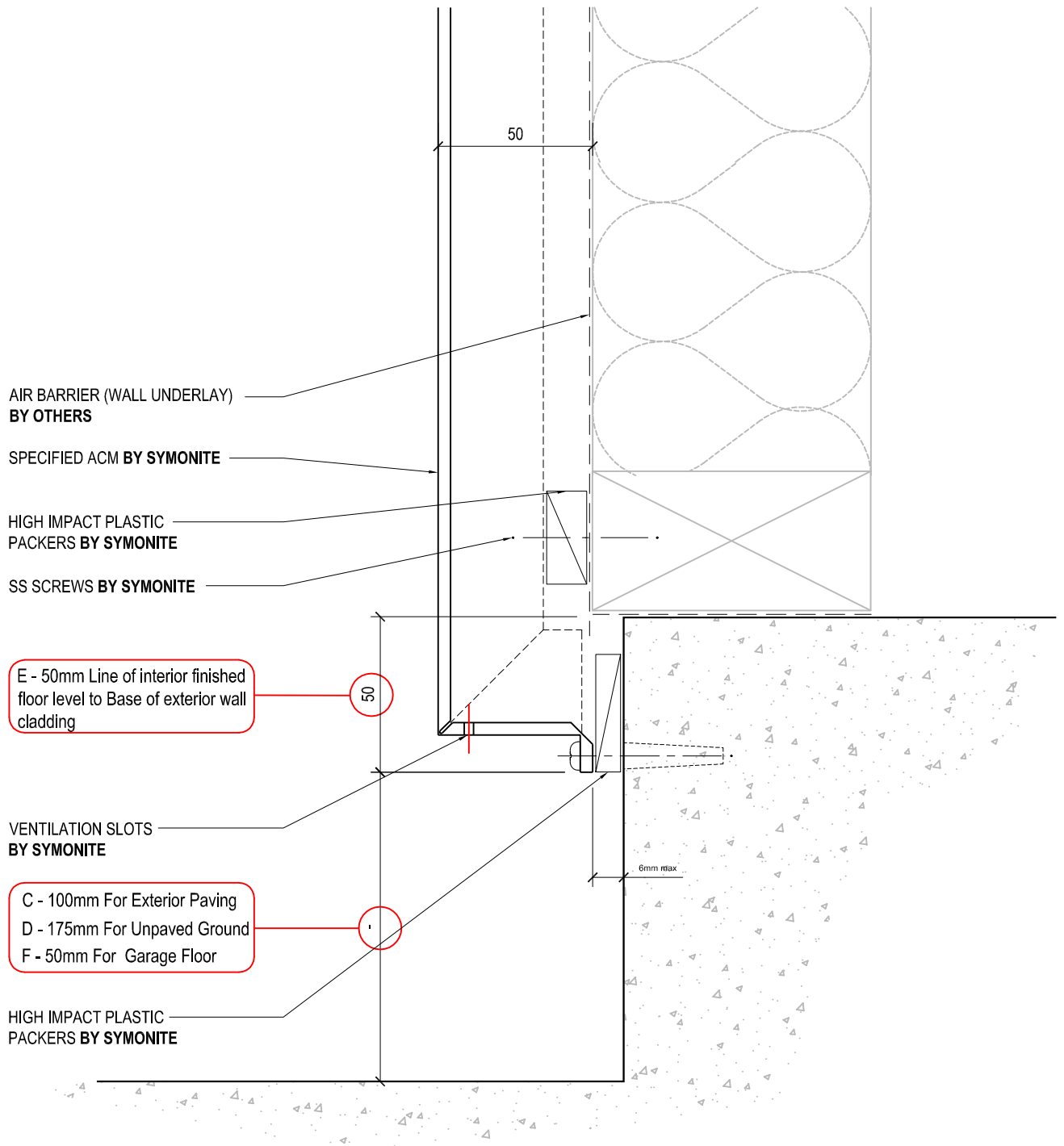
ARCHITECTURAL RESOURCE

SHEET NO. 14	ISSUE A
------------------------	-------------------

SCALE: 1:2

DATE: DECEMBER 2014

ROUT AND RETURN SYSTEM



DRAWING TITLE

BASE CLEARANCE DETAIL 2

DRAWING STATUS

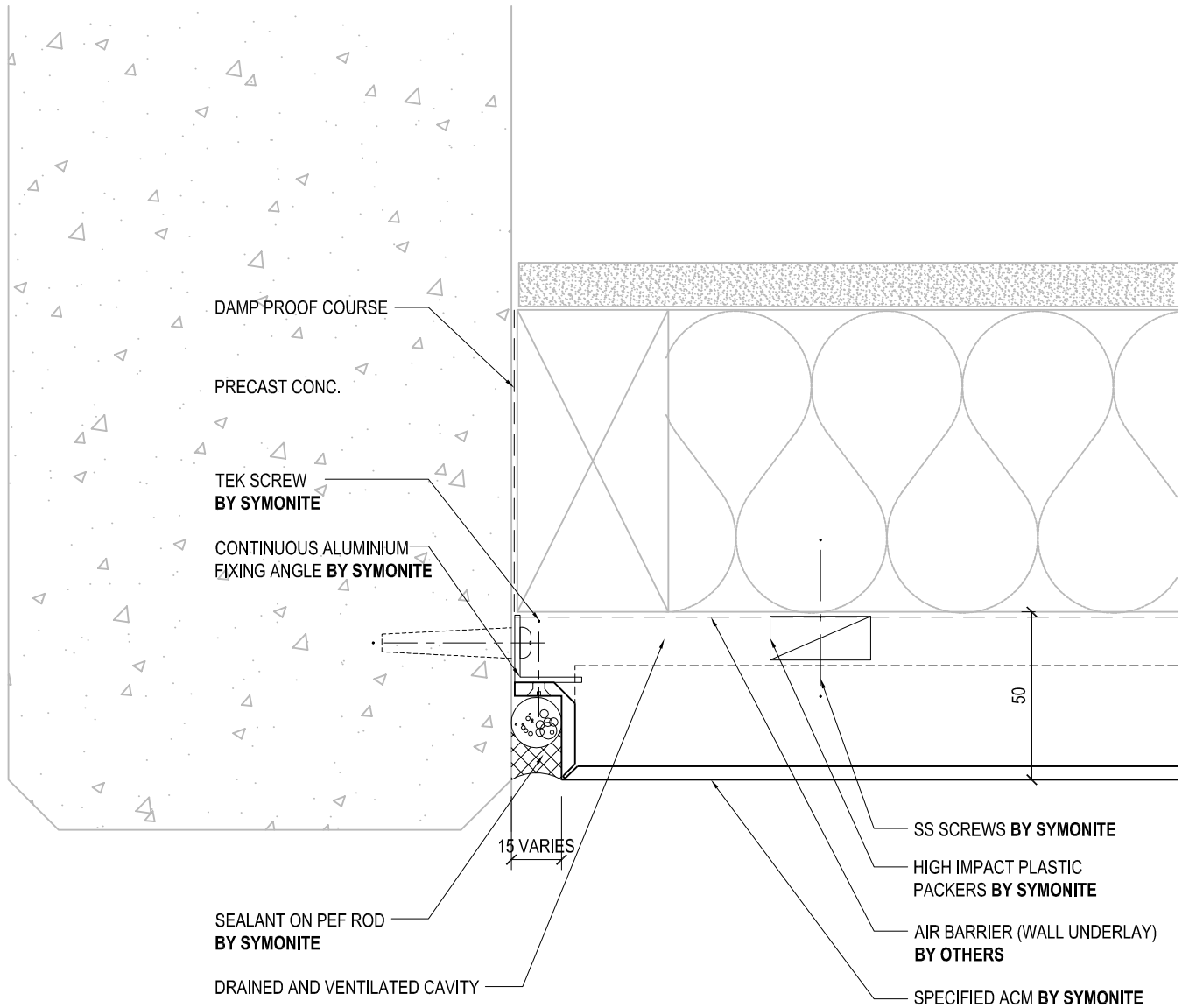
ARCHITECTURAL RESOURCE

<small>SHEET NO.</small>	<small>ISSUE</small>
15	A

SCALE: 1:2

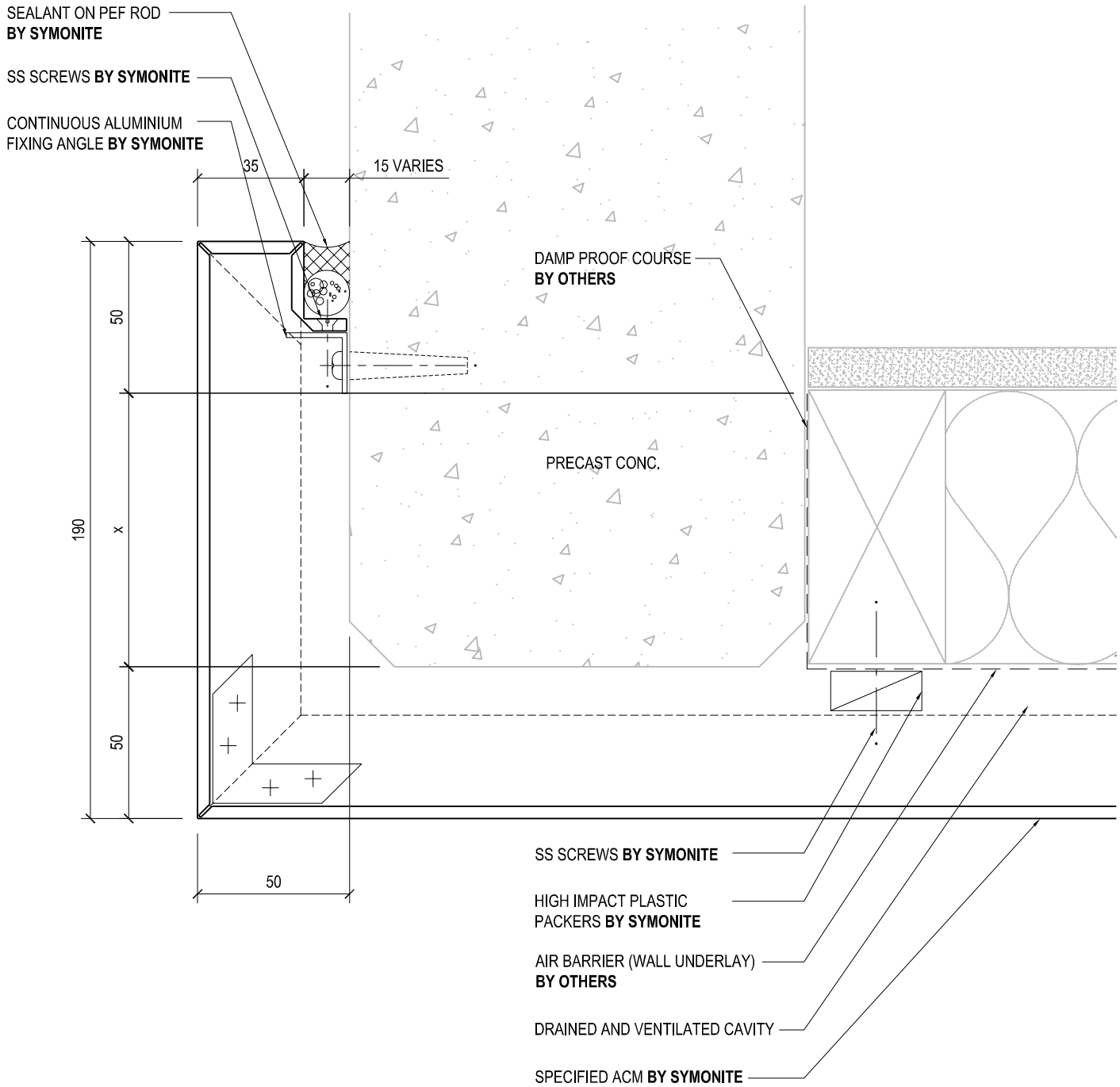
DATE: DECEMBER 2014

ROUT AND RETURN SYSTEM



DRAWING TITLE		DRAWING STATUS	
ACM / PRECAST JUNCTION DETAIL 1		ARCHITECTURAL RESOURCE	SHEET NO. 16
		SCALE: 1:2	ISSUE A
		DATE: DECEMBER 2014	

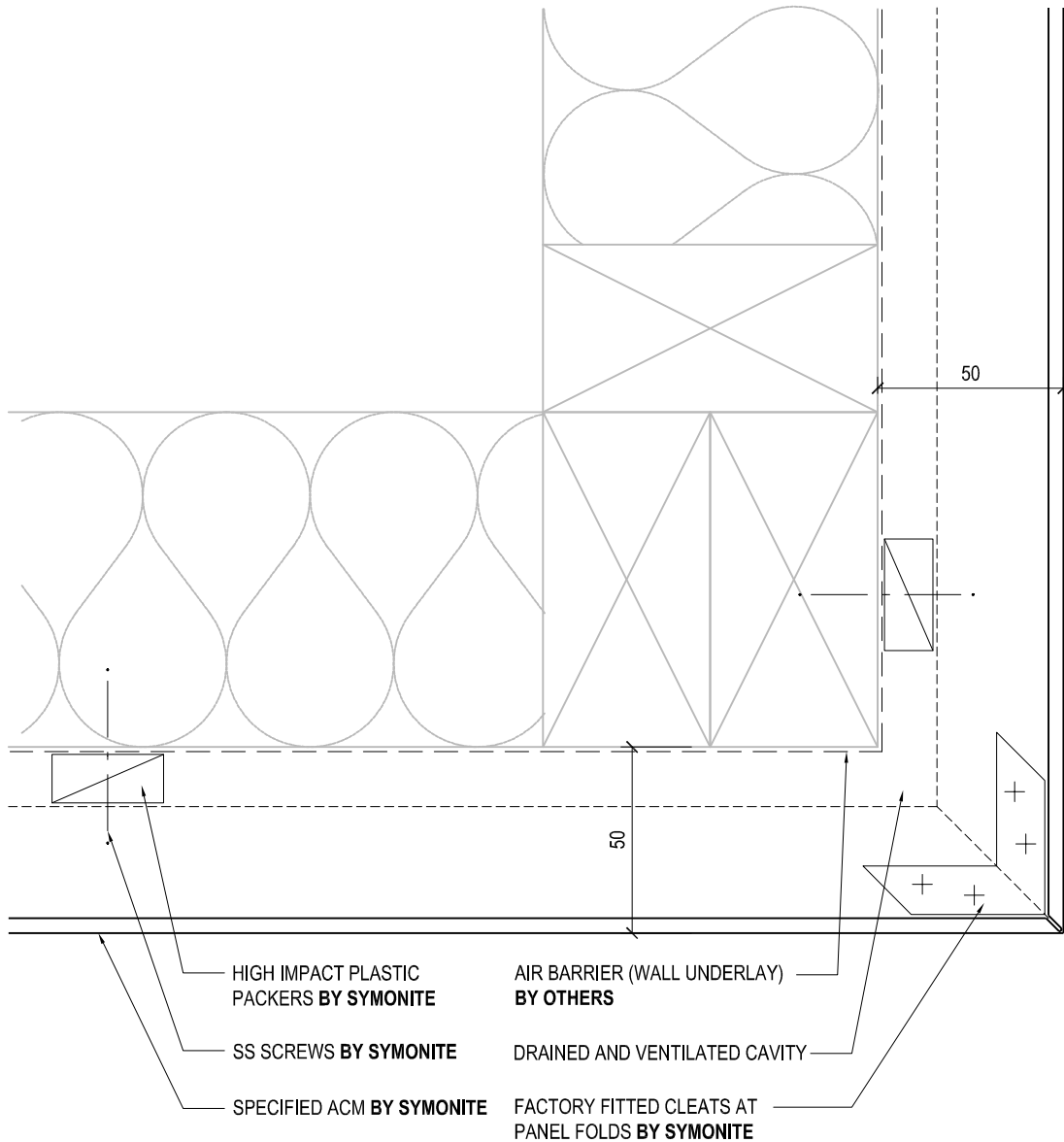
ROUT AND RETURN SYSTEM



DRAWING TITLE	ACM / PRECAST JUNCTION DETAIL 2		
----------------------	--	--	--

DRAWING STATUS		ARCHITECTURAL RESOURCE	SHEET NO. 17	ISSUE A
SCALE: 1:2		DATE: DECEMBER 2014		

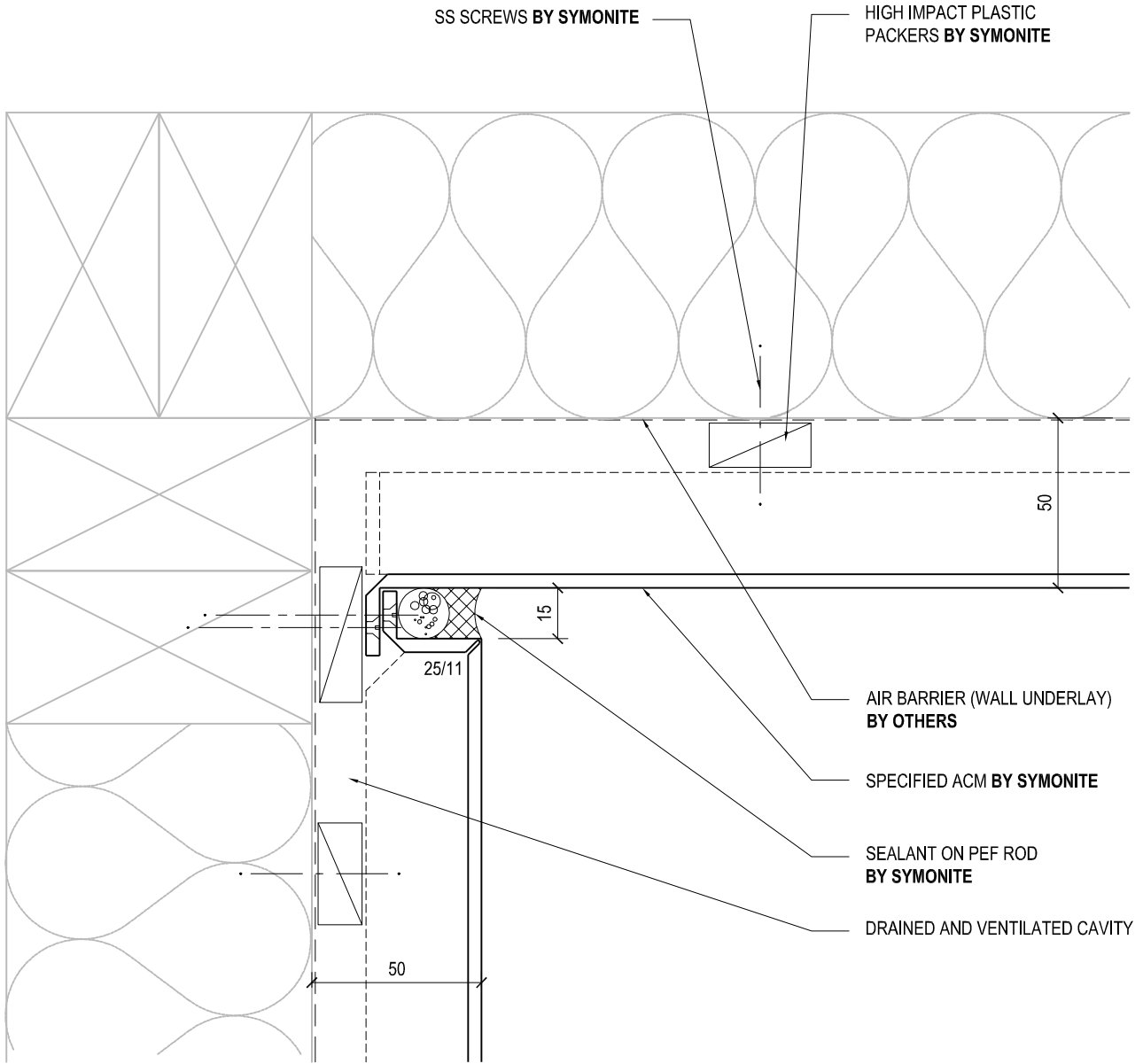
ROUT AND RETURN SYSTEM



DRAWING TITLE	EXTERNAL CORNER DETAIL	DRAWING STATUS
		ARCHITECTURAL RESOURCE
		SCALE: 1:2

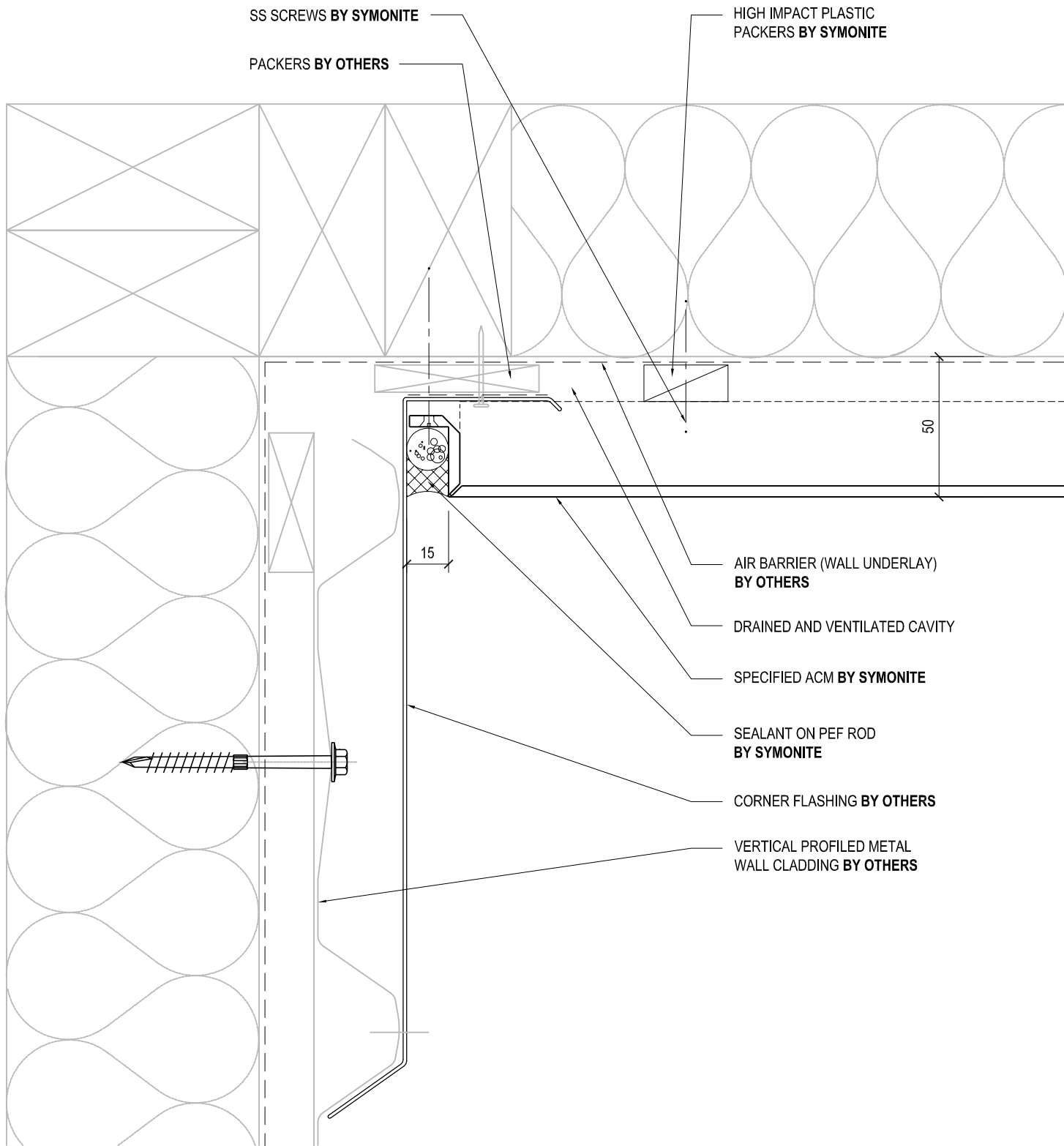
<small>SHEET NO.</small>	18	<small>ISSUE</small>	A	
				<small>DATE: DECEMBER 2014</small>

ROUT AND RETURN SYSTEM



DRAWING TITLE	DRAWING STATUS		
INTERNAL CORNER DETAIL 1	ARCHITECTURAL RESOURCE		SHEET NO. 19
	SCALE: 1:2		ISSUE A
		DATE: DECEMBER 2014	

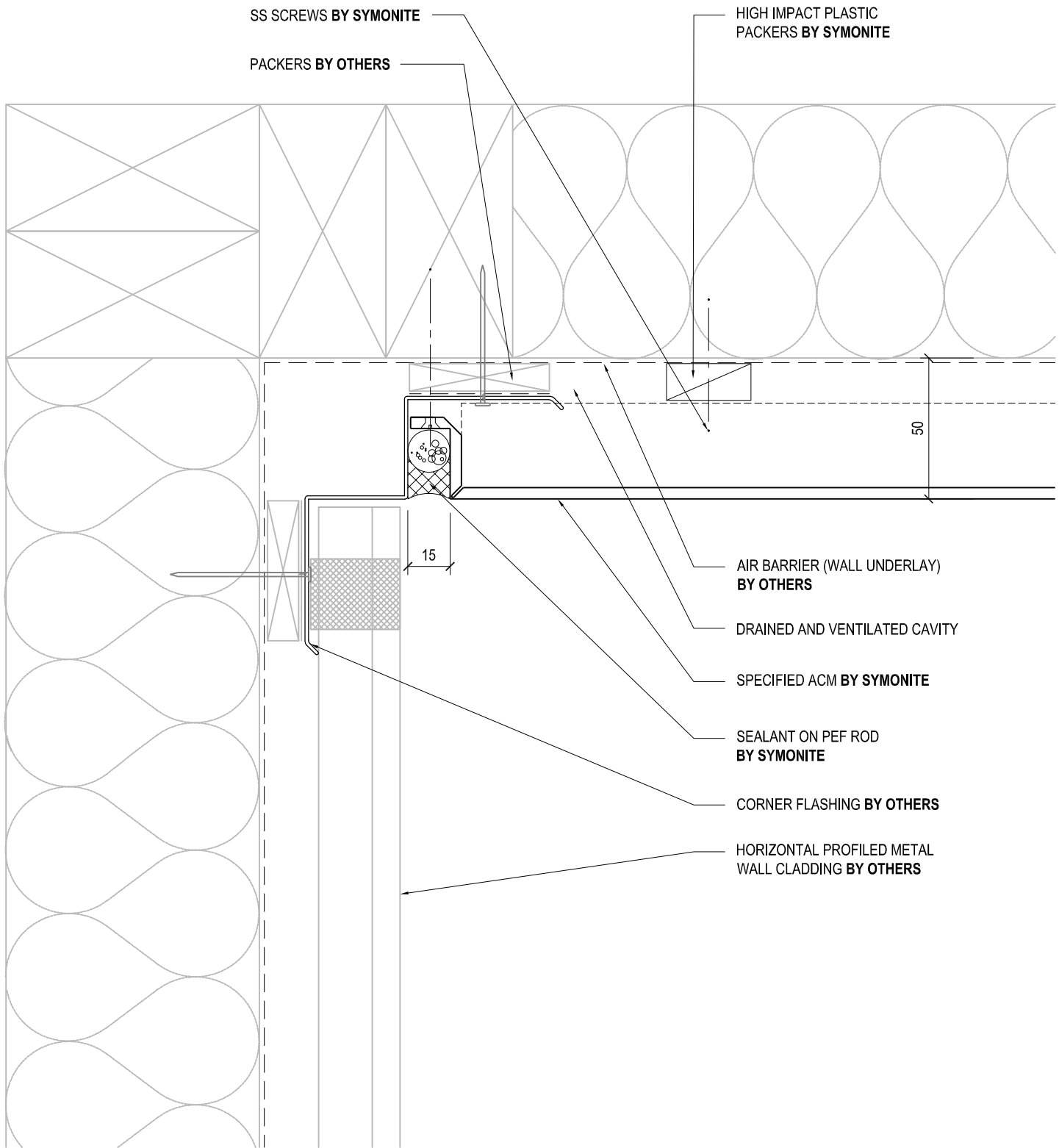
ROUT AND RETURN SYSTEM



DRAWING TITLE	DRAWING STATUS
INTERNAL CORNER DETAIL 2	ARCHITECTURAL RESOURCE

SHEET NO.	ISSUE
20	A
SCALE: 1:2	DATE: DECEMBER 2014

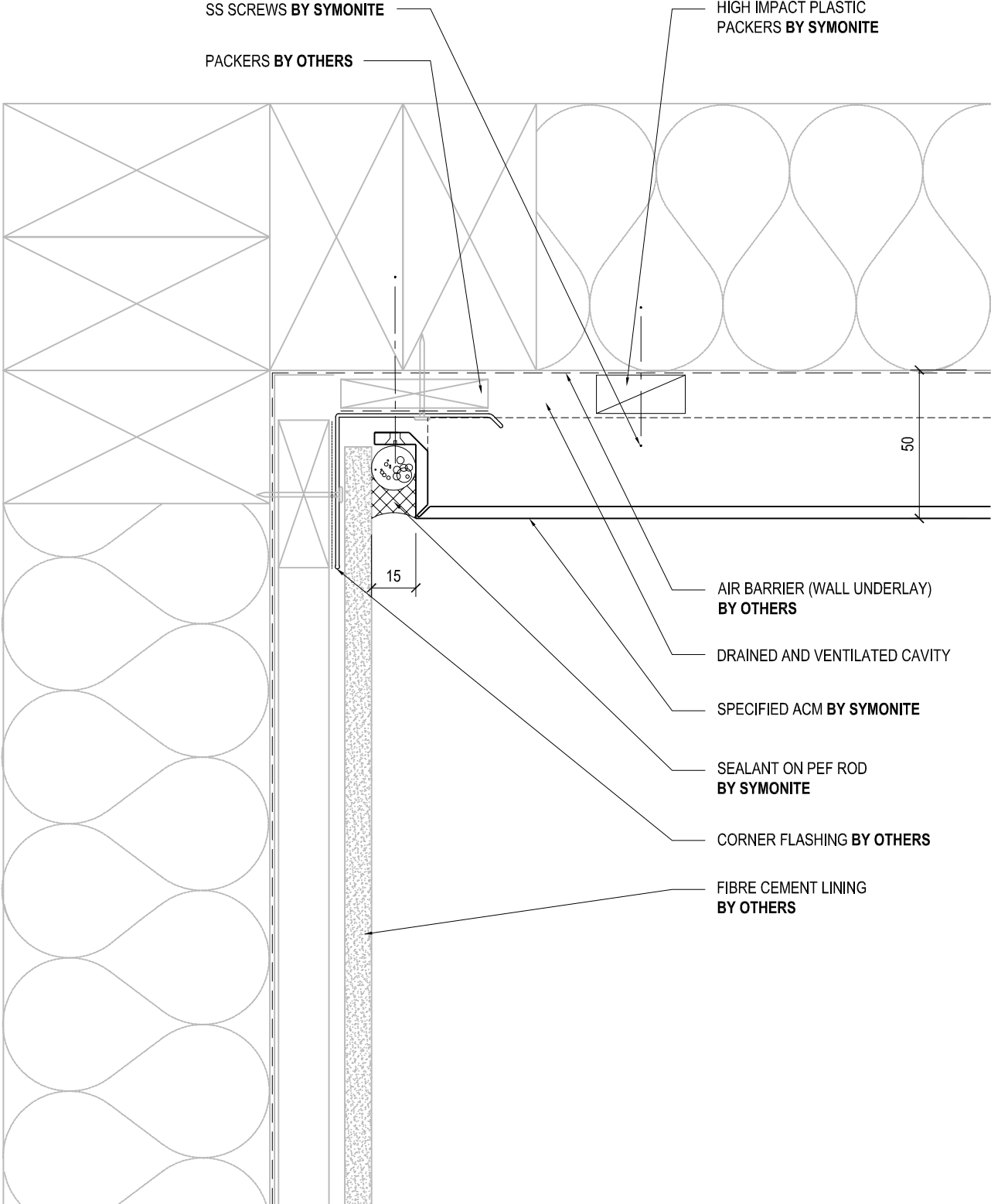
ROUT AND RETURN SYSTEM



DRAWING TITLE	DRAWING STATUS
INTERNAL CORNER DETAIL 3	ARCHITECTURAL RESOURCE

SHEET NO.	ISSUE
21	A
SCALE: 1:2	DATE: DECEMBER 2014

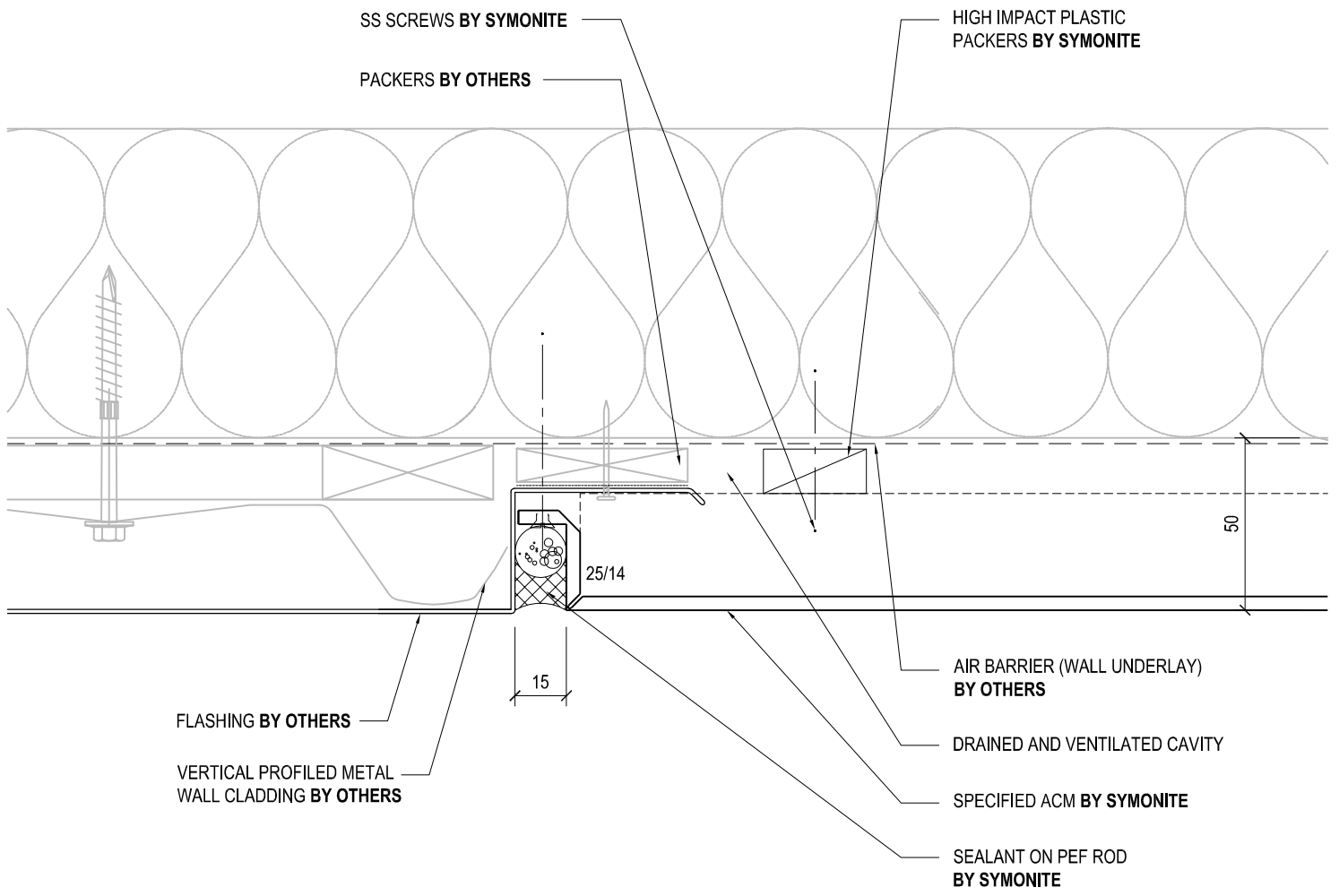
ROUT AND RETURN SYSTEM



DRAWING TITLE	DRAWING STATUS
INTERNAL CORNER DETAIL 3	ARCHITECTURAL RESOURCE

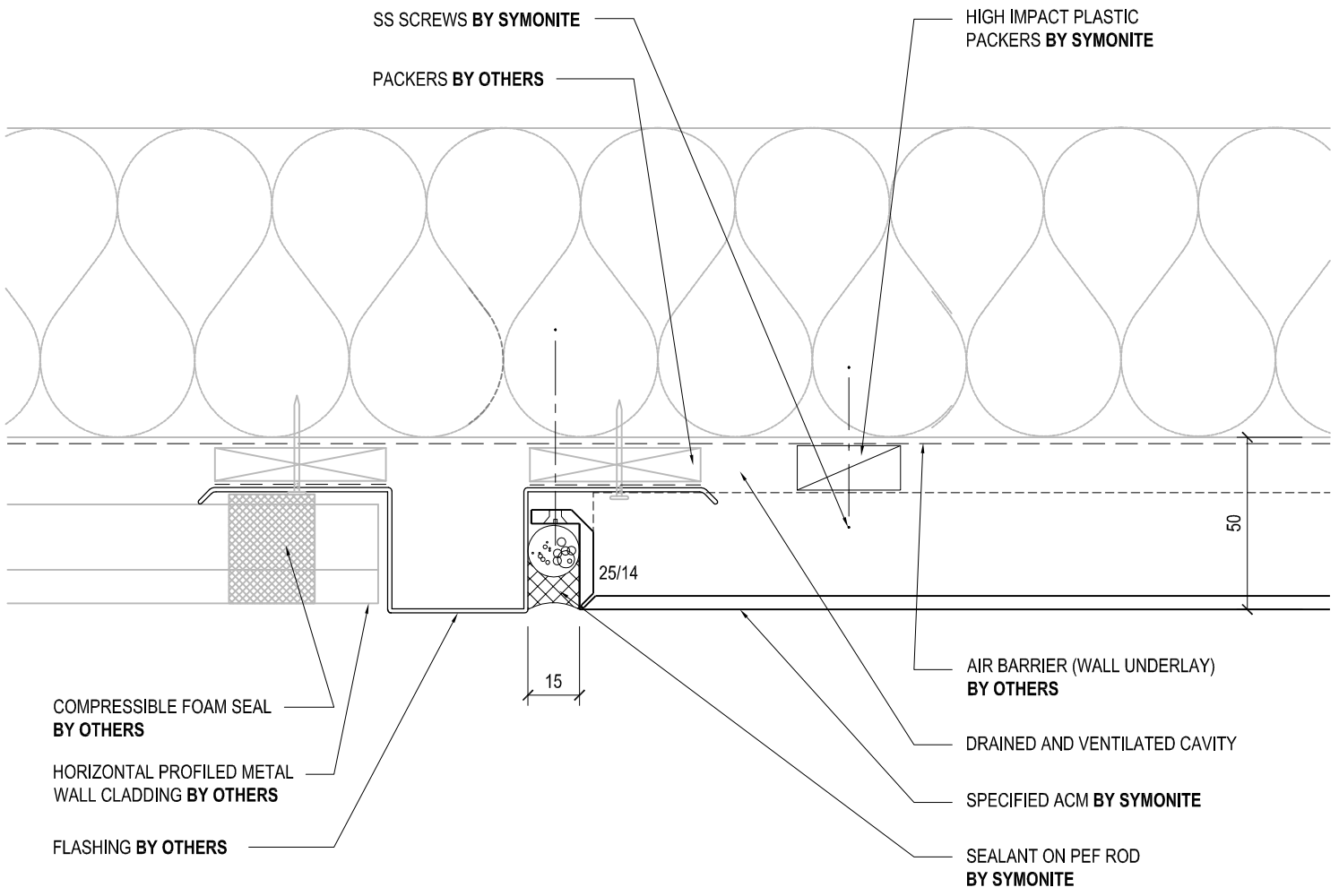
SHEET NO.	ISSUE
22	A
SCALE: 1:2	DATE: DECEMBER 2014

ROUT AND RETURN SYSTEM



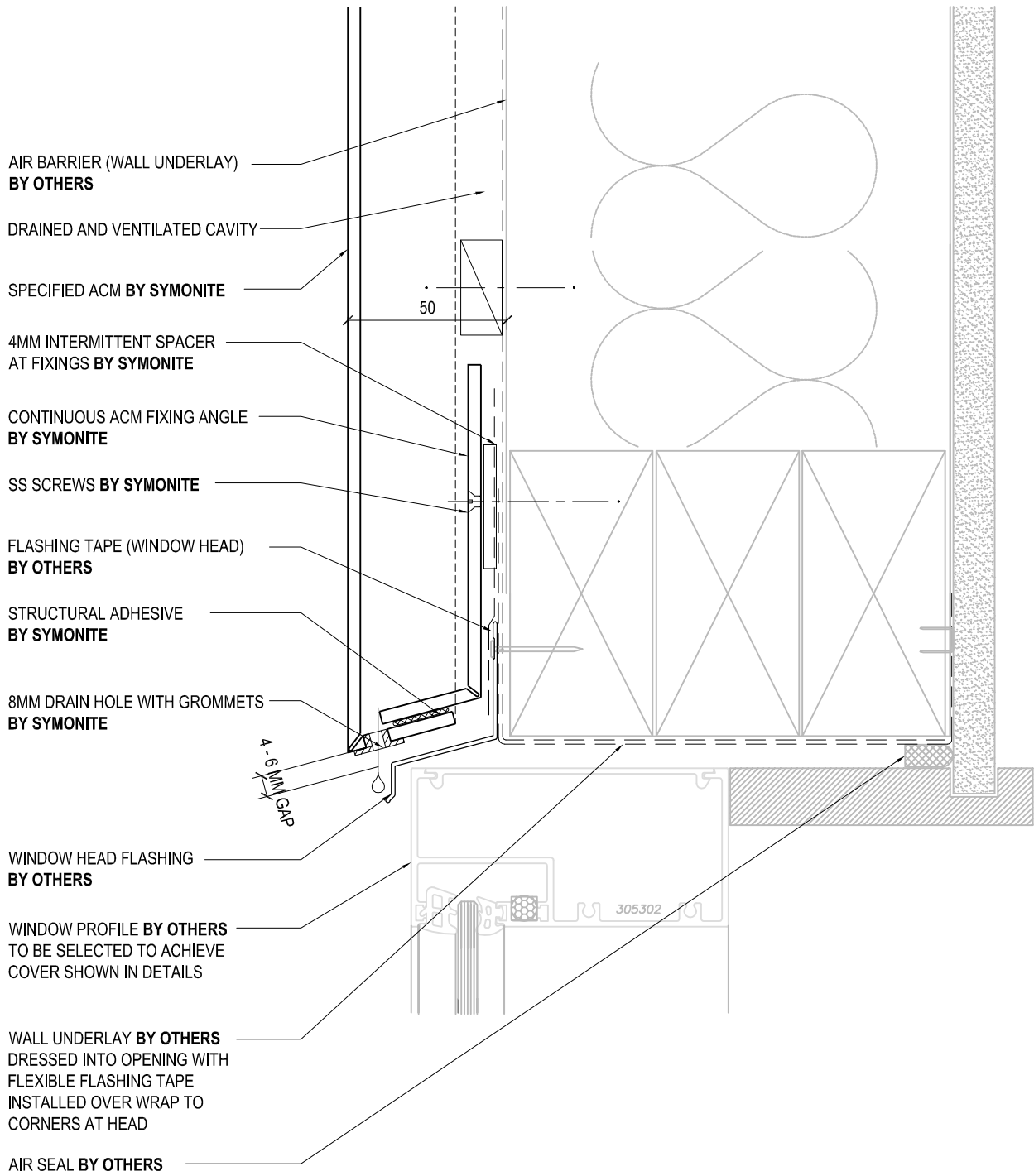
DRAWING TITLE		DRAWING STATUS	
ACM / WALL JUNCTION DETAIL		ARCHITECTURAL RESOURCE	SHEET NO. 23
		ISSUE A	DATE: DECEMBER 2014
		SCALE: 1:2	

ROUT AND RETURN SYSTEM



SYMONITE	DRAWING TITLE	DRAWING STATUS		
	ACM / WALL JUNCTION DETAIL	ARCHITECTURAL RESOURCE	SHEET NO. 24	ISSUE A
		SCALE: 1:2	DATE: DECEMBER 2014	

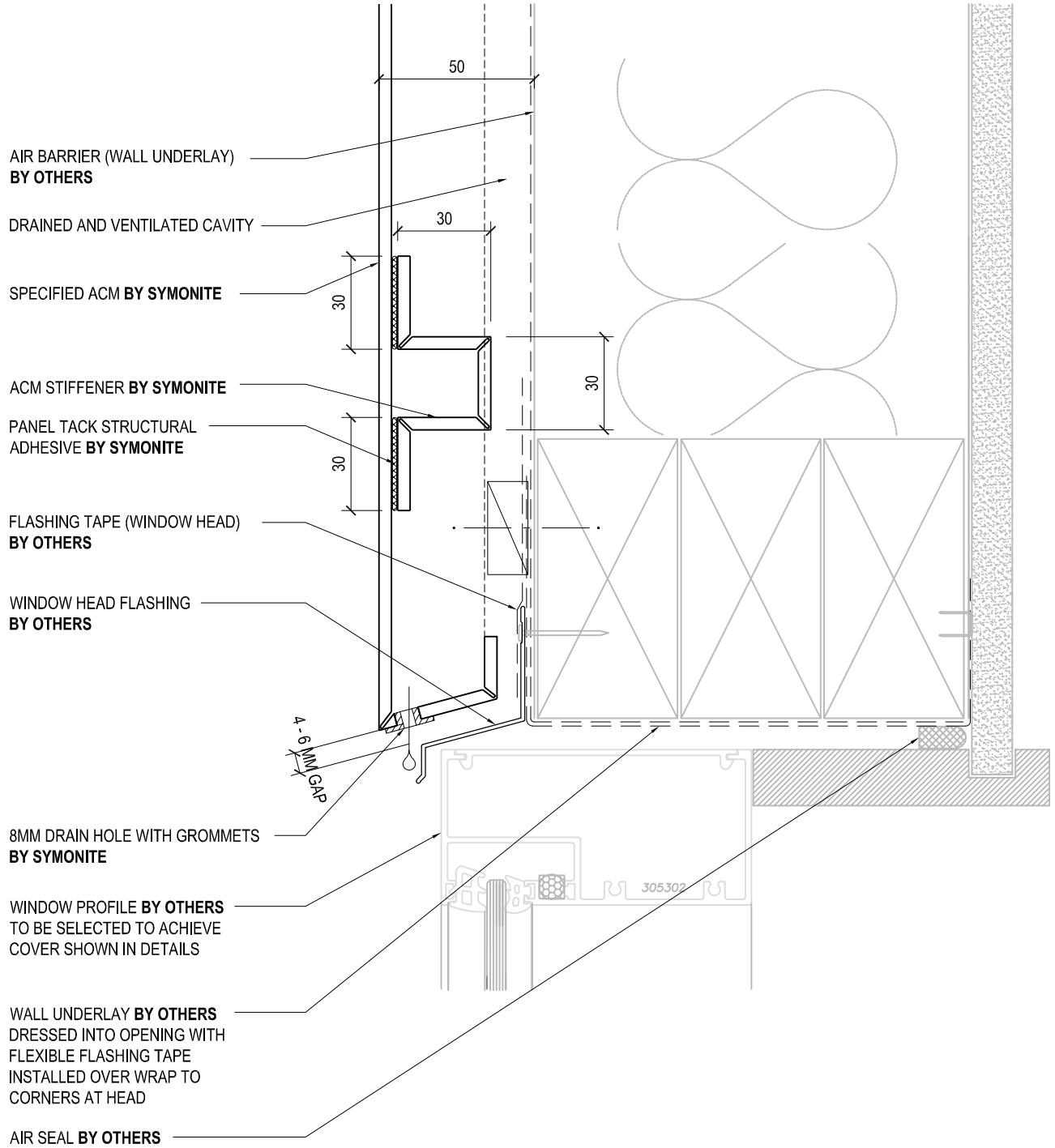
ROUT AND RETURN SYSTEM



DRAWING TITLE	COMMERCIAL WINDOW HEAD DETAIL (ALTERNATIVE DETAIL)		
----------------------	---	--	--

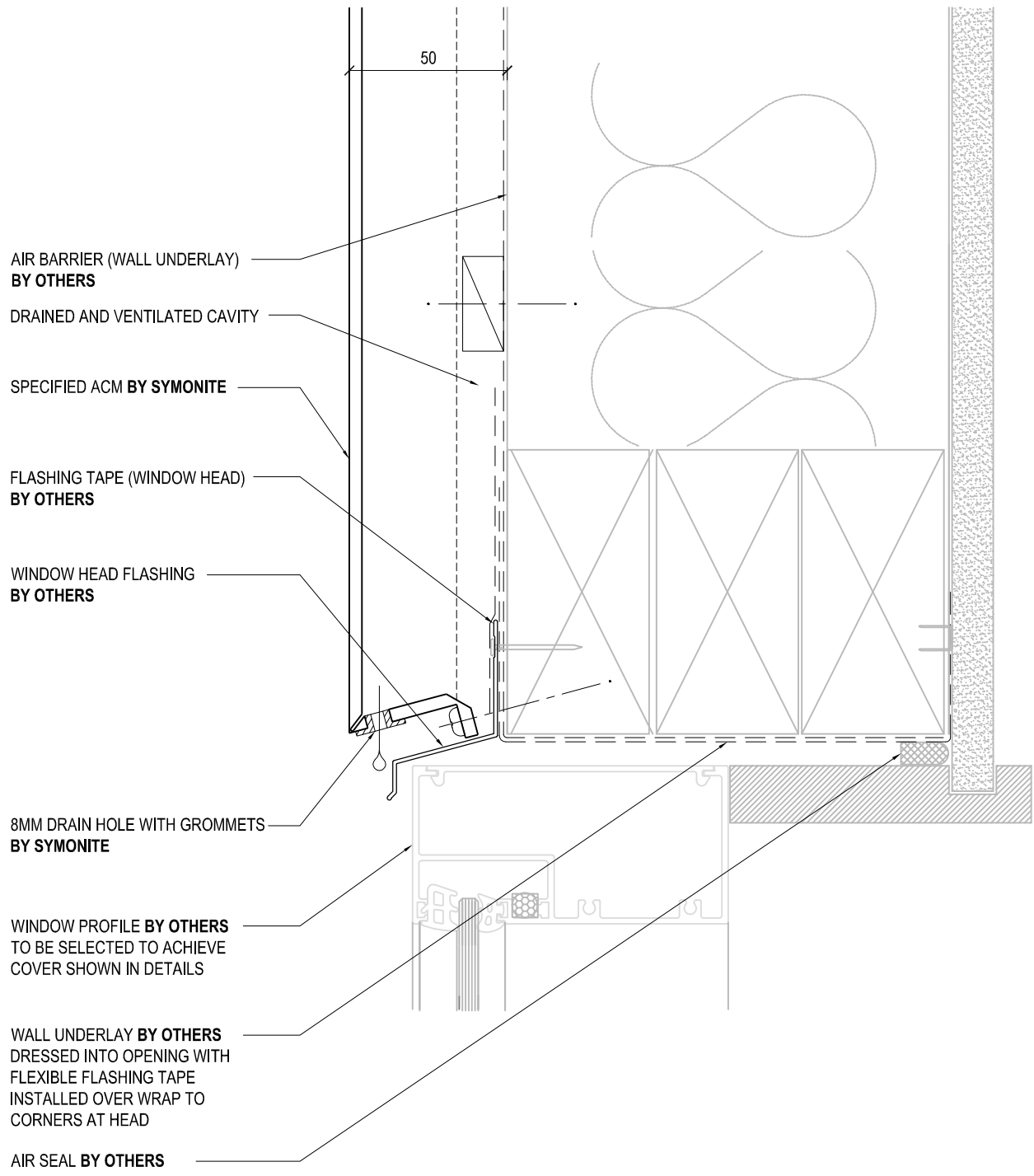
DRAWING STATUS	ARCHITECTURAL RESOURCE	SHEET NO. 25	ISSUE A
SCALE: 1:2	DATE: DECEMBER 2014		

ROUT AND RETURN SYSTEM



DRAWING TITLE	DRAWING STATUS		
COMMERCIAL WINDOW HEAD DETAIL (ALTERNATIVE DETAIL)	ARCHITECTURAL RESOURCE	SHEET NO. 26	ISSUE A
	SCALE: 1:2	DATE: DECEMBER 2014	

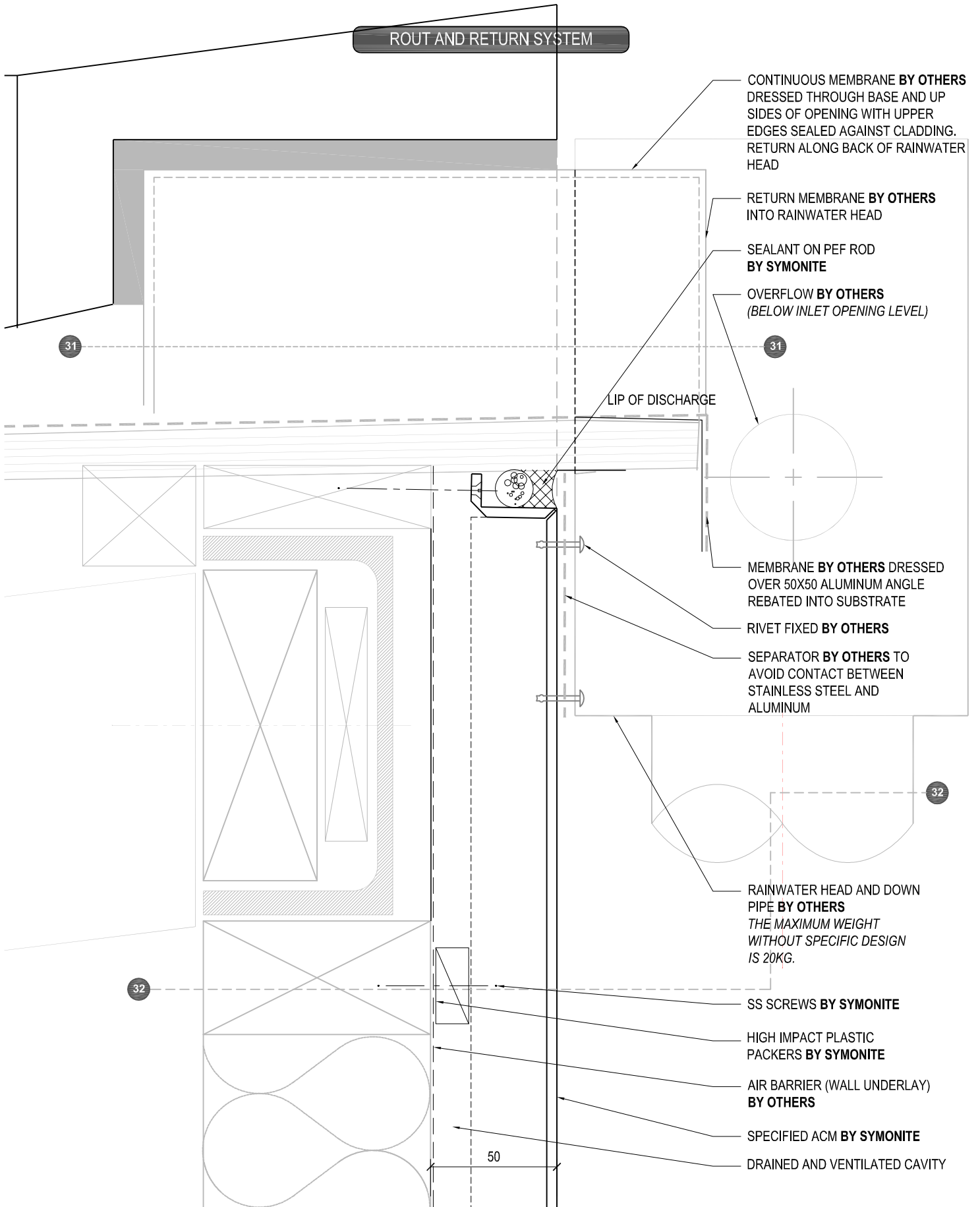
ROUT AND RETURN SYSTEM



DRAWING TITLE	COMMERCIAL WINDOW HEAD DETAIL (ALTERNATIVE DETAIL)		
----------------------	---	--	--

DRAWING STATUS	ARCHITECTURAL RESOURCE	SHEET NO.	ISSUE
		27	A
SCALE: 1:2		DATE: DECEMBER 2014	

ROUT AND RETURN SYSTEM



CONTINUOUS MEMBRANE **BY OTHERS**
DRESSED THROUGH BASE AND UP
SIDES OF OPENING WITH UPPER
EDGES SEALED AGAINST CLADDING.
RETURN ALONG BACK OF RAINWATER
HEAD

RETURN MEMBRANE **BY OTHERS**
INTO RAINWATER HEAD

SEALANT ON PEF ROD
BY SYMONITE

OVERFLOW **BY OTHERS**
(BELOW INLET OPENING LEVEL)

LIP OF DISCHARGE

MEMBRANE **BY OTHERS** DRESSED
OVER 50X50 ALUMINUM ANGLE
REBATED INTO SUBSTRATE

RIVET FIXED **BY OTHERS**

SEPARATOR **BY OTHERS** TO
AVOID CONTACT BETWEEN
STAINLESS STEEL AND
ALUMINUM

RAINWATER HEAD AND DOWN
PIPE **BY OTHERS**
THE MAXIMUM WEIGHT
WITHOUT SPECIFIC DESIGN
IS 20KG.

SS SCREWS **BY SYMONITE**

HIGH IMPACT PLASTIC
PACKERS **BY SYMONITE**

AIR BARRIER (WALL UNDERLAY)
BY OTHERS

SPECIFIED ACM **BY SYMONITE**

DRAINED AND VENTILATED CAVITY

NOTE

- TO BE READ WITH SHEET 31 & 32

SYMONITE

DRAWING TITLE

TYPICAL RAIN HEAD/ OUTLET THROUGH WALL DETAIL

DRAWING STATUS

**ARCHITECTURAL
RESOURCE**

SHEET NO.

30

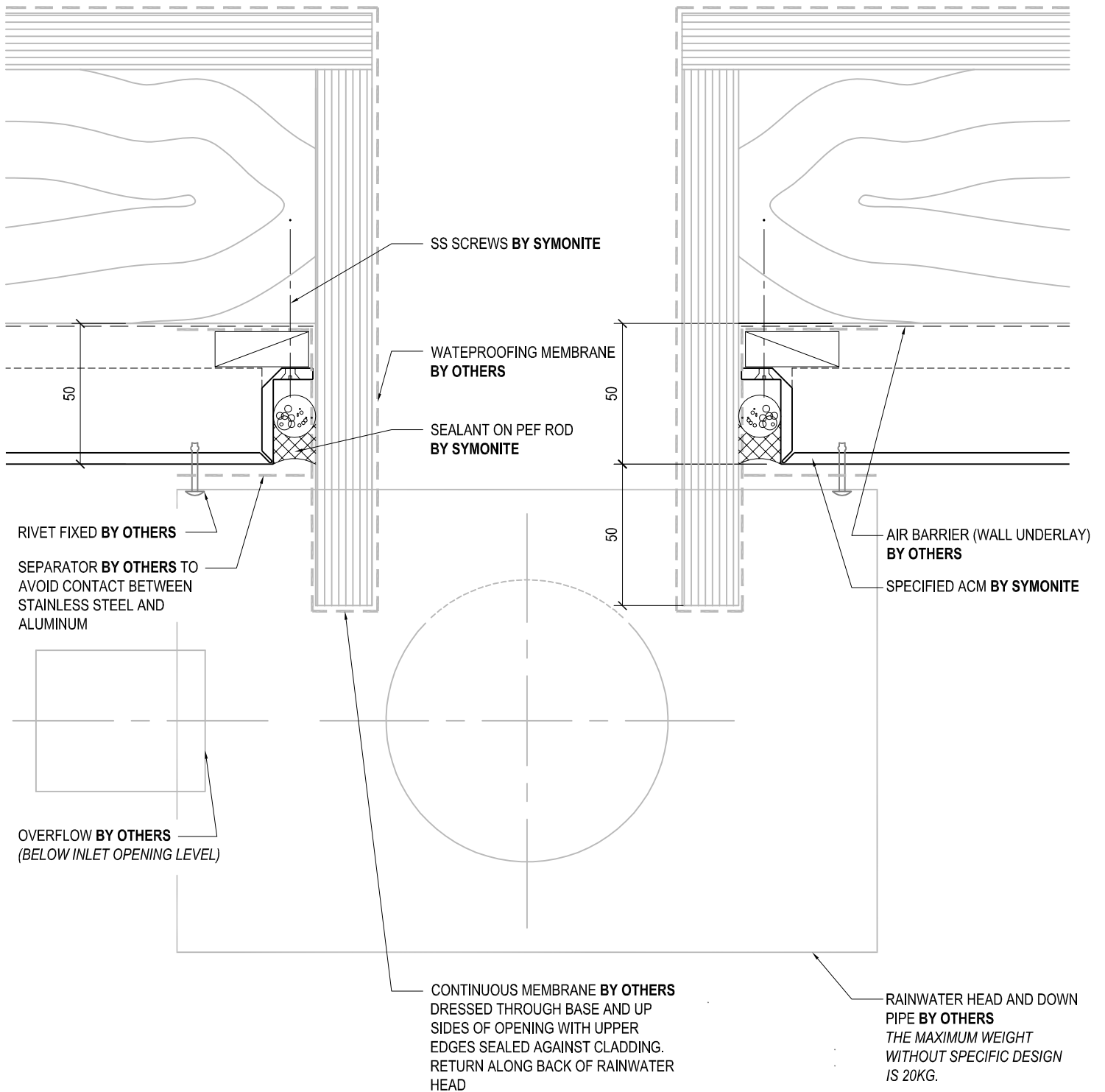
ISSUE

A

SCALE: 1:2

DATE: DECEMBER 2014

ROUT AND RETURN SYSTEM



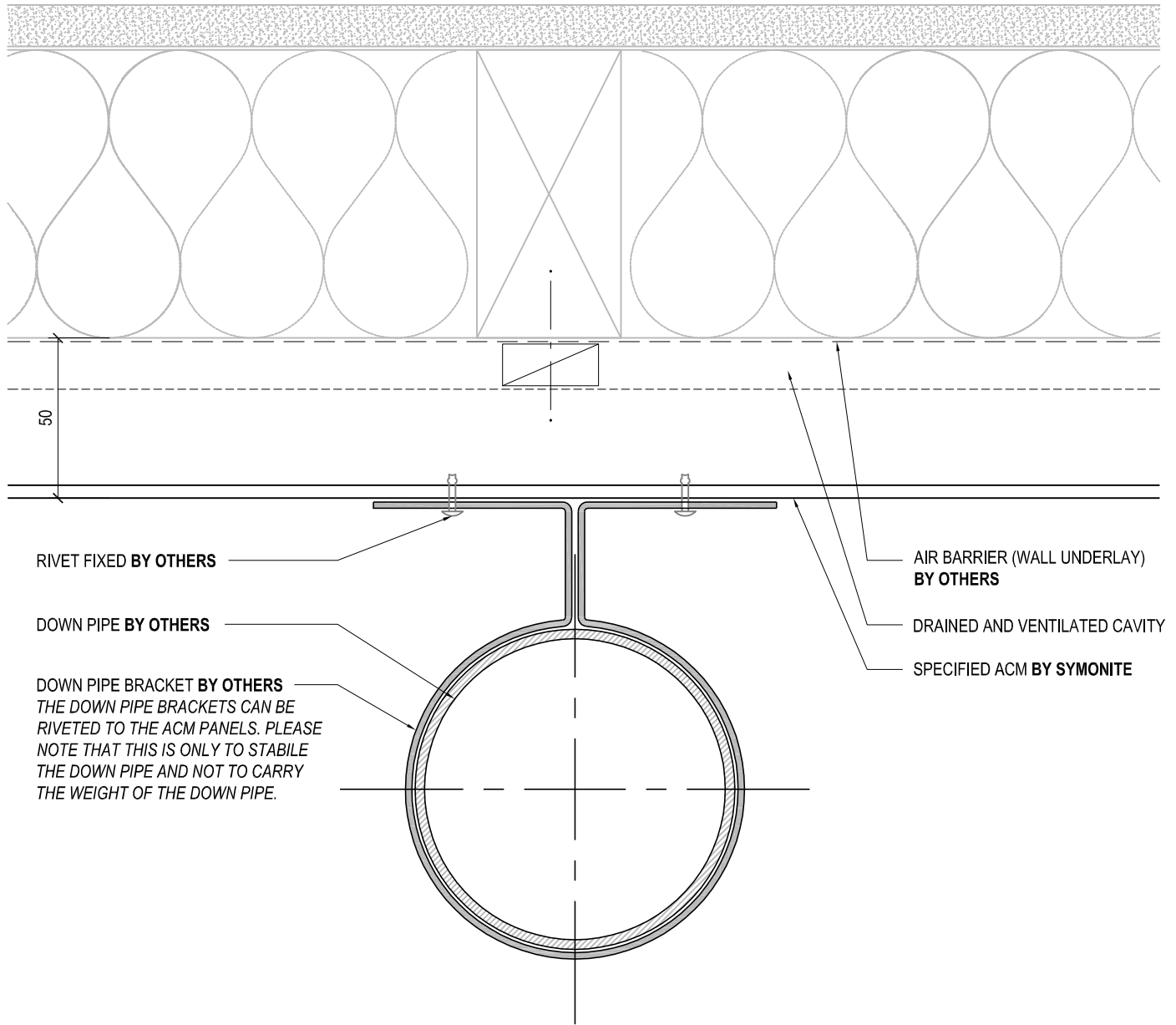
NOTE

- TO BE READ WITH SHEET 30 & 32



DRAWING TITLE	TYPICAL RAIN HEAD DETAIL			DRAWING STATUS	SHEET NO.	ISSUE
				ARCHITECTURAL RESOURCE	31	A
				SCALE: 1:2	DATE: DECEMBER 2014	

ROUT AND RETURN SYSTEM



NOTE

- TO BE READ WITH SHEET 30 & 31



DRAWING TITLE	DRAWING STATUS	SHEET NO.	ISSUE
DOWNPIPE / ACM FIXING DETAIL	ARCHITECTURAL RESOURCE	32	A
	SCALE: 1:2	DATE: DECEMBER 2014	

ROUT AND RETURN SYSTEM

NOTE
THIS DETAIL CAN ONLY BE USED WHERE THE PANEL CAN BE SLID OVER THE PIPE

SPECIFIED ACM BY SYMONITE

ESCUTCHEON ACM PLATE TO NEAT FIT ON PIPE BY SYMONITE

SPECIFIED ACM ROLLED EDGE FINISH BY SYMONITE ALL AROUND PENETRATION

SEALANT ALL AROUND PENETRATION BY SYMONITE

PIPE BY OTHERS

SERRATED ALUMINIUM ANGLE SUPPORT ALL AROUND PENETRATION BY SYMONITE

+5 MM

EXISTING BUILDING LINE

SPECIFIED ACM BY SYMONITE

TOPHAT LINE

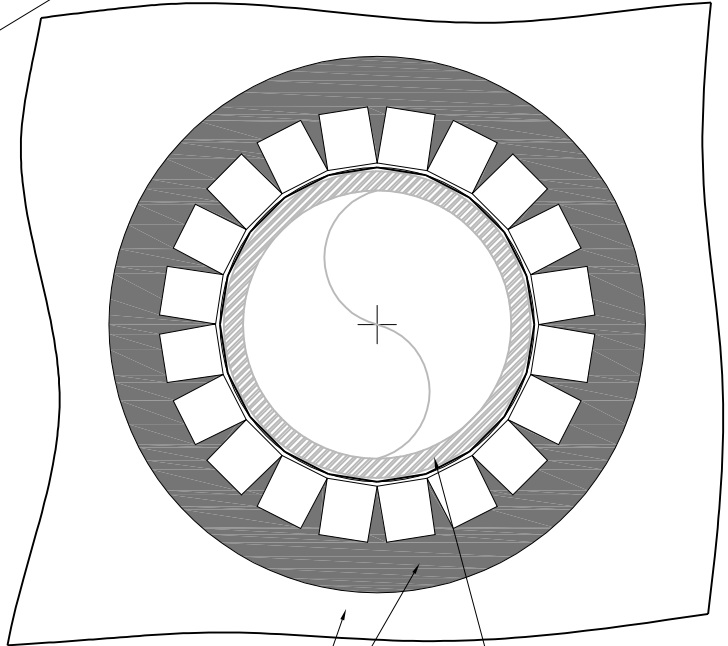
ESCUTCHEON ACM PLATE TO NEAT FIT ON PIPE BY SYMONITE

PIPE MIN 20MMØ

PIPE BY OTHERS

34
50
80

OUTSIDE SIDE ELEVATION INSIDE



SPECIFIED ACM BY SYMONITE

PIPE BY OTHERS

ESCUTCHEON ACM PLATE TO NEAT FIT ON PIPE BY SYMONITE

BACK ELEVATION

SYMONITE

DRAWING TITLE

STANDARD PENETRATION (Minimum of 20 mm Ø)

DRAWING STATUS

ARCHITECTURAL RESOURCE

SHEET NO.

33

ISSUE

A

SCALE: 1:2

DATE: DECEMBER 2014

ROUT AND RETURN SYSTEM

NOTE
THIS DETAIL CAN ONLY BE USED WHERE THE PANEL CAN BE SLID OVER THE PIPE

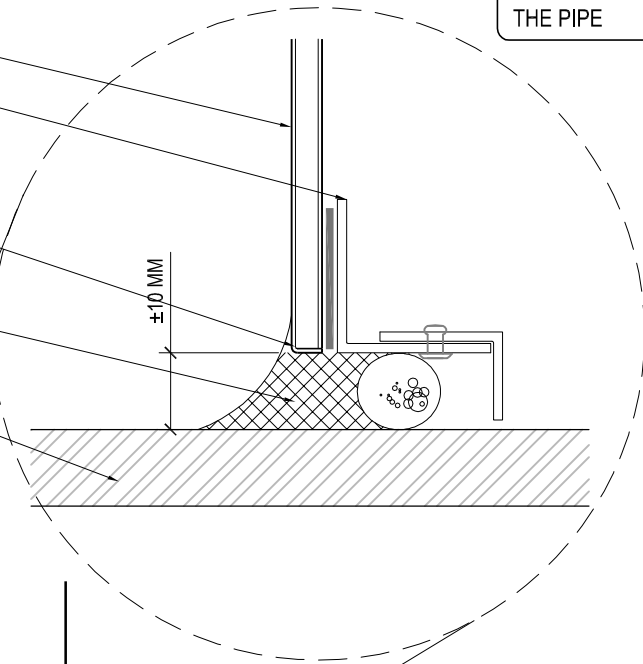
SPECIFIED ACM BY SYMONITE

SERRATED ALUMINIUM ANGLE STRUCTURALLY GLUED FIXED WITH 3M VHB DOUBLE SIDED TAPE BY SYMONITE

SPECIFIED ACM ROLLED EDGE FINISH BY SYMONITE ALL AROUND PENETRATION

SEALANT ON PEF ROD BY SYMONITE

PIPE BY OTHERS



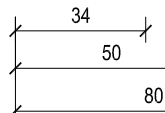
EXISTING BUILDING LINE

SPECIFIED ACM BY SYMONITE

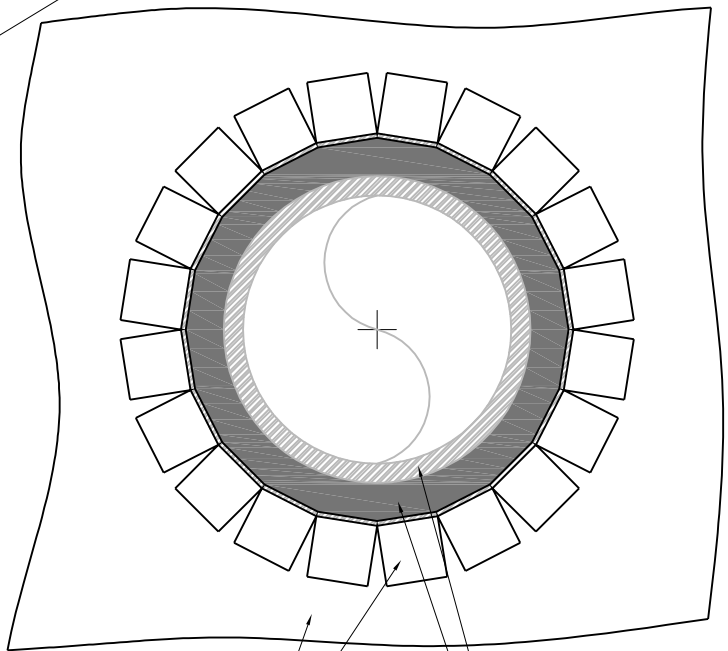
TOPHAT LINE

PIPE MIN 80MMØ

PIPE BY OTHERS



OUTSIDE SIDE ELEVATION INSIDE



SPECIFIED ACM BY SYMONITE

SERRATED ALUMINIUM ANGLE STRUCTURALLY GLUED FIXED WITH 3M VHB DOUBLE SIDED TAPE BY SYMONITE

PIPE BY OTHERS

SEALANT ON PEF ROD BY SYMONITE

BACK ELEVATION



DRAWING TITLE

STANDARD PENETRATION (Minimum of 80 mm Ø)

DRAWING STATUS

ARCHITECTURAL RESOURCE

SHEET NO.	ISSUE
34	A

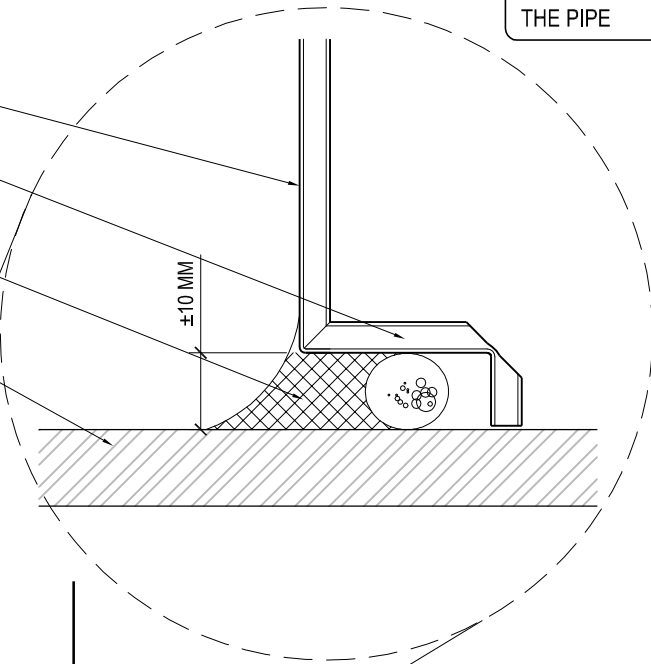
SCALE: 1:2

DATE: DECEMBER 2014

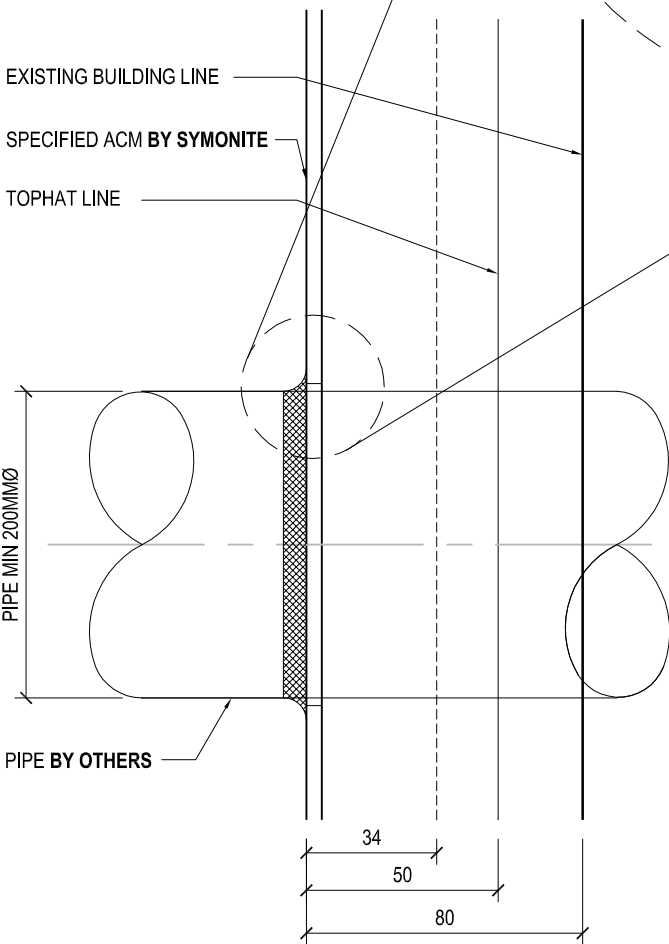
ROUT AND RETURN SYSTEM

NOTE
THIS DETAIL CAN ONLY BE USED WHERE THE PANEL CAN BE SLID OVER THE PIPE

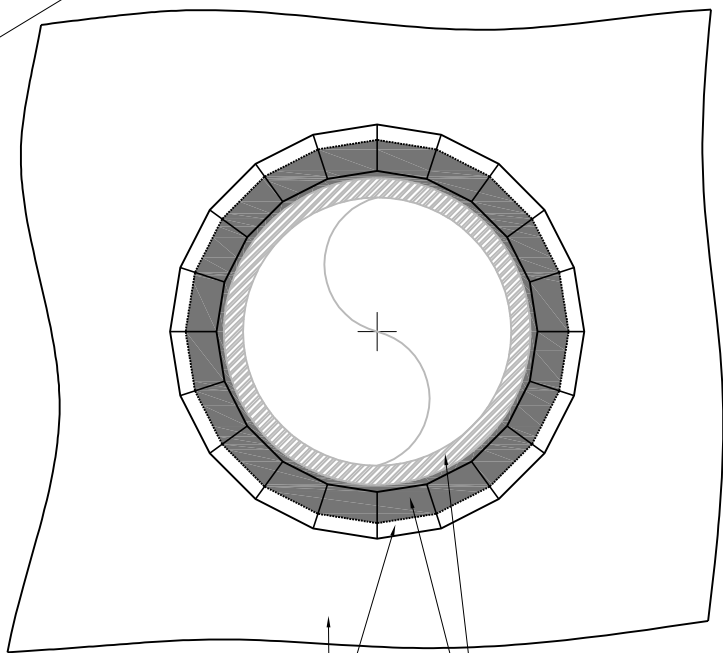
- SPECIFIED ACM BY SYMONITE
- SERRATED STANDARD ACM LEG BY SYMONITE
- SEALANT ON PEF ROD BY SYMONITE
- PIPE BY OTHERS



- EXISTING BUILDING LINE
- SPECIFIED ACM BY SYMONITE
- TOPHAT LINE



OUTSIDE SIDE ELEVATION INSIDE



- SPECIFIED ACM BY SYMONITE
- SERRATED STANDARD ACM LEG BY SYMONITE
- PIPE BY OTHERS
- SEALANT ON PEF ROD BY SYMONITE

BACK ELEVATION

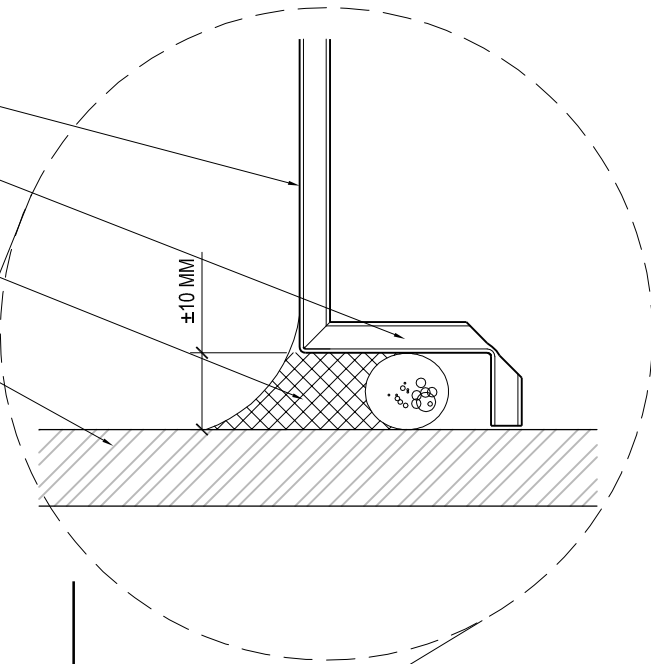


DRAWING TITLE	STANDARD PENETRATION (Minimum of 200 mm Ø)	DRAWING STATUS
		ARCHITECTURAL RESOURCE
		SCALE: 1:2

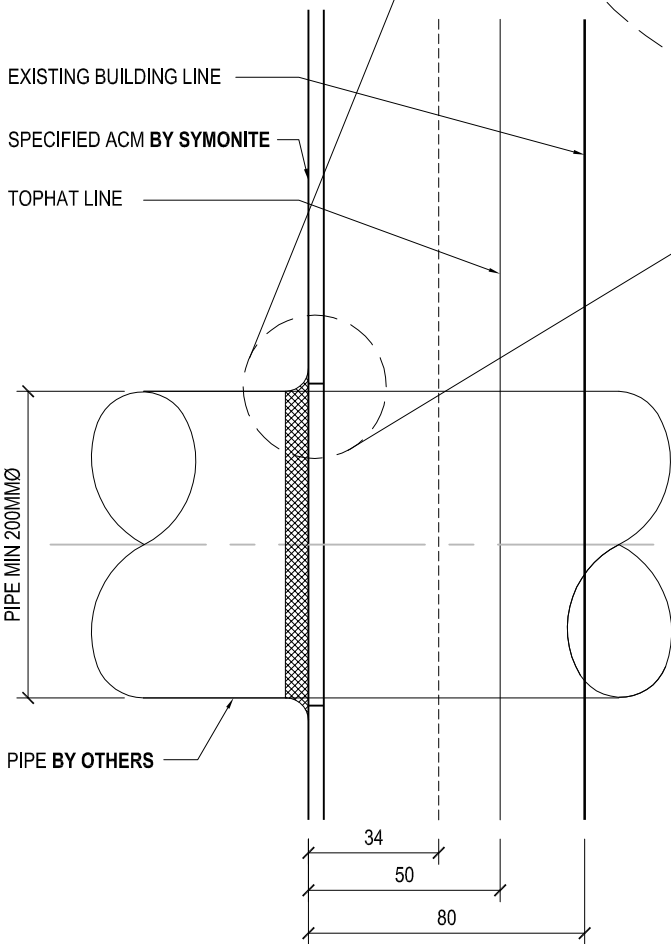
SHEET NO.	35	ISSUE	A
DATE: DECEMBER 2014			

ROUT AND RETURN SYSTEM

- SPECIFIED ACM BY SYMONITE
- SERRATED STANDARD ACM LEG BY SYMONITE
- SEALANT ON PEF ROD BY SYMONITE
- PIPE BY OTHERS

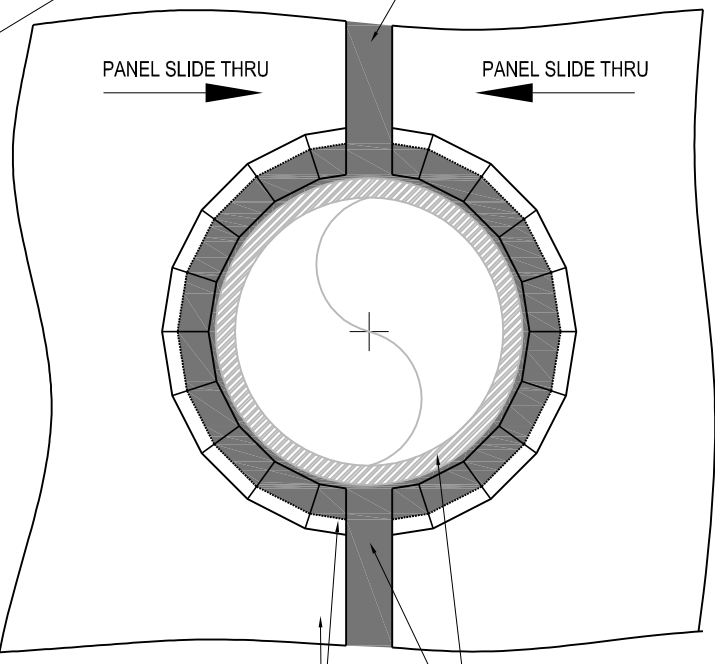


- EXISTING BUILDING LINE
- SPECIFIED ACM BY SYMONITE
- TOPHAT LINE



OUTSIDE SIDE ELEVATION INSIDE

- 15MM STANDARD JOINT BY SYMONITE



- SPECIFIED ACM BY SYMONITE
- SERRATED STANDARD ACM LEG BY SYMONITE
- PIPE BY OTHERS
- SEALANT ON PEF ROD BY SYMONITE

BACK ELEVATION



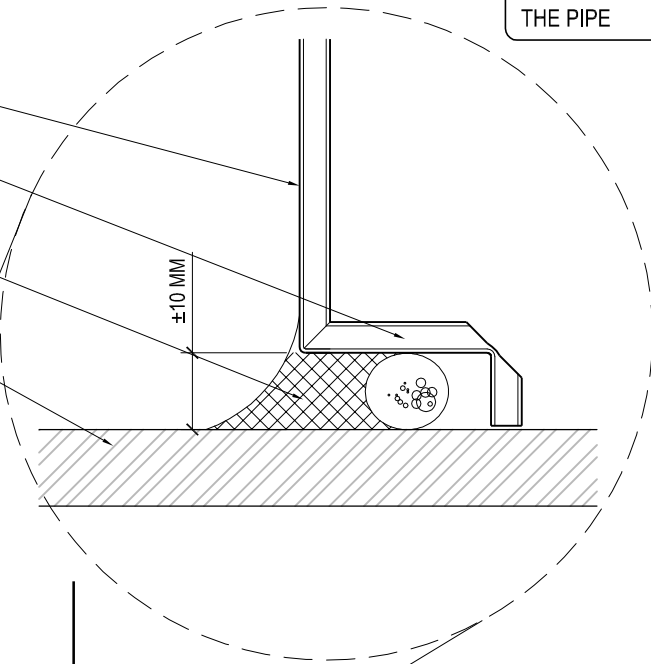
DRAWING TITLE	STANDARD PENETRATION (Minimum of 200 mm Ø)
----------------------	---

DRAWING STATUS		ARCHITECTURAL RESOURCE	SHEET NO. 36	ISSUE A
SCALE: 1:2		DATE: DECEMBER 2014		

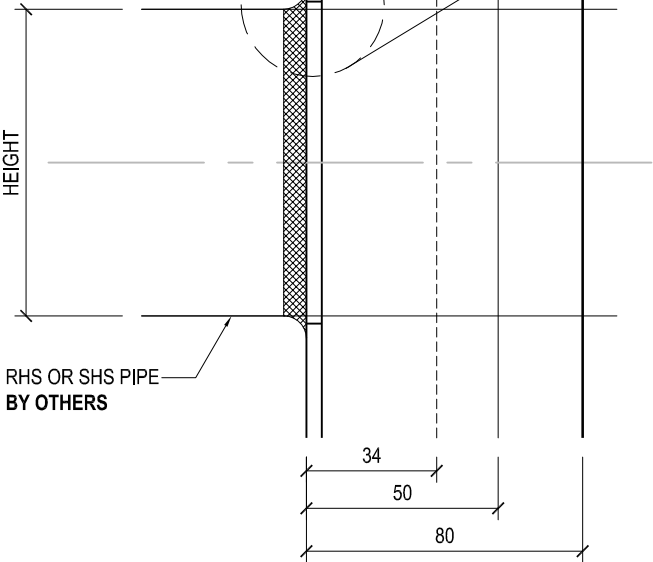
ROUT AND RETURN SYSTEM

NOTE
THIS DETAIL CAN ONLY BE USED WHERE THE PANEL CAN BE SLID OVER THE PIPE

- SPECIFIED ACM BY SYMONITE
- SERRATED STANDARD ACM LEG BY SYMONITE
- SEALANT ON PEF ROD BY SYMONITE
- RHS OR SHS PIPE BY OTHERS

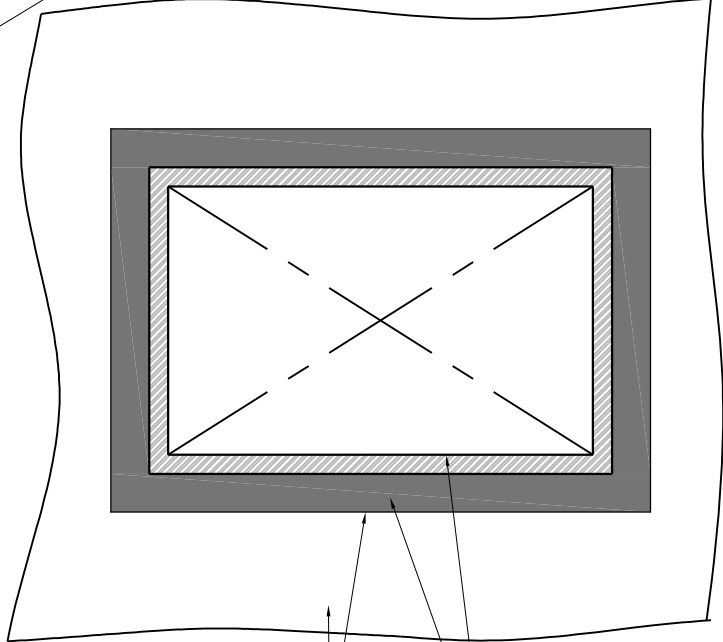


- EXISTING BUILDING LINE
- SPECIFIED ACM BY SYMONITE
- TOPHAT LINE



- RHS OR SHS PIPE BY OTHERS

OUTSIDE SIDE ELEVATION INSIDE



- SPECIFIED ACM BY SYMONITE
- SERRATED STANDARD ACM LEG BY SYMONITE
- RHS OR SHS PIPE BY OTHERS
- SEALANT ON PEF ROD BY SYMONITE

BACK ELEVATION



DRAWING TITLE	DRAWING STATUS
STANDARD PENETRATION (RHS OR SHS PIPE SECTION)	ARCHITECTURAL RESOURCE
	SCALE: 1:2

SHEET NO.	ISSUE
37	A
DATE: DECEMBER 2014	

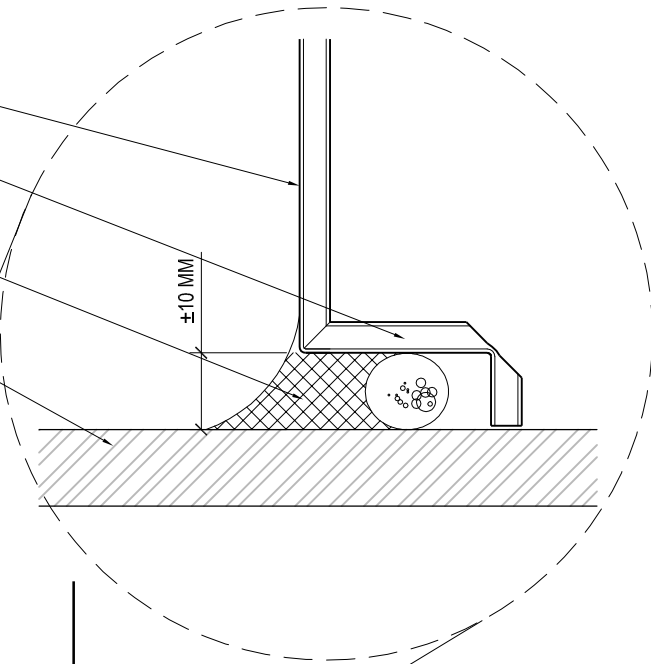
ROUT AND RETURN SYSTEM

SPECIFIED ACM BY SYMONITE

SERRATED STANDARD ACM LEG BY SYMONITE

SEALANT ON PEF ROD BY SYMONITE

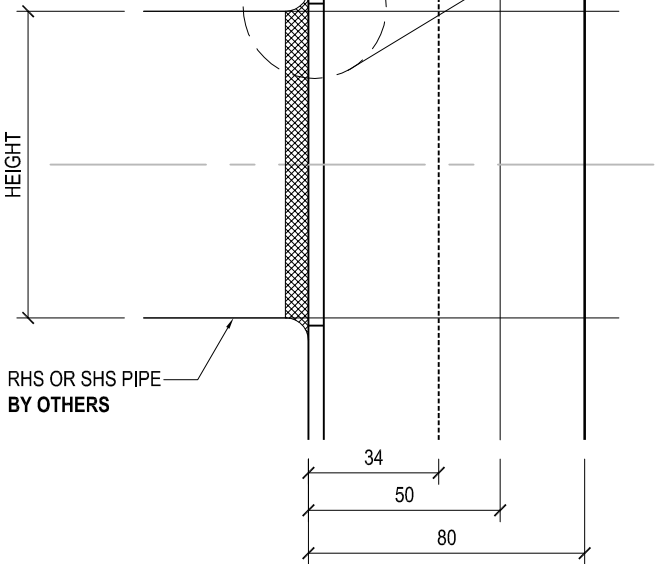
RHS OR SHS PIPE BY OTHERS



EXISTING BUILDING LINE

SPECIFIED ACM BY SYMONITE

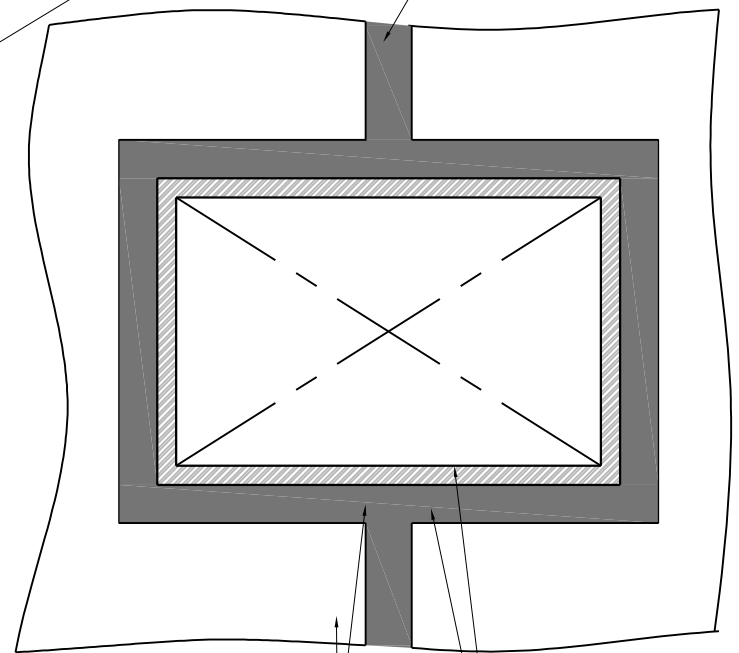
TOPHAT LINE



RHS OR SHS PIPE BY OTHERS

OUTSIDE SIDE ELEVATION INSIDE

15MM STANDARD JOINT BY SYMONITE



SPECIFIED ACM BY SYMONITE

SERRATED STANDARD ACM LEG BY SYMONITE

RHS OR SHS PIPE BY OTHERS

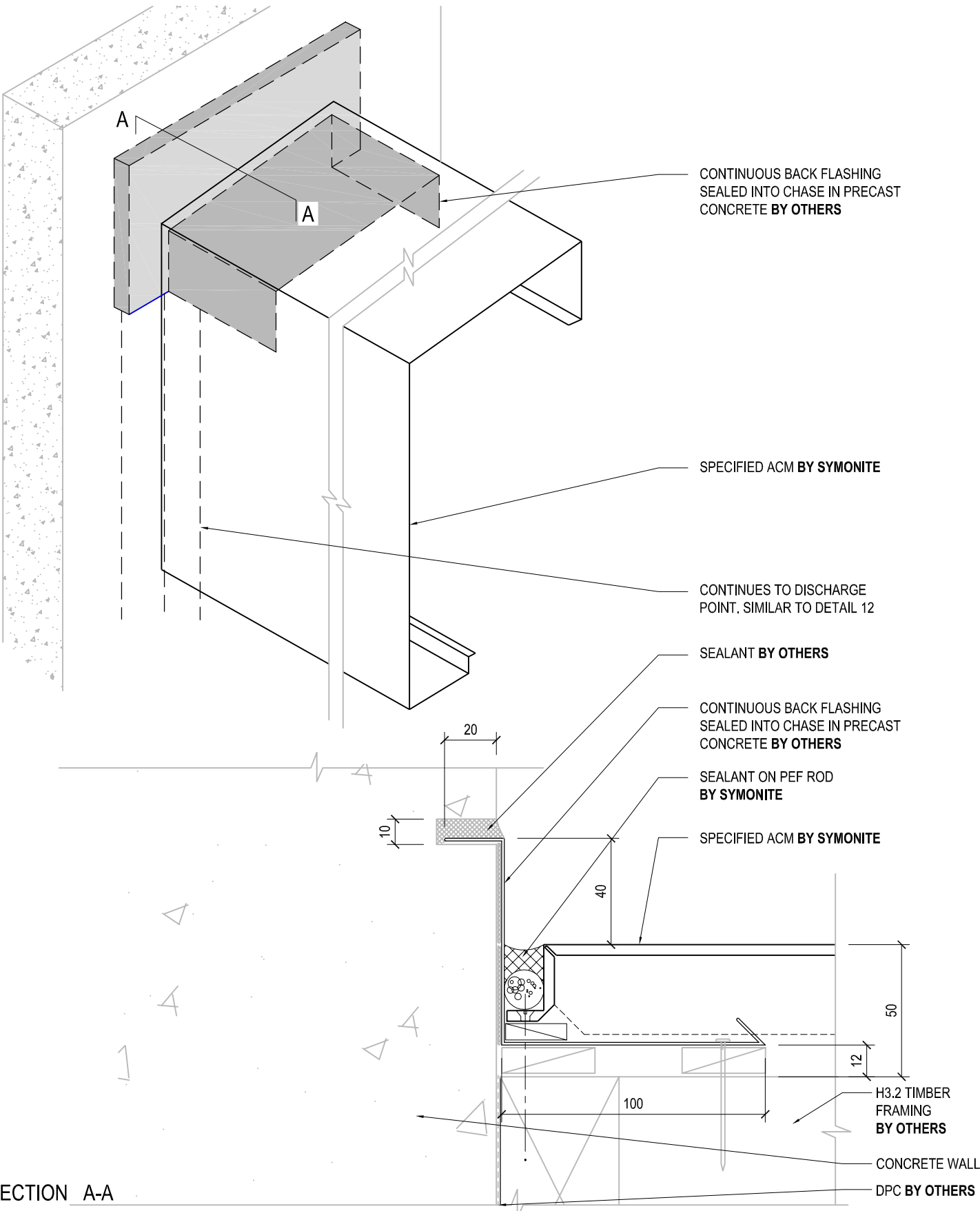
SEALANT ON PEF ROD BY SYMONITE

BACK ELEVATION

SYMONITE

DRAWING TITLE		DRAWING STATUS	
STANDARD PENETRATION (RHS OR SHS PIPE SECTION)		ARCHITECTURAL RESOURCE	
		SHEET NO.	ISSUE
		38	A
		SCALE: 1:2	DATE: DECEMBER 2014

ROUT AND RETURN SYSTEM



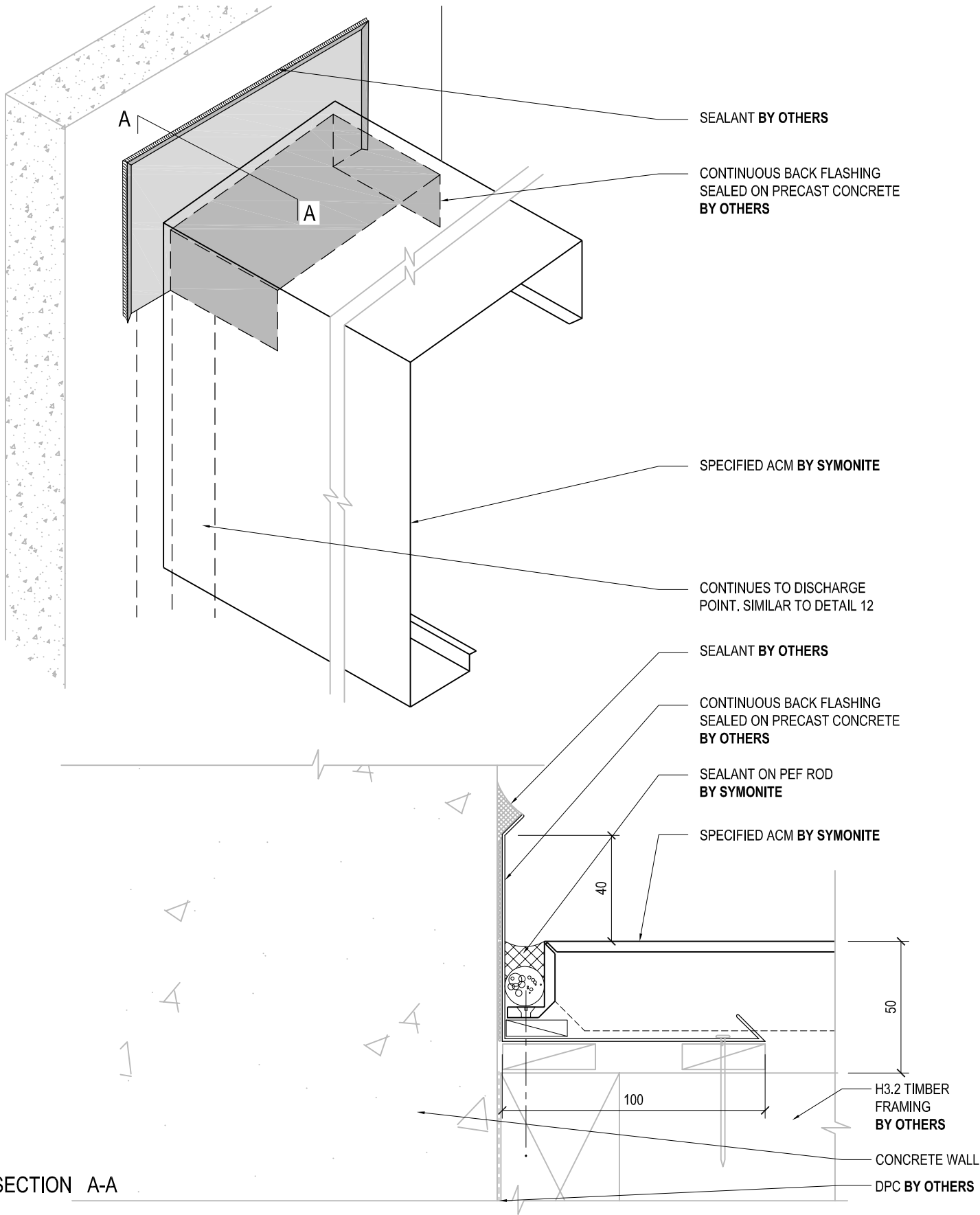
SECTION A-A

NOTE

SYMONITE	DRAWING TITLE	DRAWING STATUS		SHEET NO.	ISSUE
	SADDLE FLASHING CHASED TO CONCRETE	ARCHITECTURAL RESOURCE		39	A
		SCALE: 1:2	DATE: DECEMBER 2014		

SYMONITE PANELS LIMITED, P.O.Box 101 760, North Shore, Auckland, 72 Ellice Road, Glenfield, Auckland, New Zealand, Telephone 09 443 3896, Facsimile 09 444 2142, Web Site www.symonite.co.nz
 Copyright of this drawing shall remain the property of SYMONITE PANELS LTD. No part of this document may be reproduced or transmitted by any means without the prior permission in writing of SYMONITE PANELS LTD.

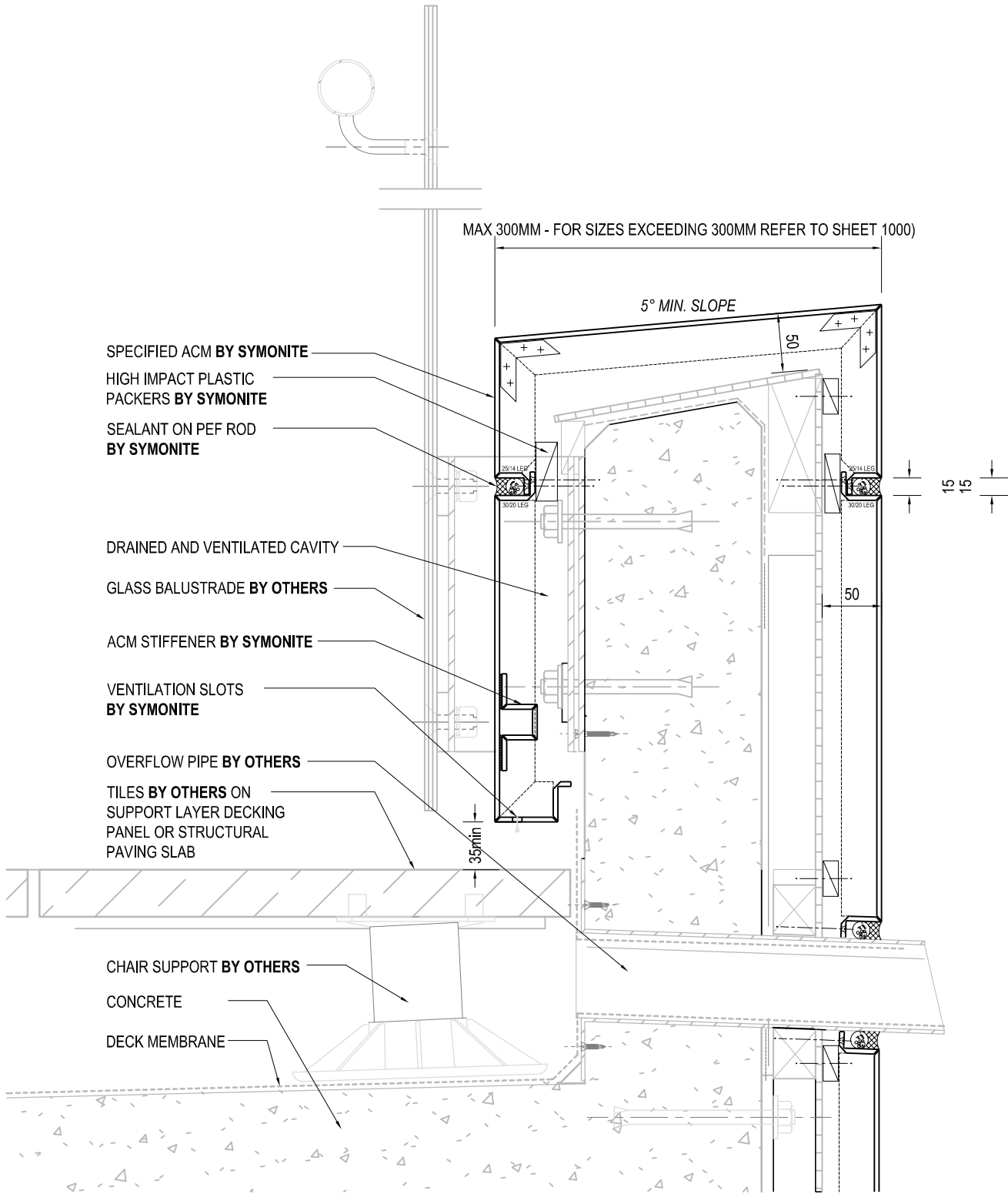
ROUT AND RETURN SYSTEM



DRAWING TITLE	SADDLE FLASHING IN BIRD BEAK		
---------------	------------------------------	--	--

DRAWING STATUS	SHEET NO.	ISSUE
ARCHITECTURAL RESOURCE	40	A
SCALE: 1:2	DATE: DECEMBER 2014	

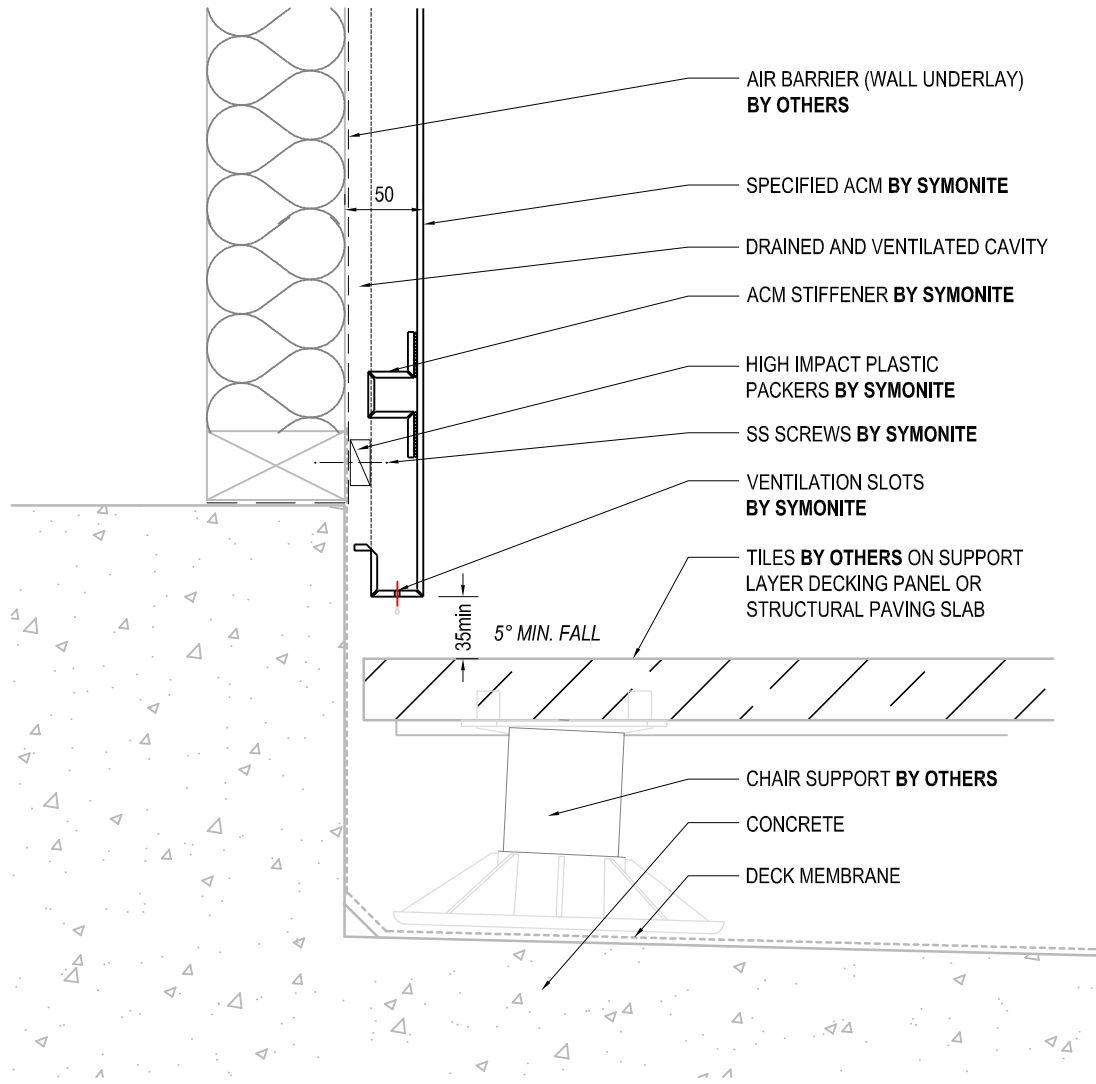
ROUT AND RETURN SYSTEM



DRAWING TITLE	DRAWING STATUS
SAMPLE BALUSTRADE DETAIL 2	ARCHITECTURAL RESOURCE

SHEET NO.	ISSUE
41	A
SCALE: 1:5	DATE: DECEMBER 2014

ROUT AND RETURN SYSTEM



SYMONITE

DRAWING TITLE

SAMPLE DECK DETAIL

DRAWING STATUS

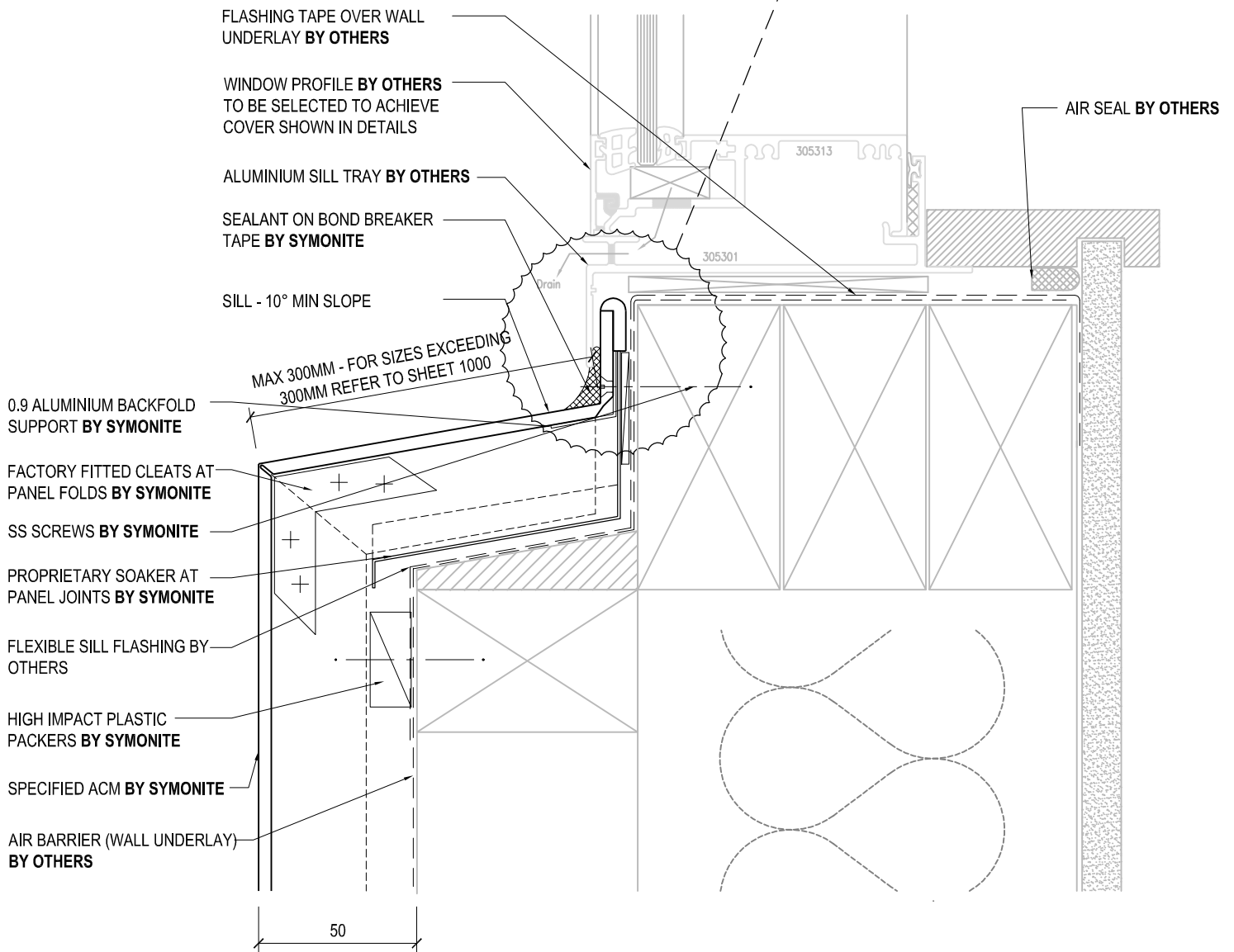
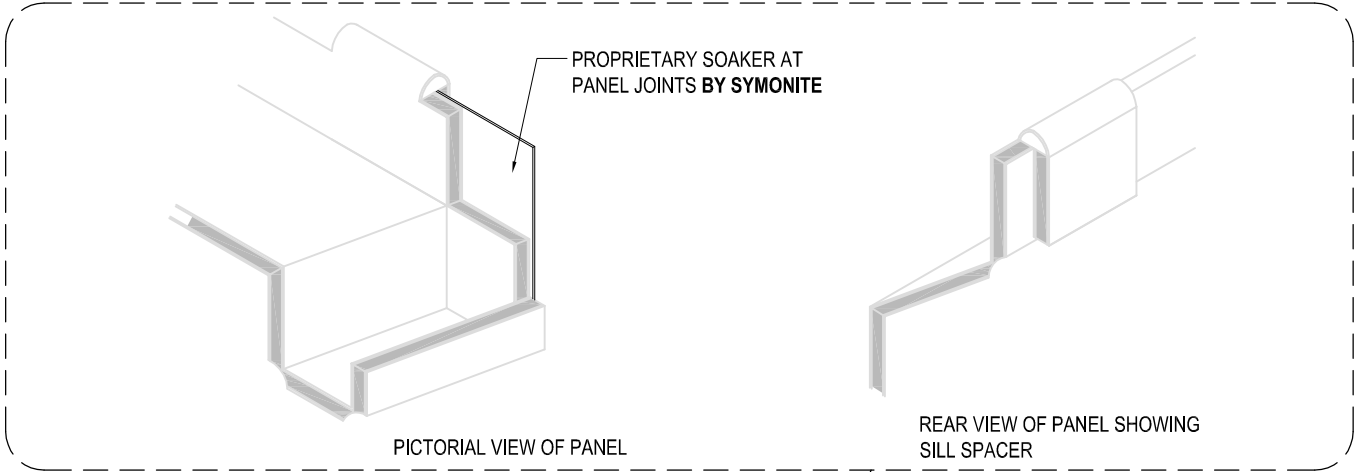
**ARCHITECTURAL
RESOURCE**

SHEET NO. 42	ISSUE A
------------------------	-------------------

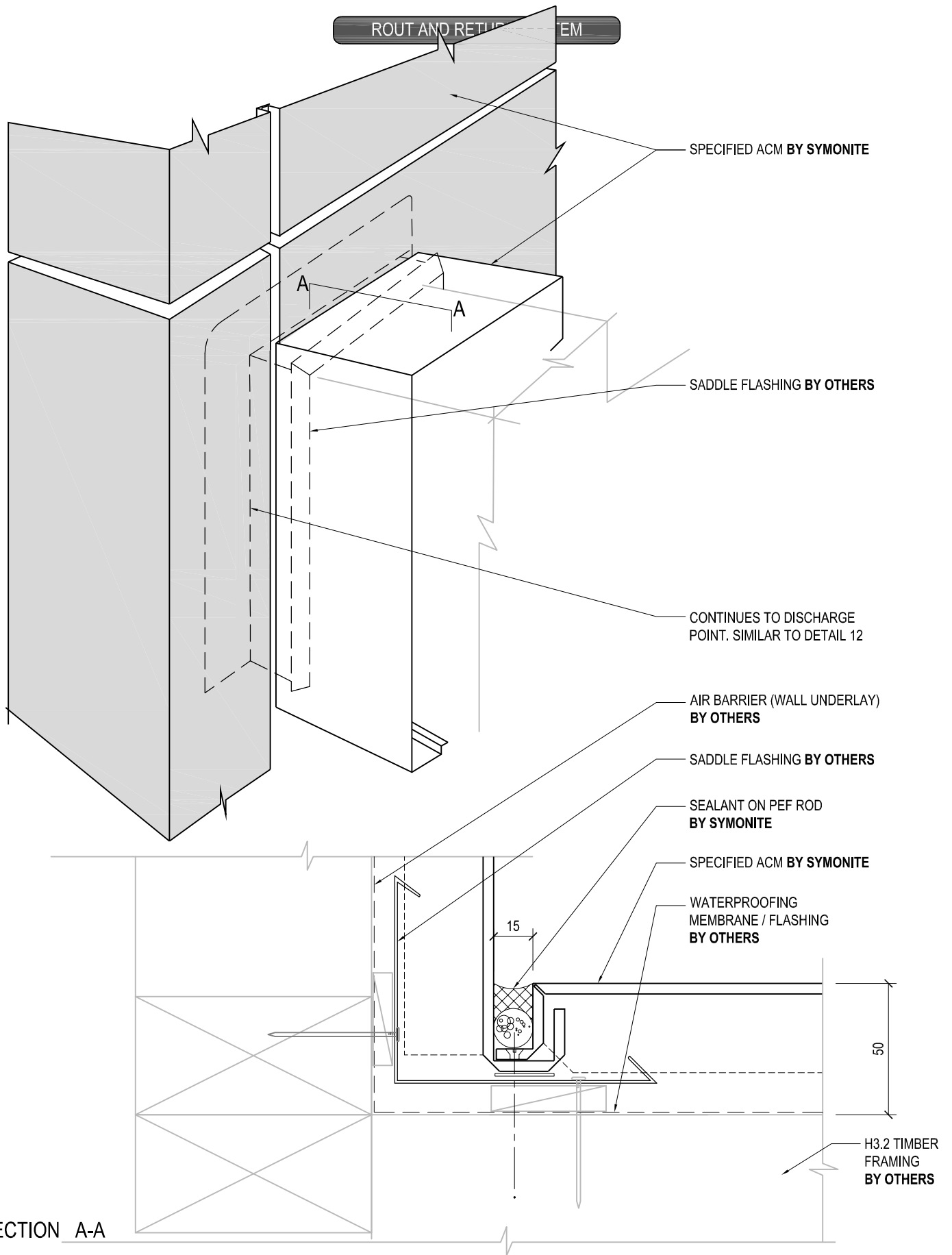
SCALE: 1:5

DATE: DECEMBER 2014

ROUT AND RETURN SYSTEM



DRAWING TITLE		DRAWING STATUS	
COMMERCIAL WINDOW SILL DETAIL - RECESSED		ARCHITECTURAL RESOURCE	SHEET NO. 43
		ISSUE A	DATE: DECEMBER 2014
		SCALE: 1:2	



SYMONITE

DRAWING TITLE

ACM TO ACM CONNECTION

DRAWING STATUS

**ARCHITECTURAL
RESOURCE**

SHEET NO.

44

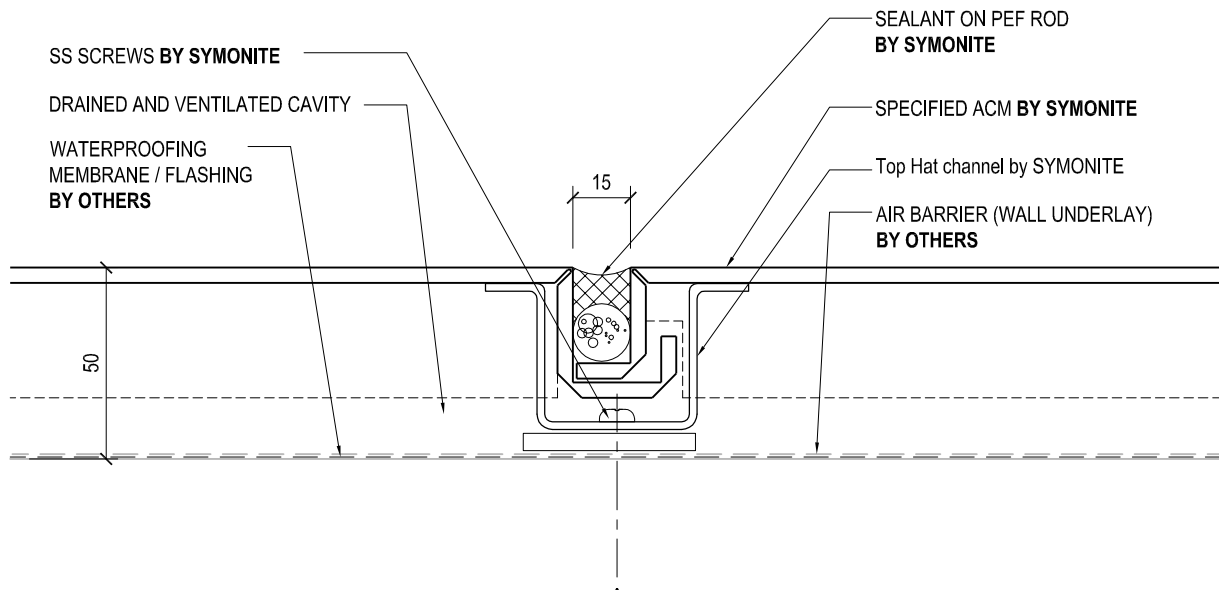
ISSUE

A

SCALE: 1:2

DATE: DECEMBER 2014

ROUT AND RETURN SYSTEM



NOTE

- THIS DETAIL APPLIES TO ACM JOINTS LONGER THAN 300MM SLOPING LESS THAN 30°.



<small>DRAWING TITLE</small>	JOINT WITH EDGE SUPPORT DETAIL		
------------------------------	---	--	--

<small>DRAWING STATUS</small>		
ARCHITECTURAL RESOURCE	SHEET NO. 1000	ISSUE A
<small>SCALE: 1:2</small>	<small>DATE: DECEMBER 2014</small>	