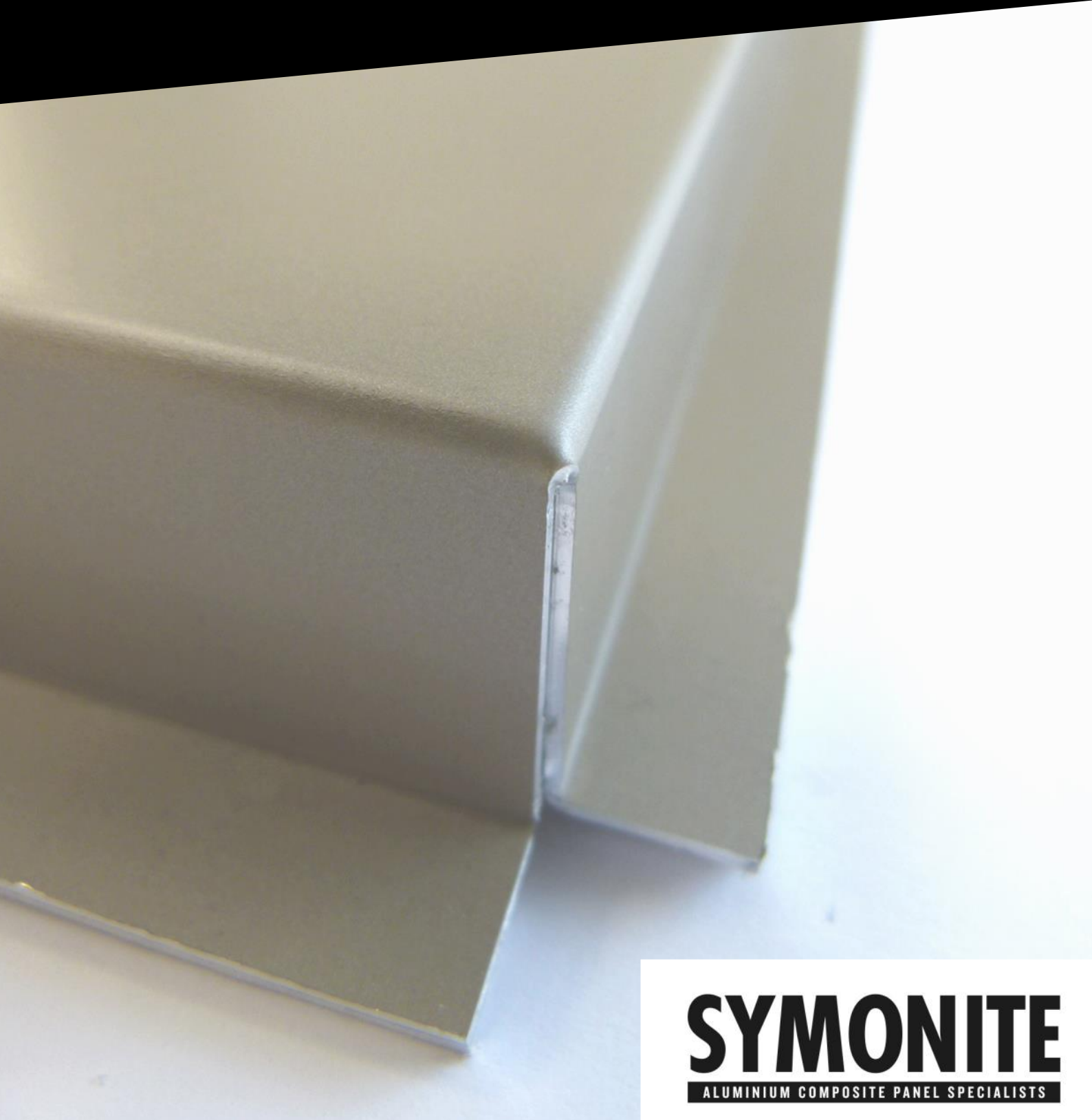
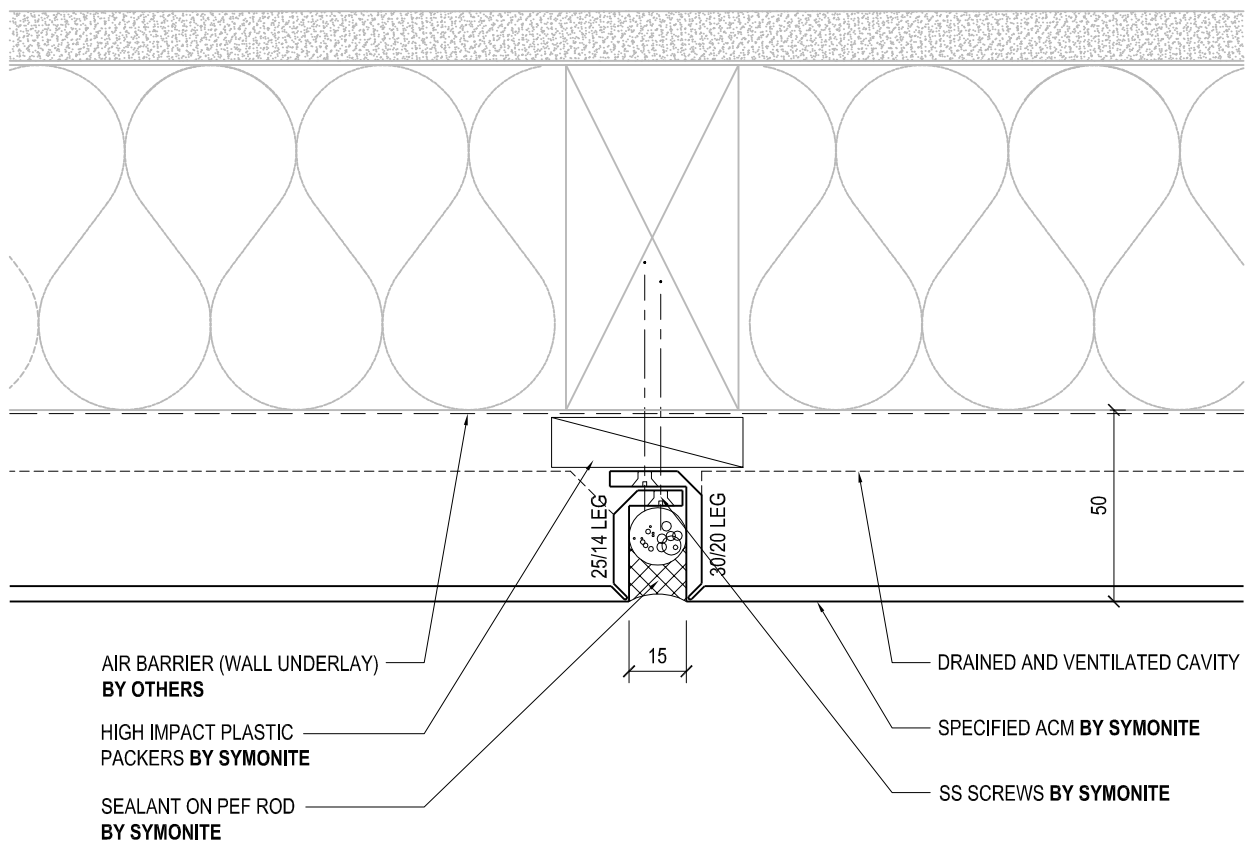


Rout and Return System

Typical Details

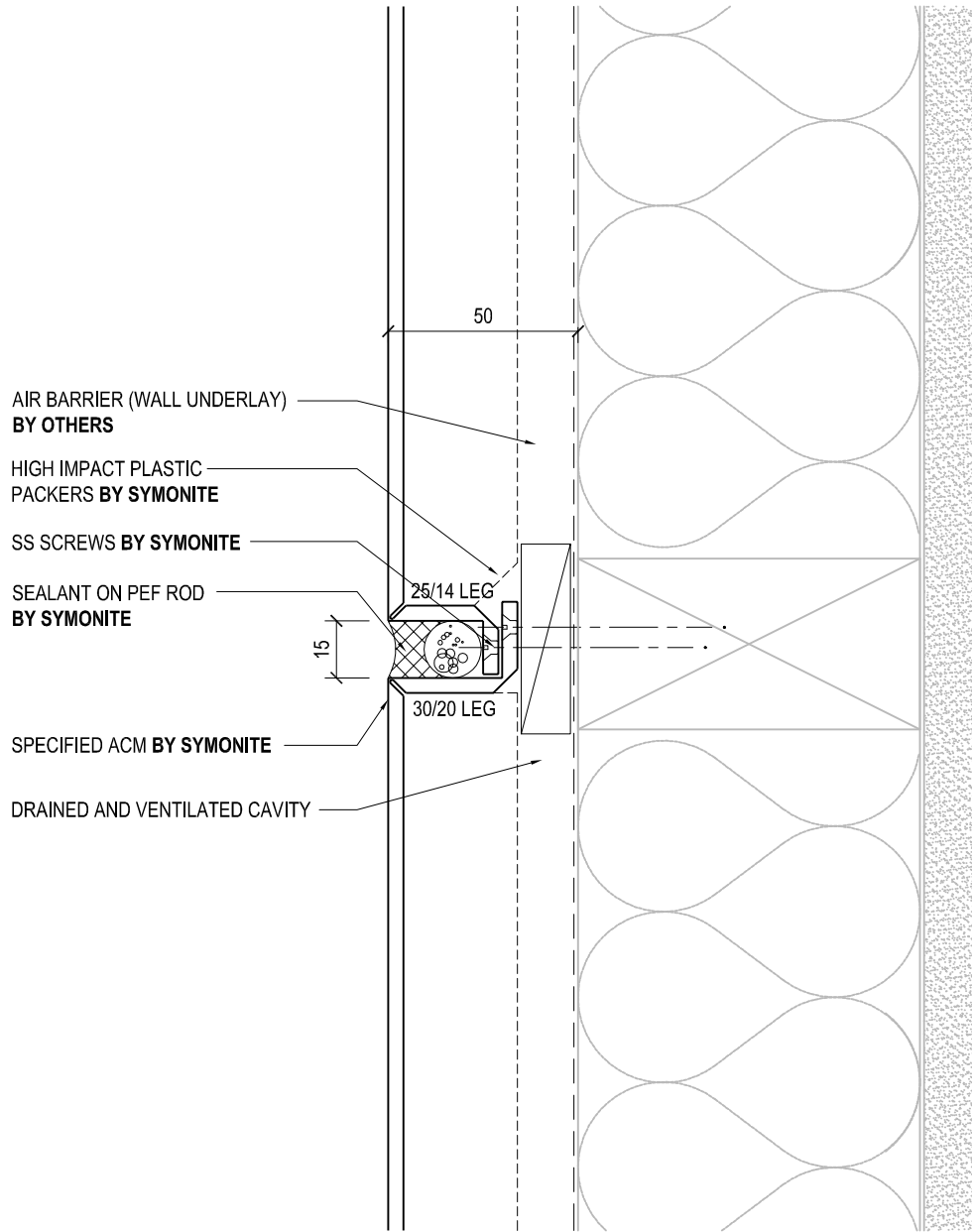


ROUT AND RETURN SYSTEM



| | | | | | |
|-----------------|--------------------------------|-----------------------------------|---------------------|-----------|-------|
| SYMONITE | DRAWING TITLE | DRAWING STATUS | | SHEET NO. | ISSUE |
| | STANDARD VERTICAL JOINT DETAIL | ARCHITECTURAL RESOURCE | 01 | A | |
| | | SCALE: 1:2 | DATE: DECEMBER 2014 | | |

ROUT AND RETURN SYSTEM



SYMONITE

DRAWING TITLE

STANDARD HORIZONTAL JOINT DETAIL

DRAWING STATUS

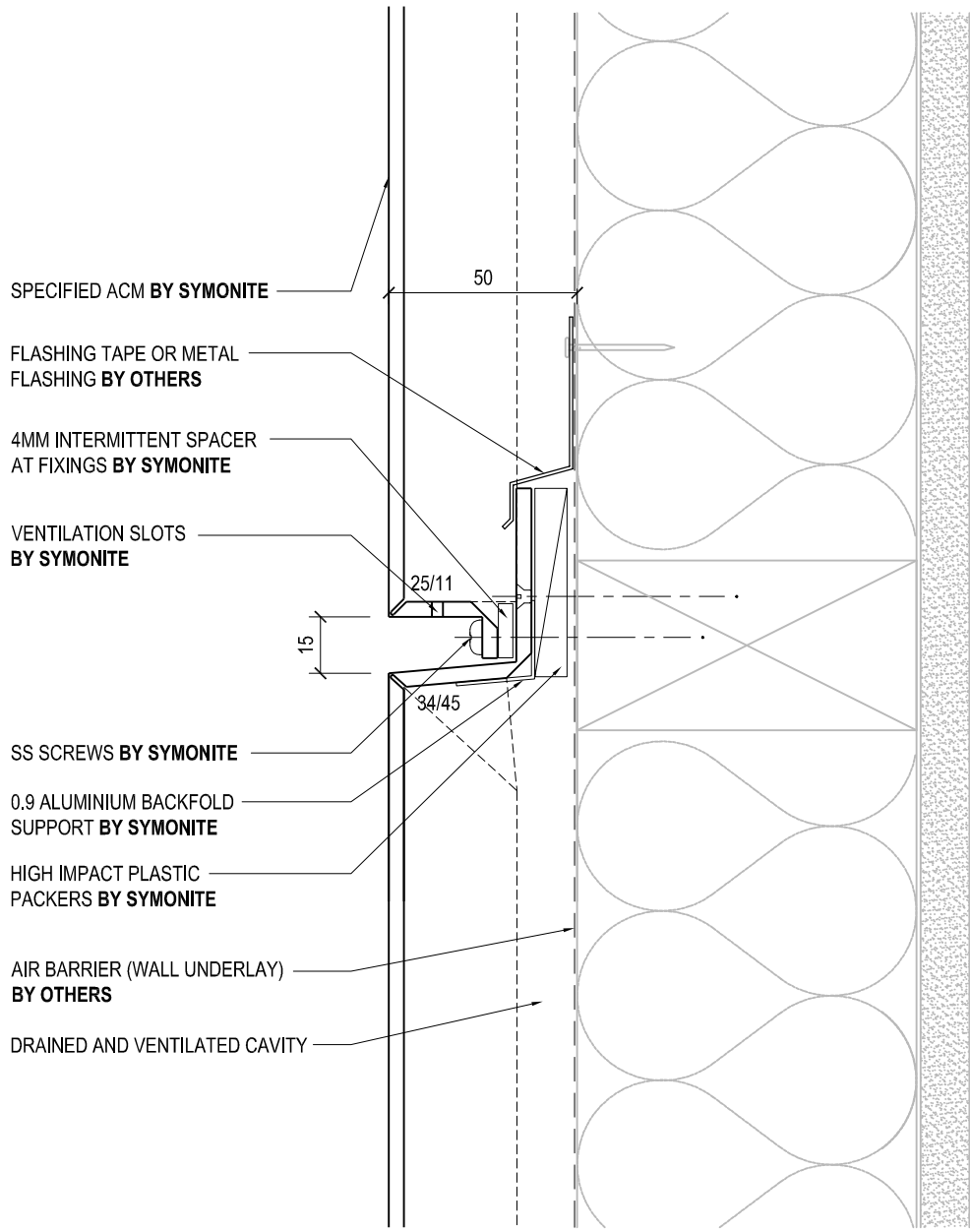
**ARCHITECTURAL
RESOURCE**

| | |
|-----------|-------|
| SHEET NO. | ISSUE |
| 02 | A |

SCALE: 1:2

DATE: DECEMBER 2014

ROUT AND RETURN SYSTEM



NOTE

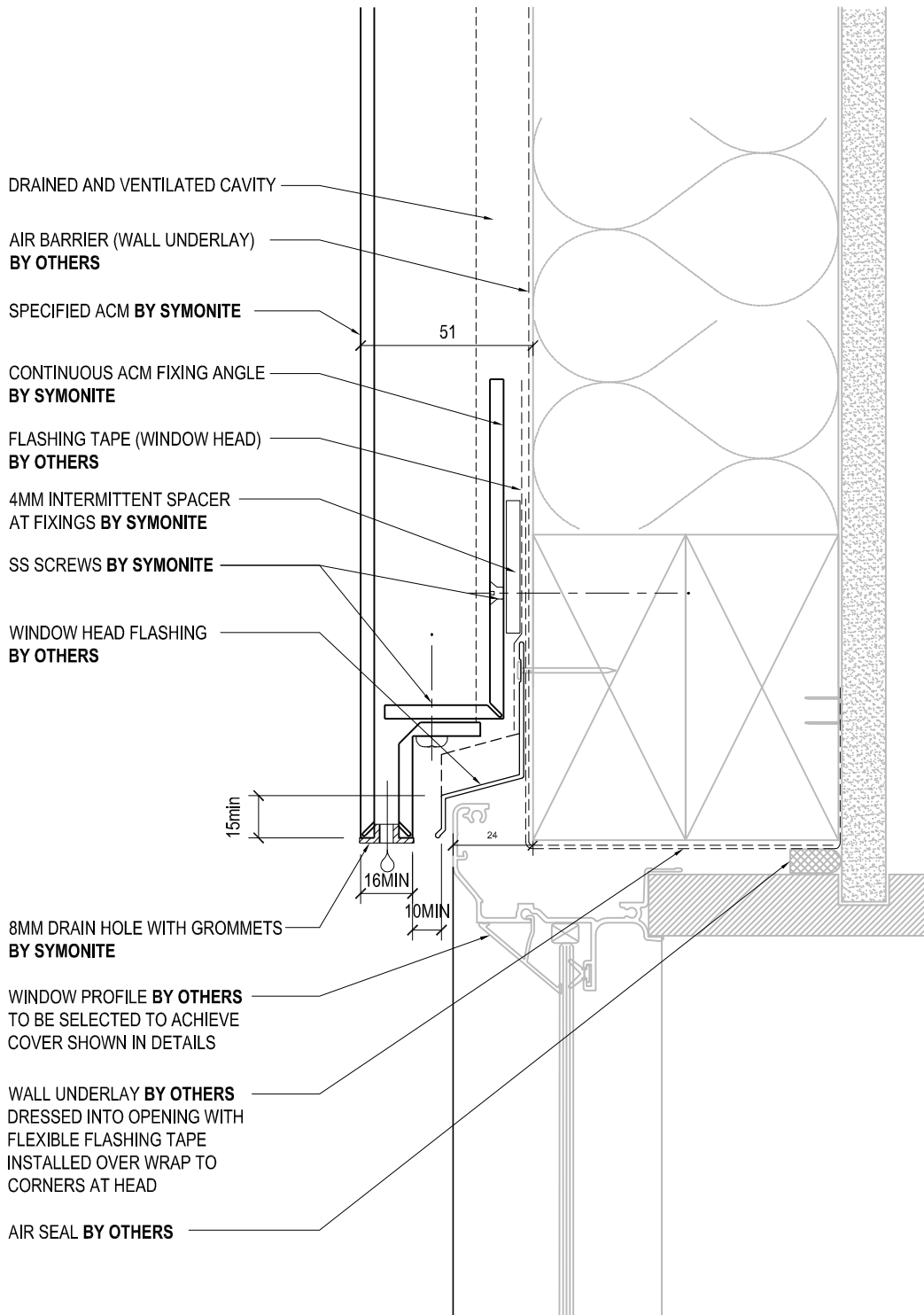
- OPEN DRAINAGE JOINT IS ONLY REQUIRED ON HIGHRISE BUILDINGS AT EVERY SECOND FLOOR LEVEL. FOR BUILDINGS WHERE THE ACM WALL SPANS OVER MORE THAN 3 STOREYS HIGH



| | |
|------------------------|-------------------------------|
| DRAWING TITLE | DRAWING STATUS |
| 15mm OPEN JOINT DETAIL | ARCHITECTURAL RESOURCE |
| | SCALE: 1:2 |

| | |
|------------------------------------|----------------------|
| <small>SHEET NO.</small> | <small>ISSUE</small> |
| 03 | A |
| <small>DATE: DECEMBER 2014</small> | |

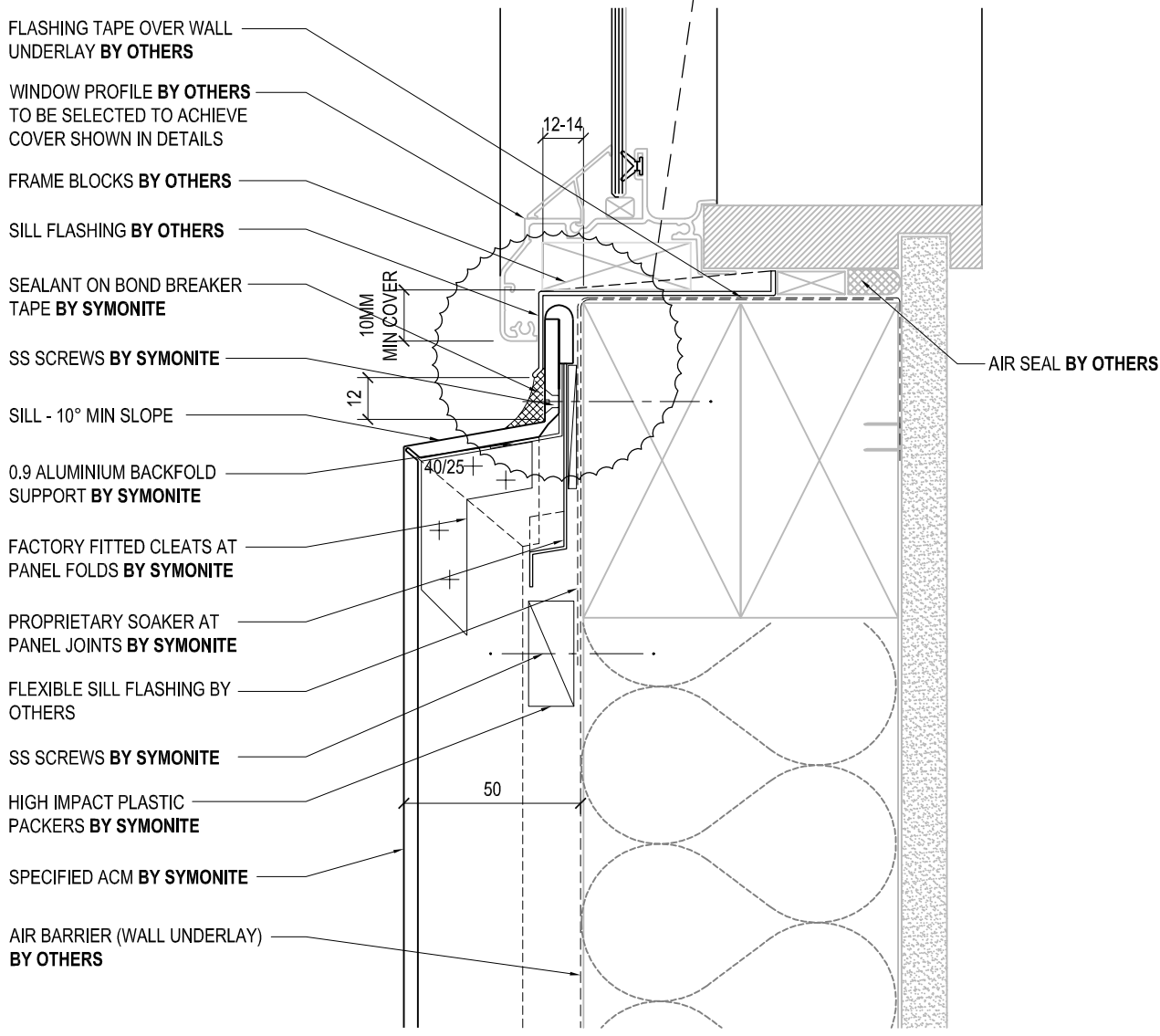
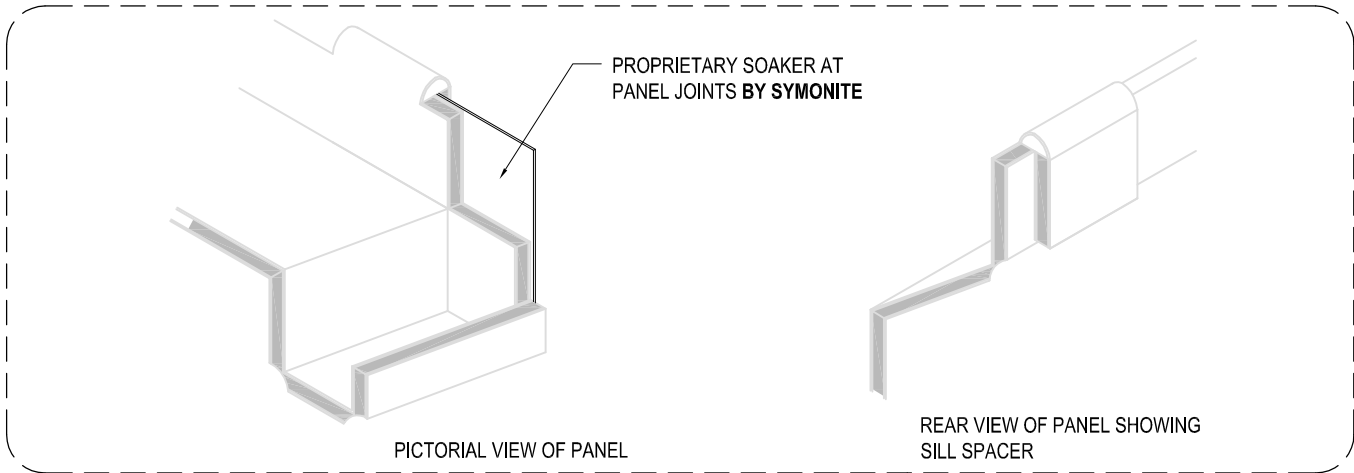
ROUT AND RETURN SYSTEM



| | |
|----------------------|---|
| DRAWING TITLE | RESIDENTIAL WINDOW HEAD DETAIL |
|----------------------|---|

| | | | |
|-----------------------------------|--|------------------------------------|----------------------|
| DRAWING STATUS | | <small>SHEET NO.</small> | <small>ISSUE</small> |
| ARCHITECTURAL RESOURCE | | 04 | A |
| <small>SCALE: 1:2</small> | | <small>DATE: DECEMBER 2014</small> | |

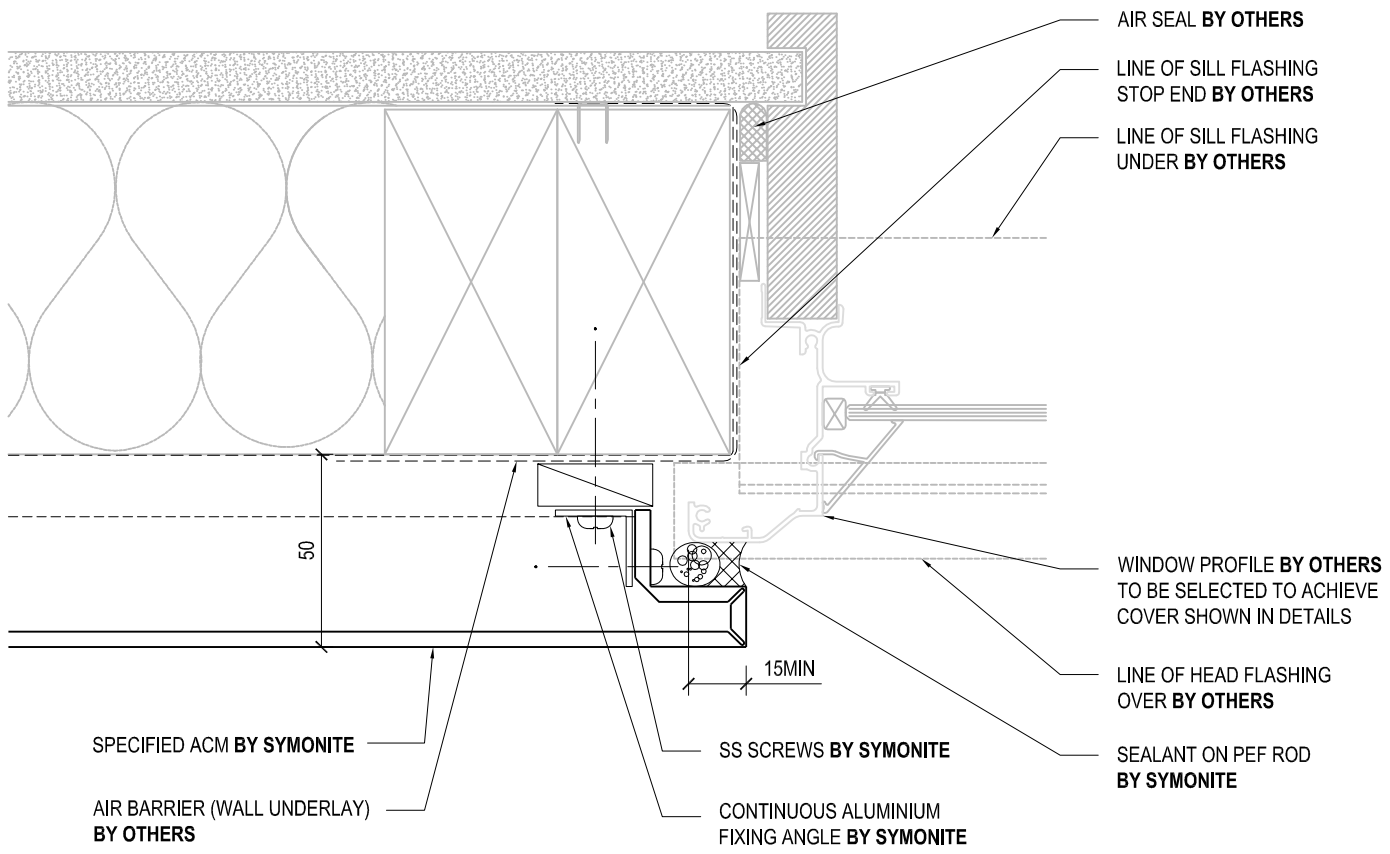
ROUT AND RETURN SYSTEM



| | | | |
|---------------|--------------------------------|--|--|
| DRAWING TITLE | RESIDENTIAL WINDOW SILL DETAIL | | |
|---------------|--------------------------------|--|--|

| | | | |
|----------------|------------------------|--------------|---------|
| DRAWING STATUS | ARCHITECTURAL RESOURCE | SHEET NO. 05 | ISSUE A |
| SCALE: 1:2 | DATE: DECEMBER 2014 | | |

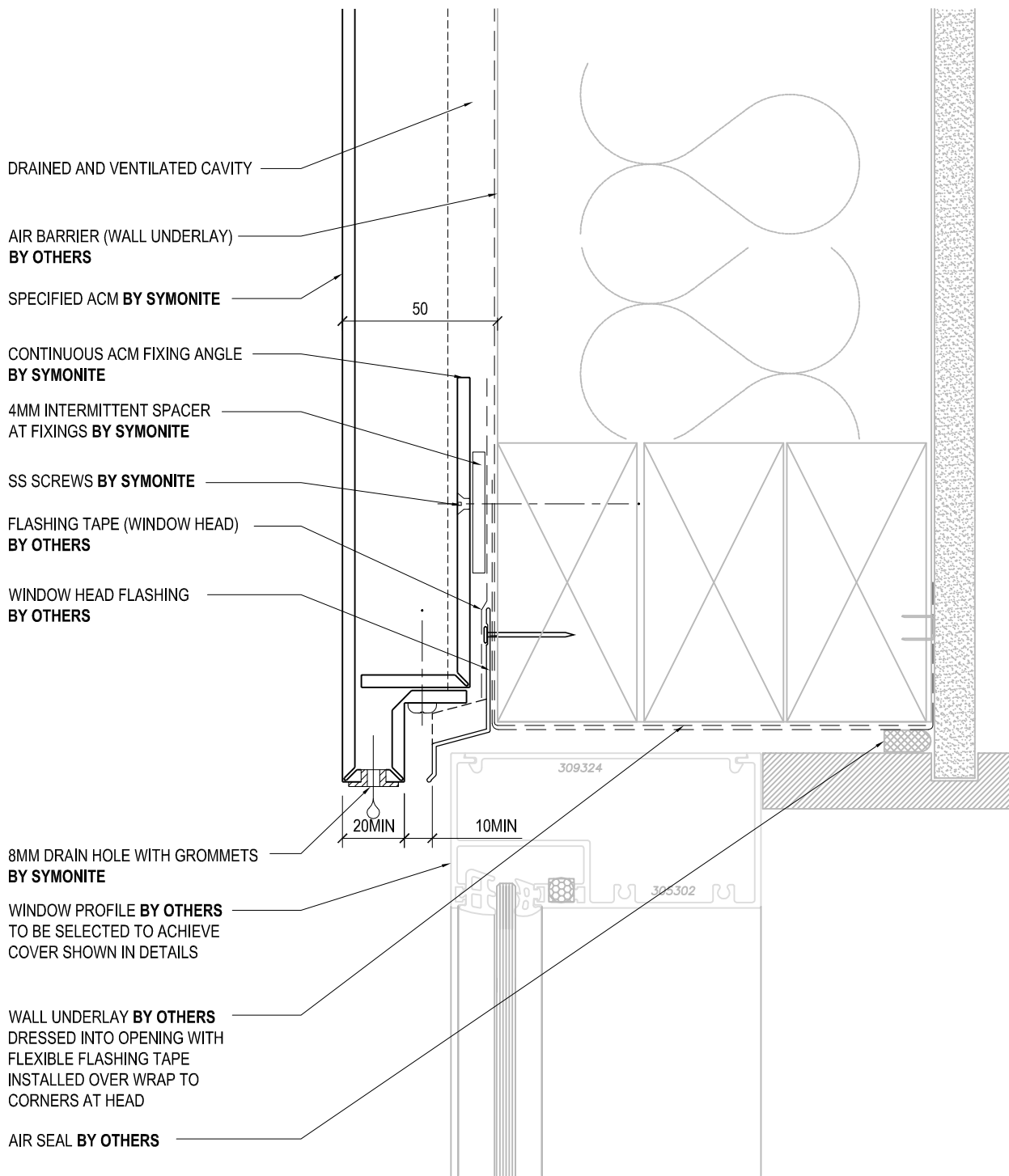
ROUT AND RETURN SYSTEM



| | | |
|----------------------|---------------------------------------|-------------------------------|
| DRAWING TITLE | RESIDENTIAL WINDOW JAMB DETAIL | DRAWING STATUS |
| | | ARCHITECTURAL RESOURCE |
| | | SCALE: 1:2 |

| | | | |
|--------------------------|----|----------------------|---|
| <small>SHEET NO.</small> | 06 | <small>ISSUE</small> | A |
| <small>DATE:</small> | | DECEMBER 2014 | |

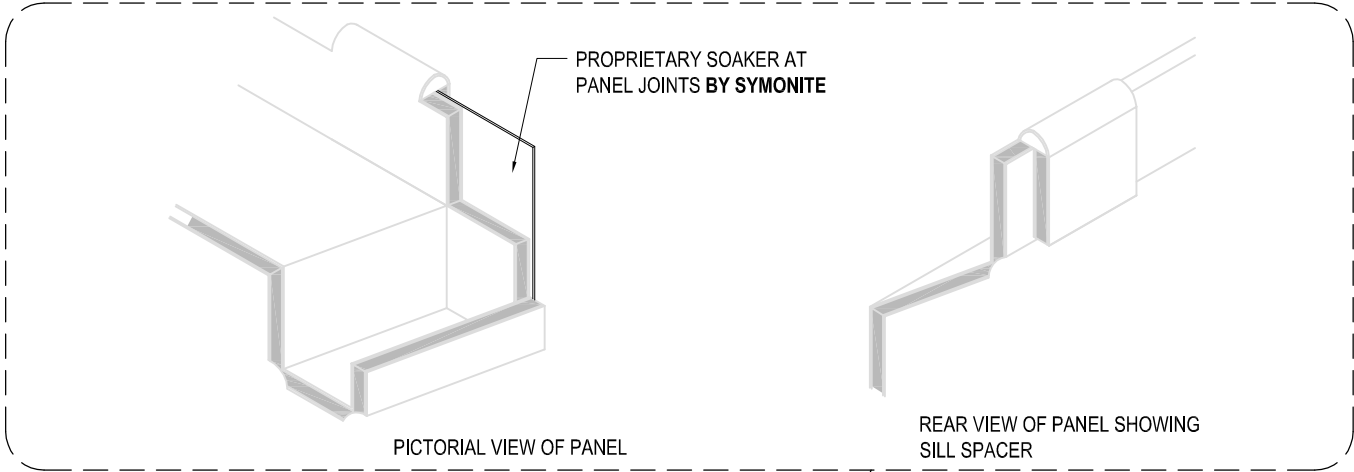
ROUT AND RETURN SYSTEM



| | |
|-------------------------------|------------------------|
| DRAWING TITLE | DRAWING STATUS |
| COMMERCIAL WINDOW HEAD DETAIL | ARCHITECTURAL RESOURCE |

| | |
|------------|---------------------|
| SHEET NO. | ISSUE |
| 07 | A |
| SCALE: 1:2 | DATE: DECEMBER 2014 |

ROUT AND RETURN SYSTEM



FLASHING TAPE OVER WALL UNDERLAY BY OTHERS

WINDOW PROFILE BY OTHERS TO BE SELECTED TO ACHIEVE COVER SHOWN IN DETAILS

AIR SEAL BY OTHERS

ALUMINIUM SILL TRAY BY OTHERS

SEALANT ON BOND BREAKER TAPE BY SYMONITE

SILL - 10° MIN SLOPE

0.9 ALUMINIUM BACKFOLD SUPPORT BY SYMONITE

SS SCREWS BY SYMONITE

PROPRIETARY SOAKER AT PANEL JOINTS BY SYMONITE

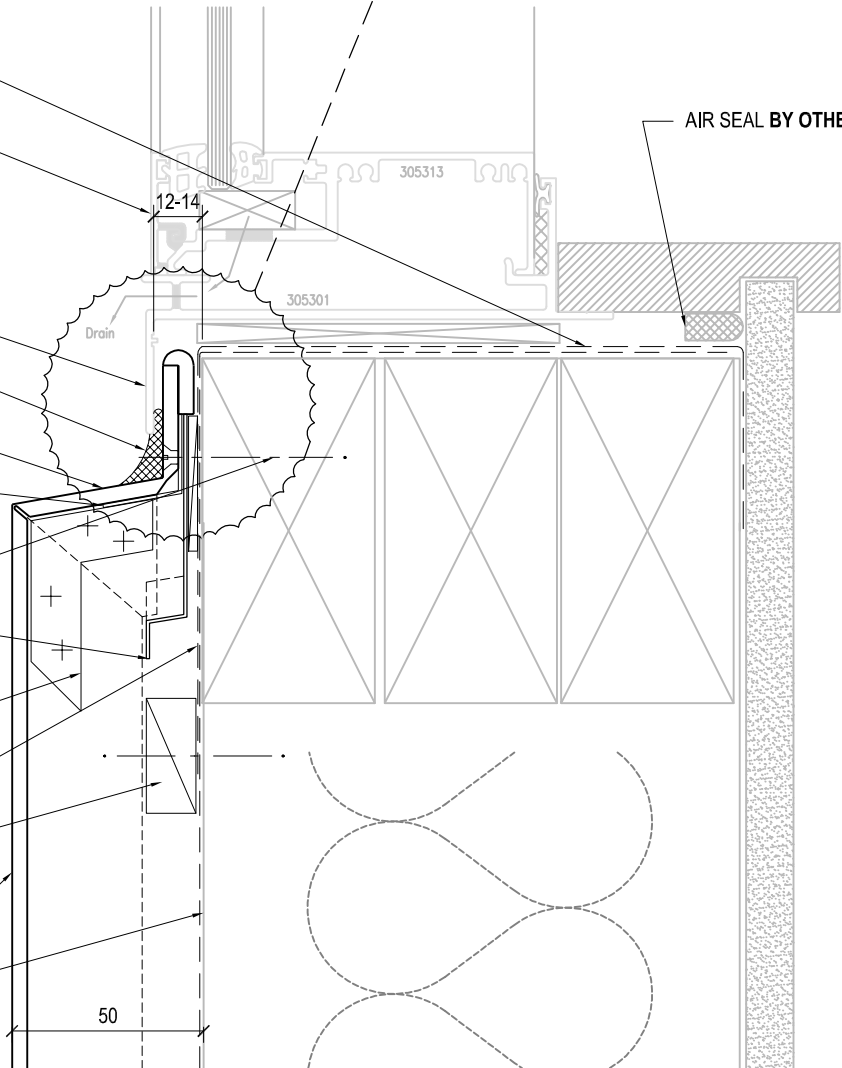
FACTORY FITTED CLEATS AT PANEL FOLDS BY SYMONITE

FLEXIBLE SILL FLASHING BY OTHERS

HIGH IMPACT PLASTIC PACKERS BY SYMONITE

SPECIFIED ACM BY SYMONITE

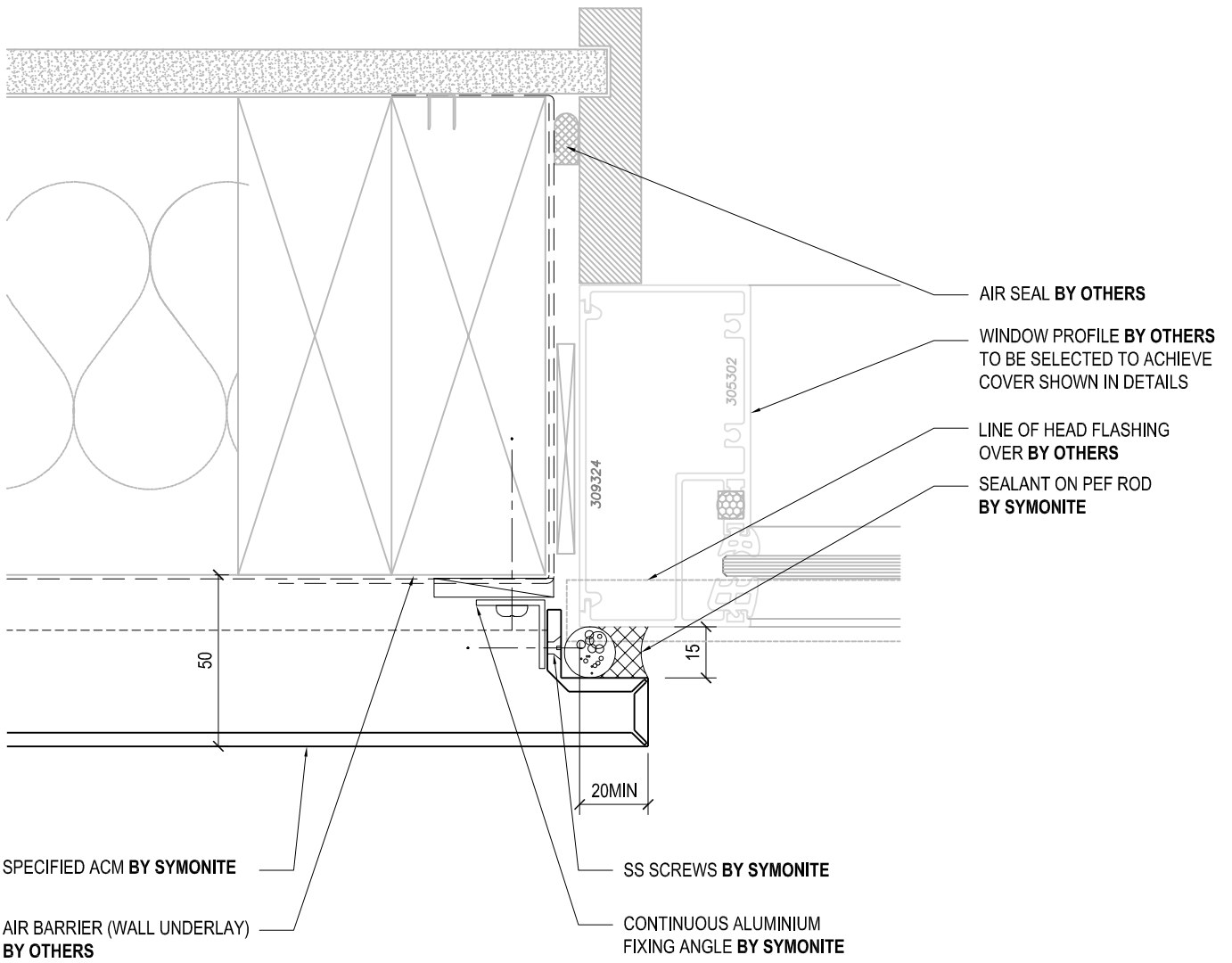
AIR BARRIER (WALL UNDERLAY) BY OTHERS



| | | | |
|---------------|-------------------------------|--|--|
| DRAWING TITLE | COMMERCIAL WINDOW SILL DETAIL | | |
|---------------|-------------------------------|--|--|

| | | | |
|----------------|------------------------|--------------|---------|
| DRAWING STATUS | ARCHITECTURAL RESOURCE | SHEET NO. 08 | ISSUE A |
| SCALE: 1:2 | DATE: DECEMBER 2014 | | |

ROUT AND RETURN SYSTEM



SPECIFIED ACM BY SYMONITE

AIR BARRIER (WALL UNDERLAY) BY OTHERS

SS SCREWS BY SYMONITE

CONTINUOUS ALUMINIUM FIXING ANGLE BY SYMONITE

AIR SEAL BY OTHERS

WINDOW PROFILE BY OTHERS TO BE SELECTED TO ACHIEVE COVER SHOWN IN DETAILS

LINE OF HEAD FLASHING OVER BY OTHERS

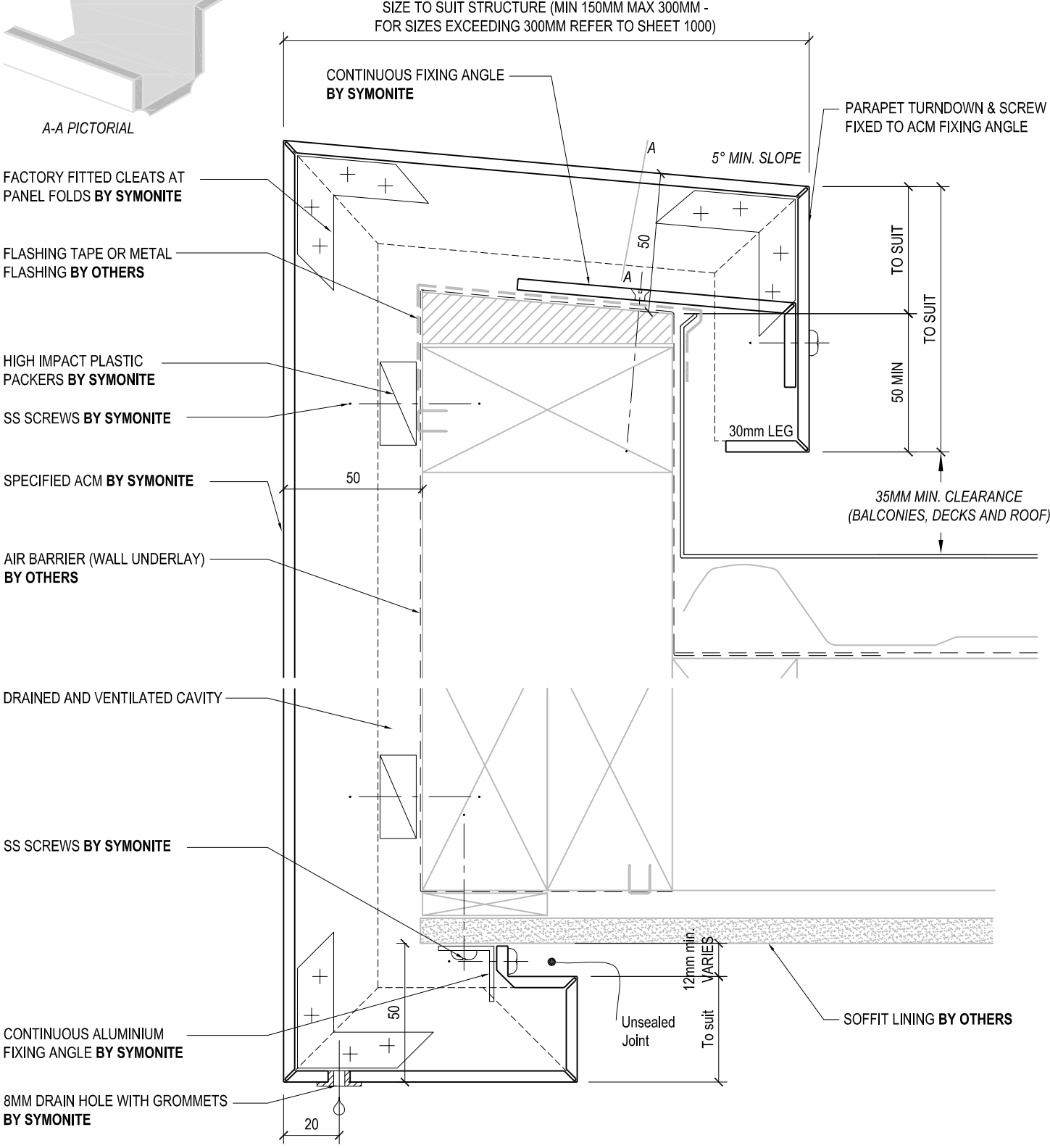
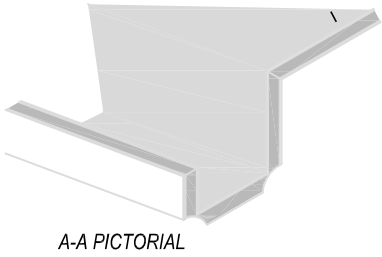
SEALANT ON PEF ROD BY SYMONITE

| | | | | |
|-----------------|--------------------------------------|-------------------------------|---------------------------------------|----------------------------------|
| SYMONITE | <small>DRAWING TITLE</small> | <small>DRAWING STATUS</small> | | |
| | COMMERCIAL WINDOW JAMB DETAIL | ARCHITECTURAL RESOURCE | <small>SHEET NO.</small> 09 | <small>ISSUE</small> A |
| | | <small>SCALE: 1:2</small> | <small>DATE: DECEMBER 2014</small> | |

SYMONITE PANELS LIMITED, P.O.Box 101 760, North Shore, Auckland, 72 Ellice Road, Glenfield, Auckland, New Zealand, Telephone 09 443 3896, Facsimile 09 444 2142, Web Site www.symonite.co.nz

Copyright of this drawing shall remain the property of SYMONITE PANELS LTD. No part of this document may be reproduced or transmitted by any means without the prior permission in writing of SYMONITE PANELS LTD.

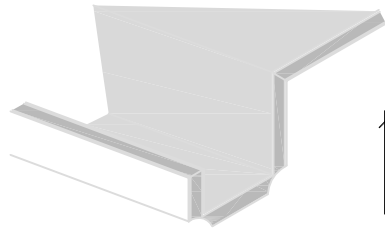
ROUT AND RETURN SYSTEM



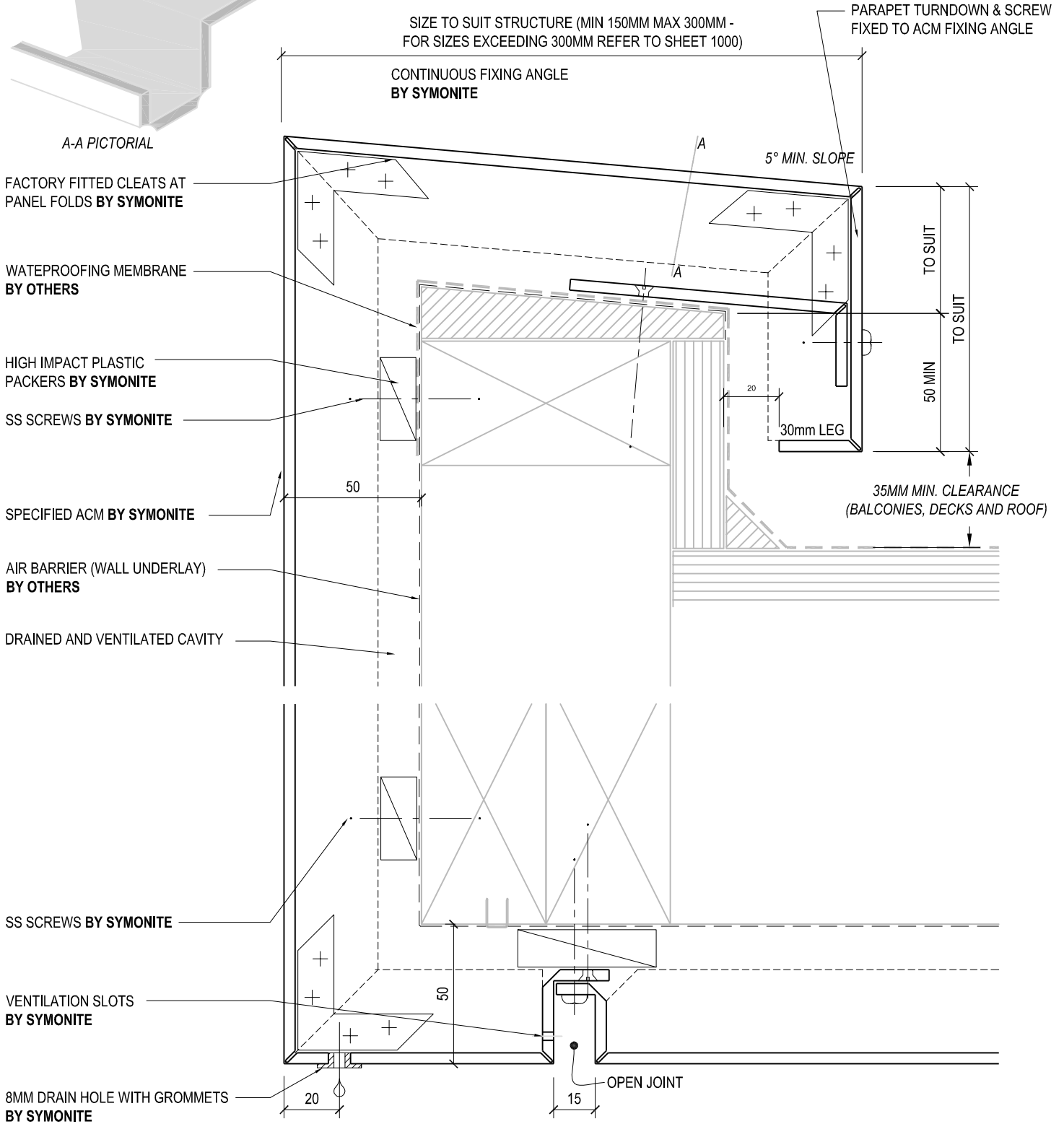
| | | | |
|---------------|--------------------------|--|--|
| DRAWING TITLE | FASCIA AND SOFFIT DETAIL | | |
|---------------|--------------------------|--|--|

| | | |
|----------------|------------------------|---------|
| DRAWING STATUS | ARCHITECTURAL RESOURCE | |
| SHEET NO. | 10 | ISSUE A |
| SCALE: 1:2 | DATE: DECEMBER 2014 | |

ROUT AND RETURN SYSTEM



A-A PICTORIAL



DRAWING TITLE

FASCIA AND SOFFIT DETAIL

DRAWING STATUS

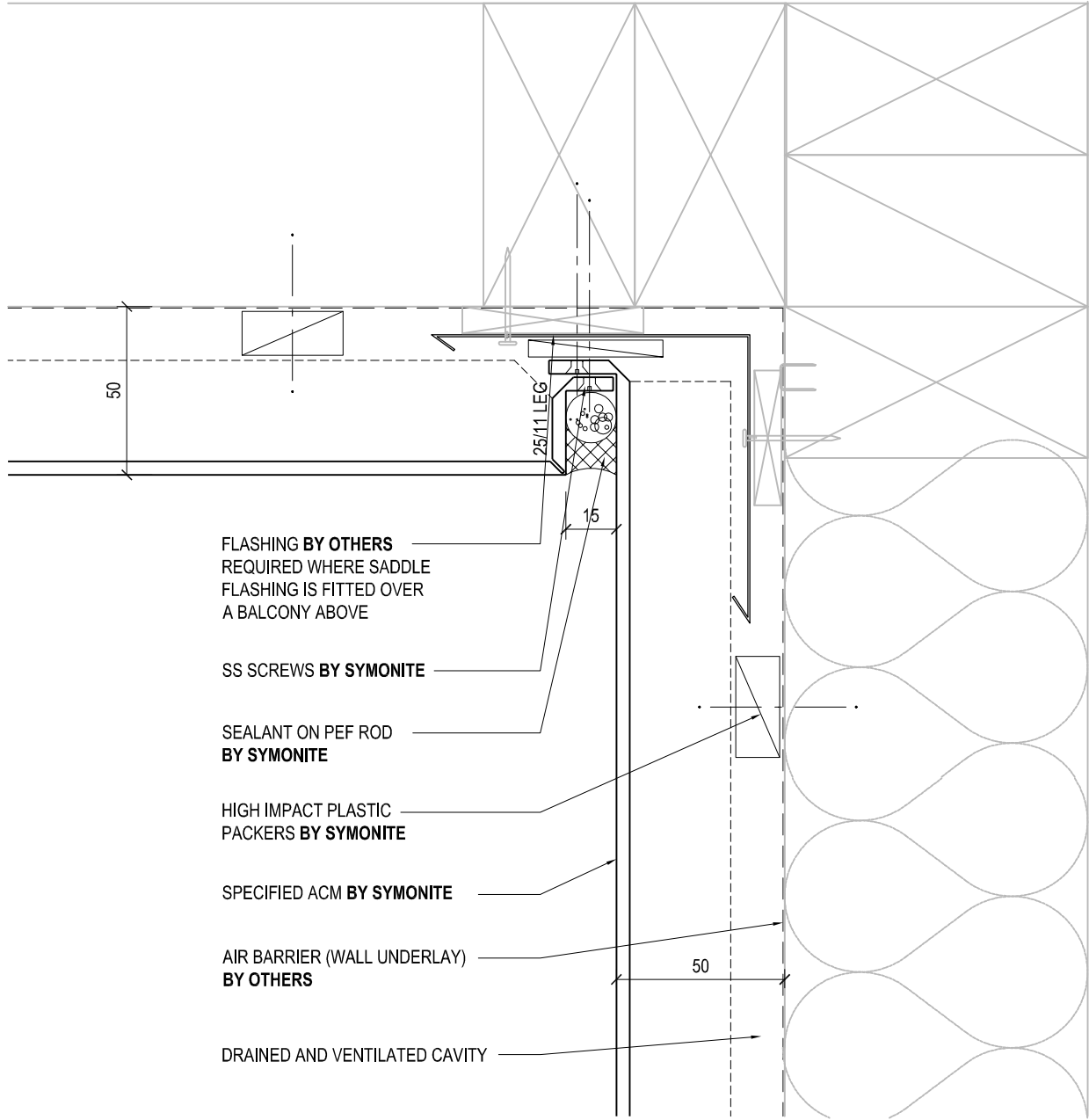
ARCHITECTURAL RESOURCE

| | |
|-----------|-------|
| SHEET NO. | ISSUE |
| 11 | A |

SCALE: 1:2

DATE: DECEMBER 2014

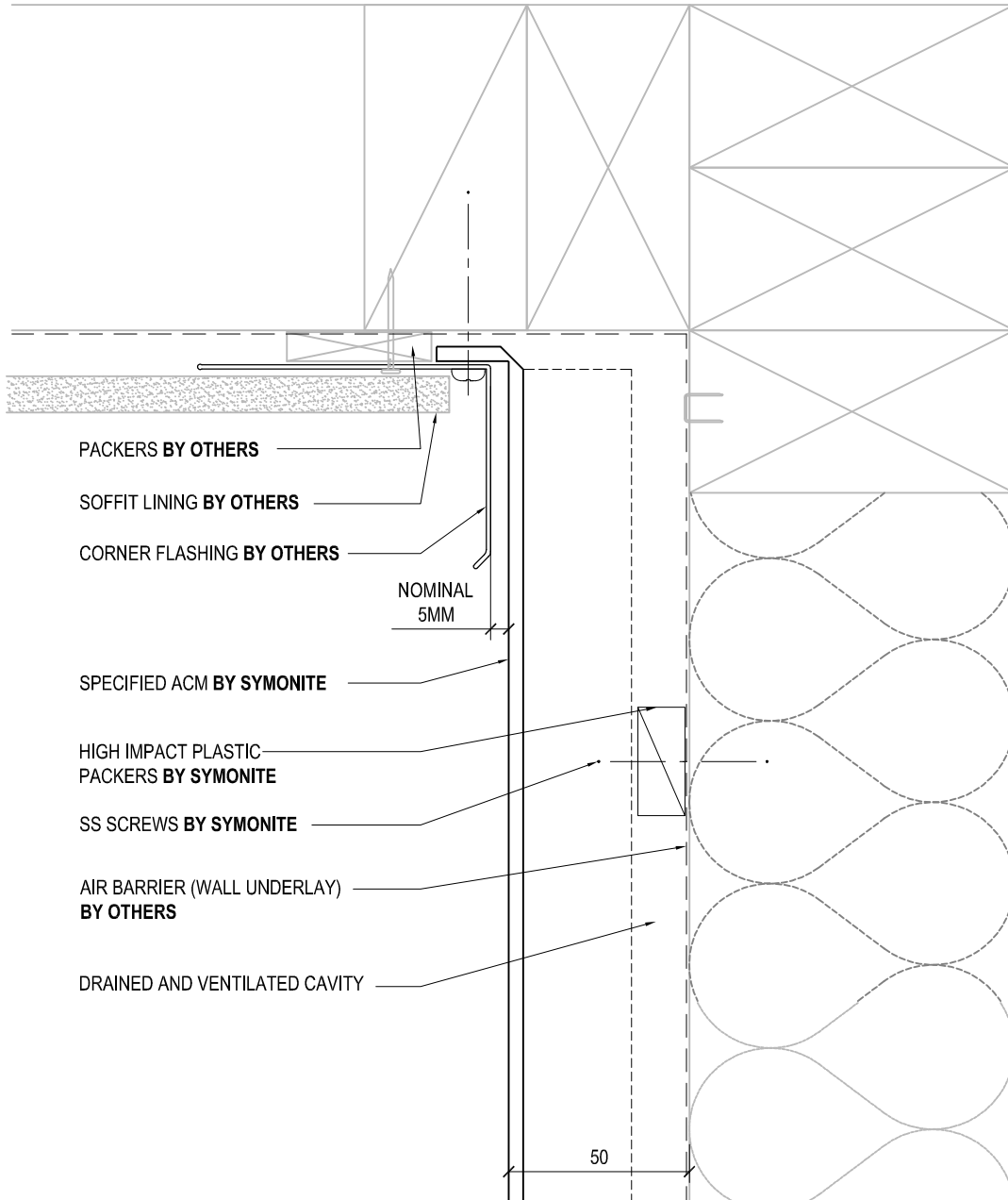
ROUT AND RETURN SYSTEM



| | | |
|----------------------|--------------------------------------|-----------------------------------|
| DRAWING TITLE | SOFFIT / WALL JUNCTION DETAIL | DRAWING STATUS |
| | | ARCHITECTURAL RESOURCE |
| | | SCALE: 1:2 |

| | | | |
|------------------------------------|----|----------------------|---|
| <small>SHEET NO.</small> | 12 | <small>ISSUE</small> | A |
| <small>DATE:</small> DECEMBER 2014 | | | |

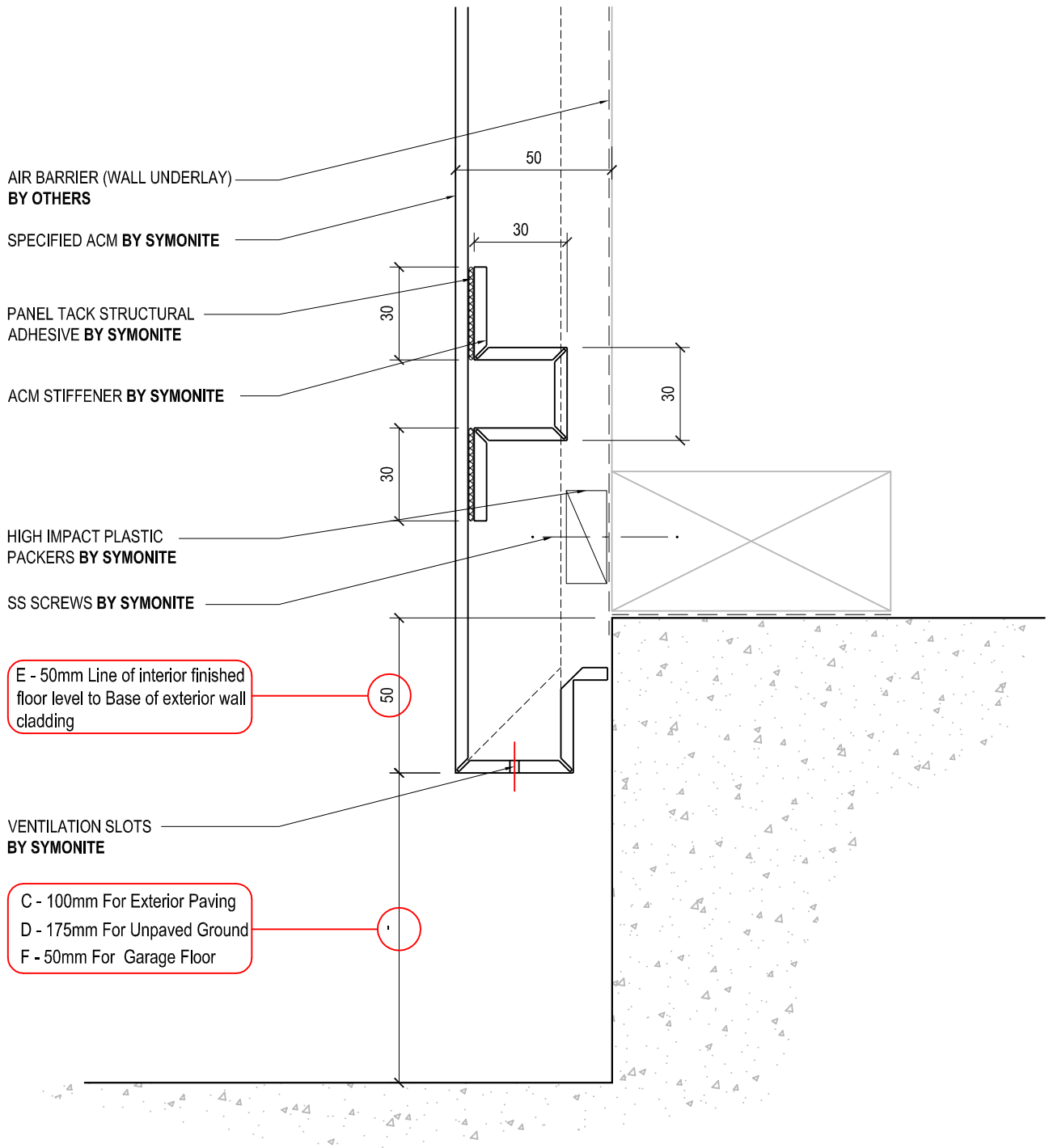
ROUT AND RETURN SYSTEM



| | | | |
|----------------------|--------------------------------------|--|--|
| DRAWING TITLE | SOFFIT / WALL JUNCTION DETAIL | | |
|----------------------|--------------------------------------|--|--|

| | | | |
|-----------------------|-------------------------------|---------------------|------------|
| DRAWING STATUS | ARCHITECTURAL RESOURCE | SHEET NO. 13 | ISSUE A |
| SCALE: 1:2 | | DATE: DECEMBER 2014 | |

ROUT AND RETURN SYSTEM



DRAWING TITLE

BASE CLEARANCE DETAIL 1

DRAWING STATUS

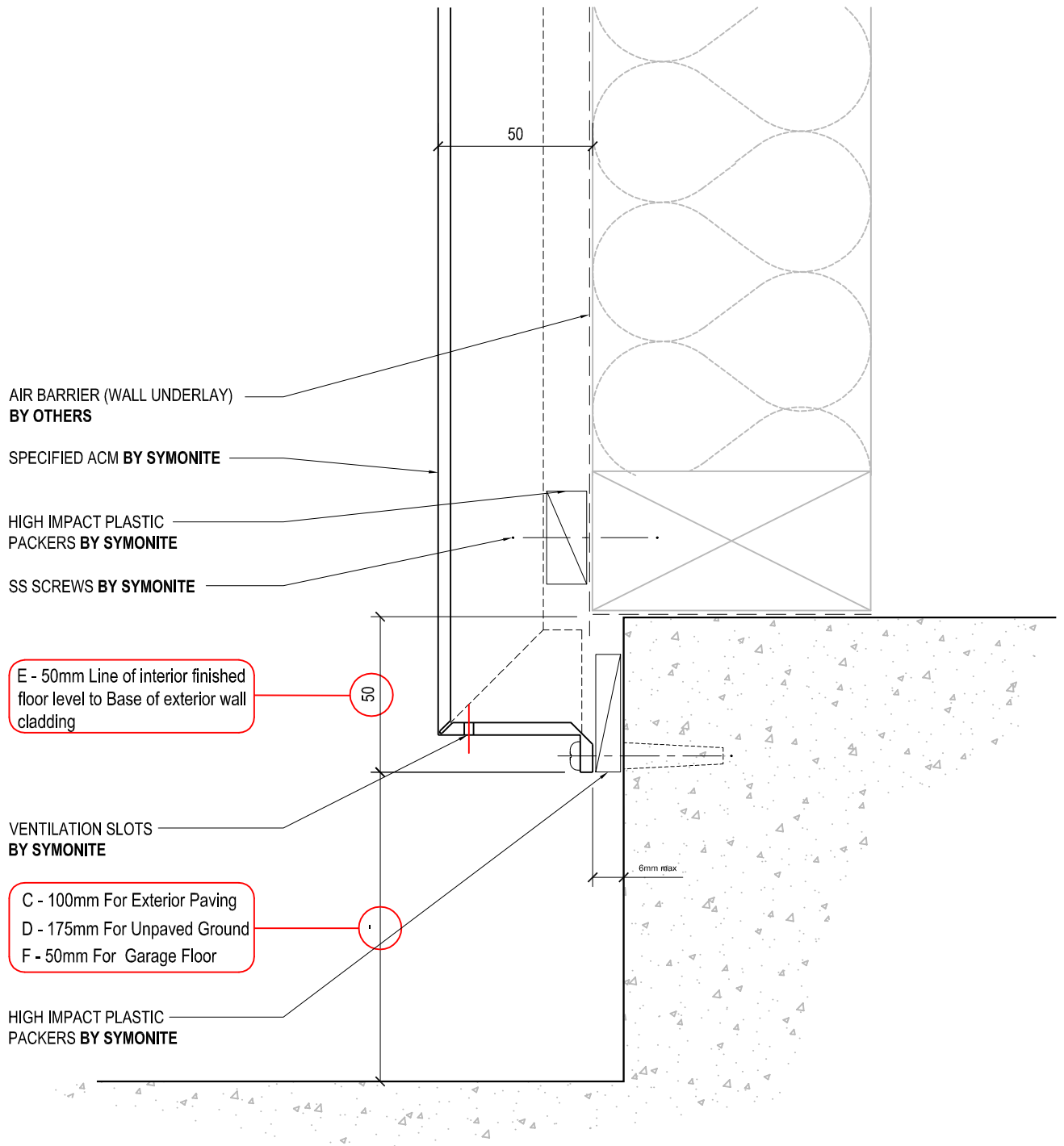
**ARCHITECTURAL
RESOURCE**

| | |
|-----------|-------|
| SHEET NO. | ISSUE |
| 14 | A |

SCALE: 1:2

DATE: DECEMBER 2014

ROUT AND RETURN SYSTEM



DRAWING TITLE

BASE CLEARANCE DETAIL 2

DRAWING STATUS

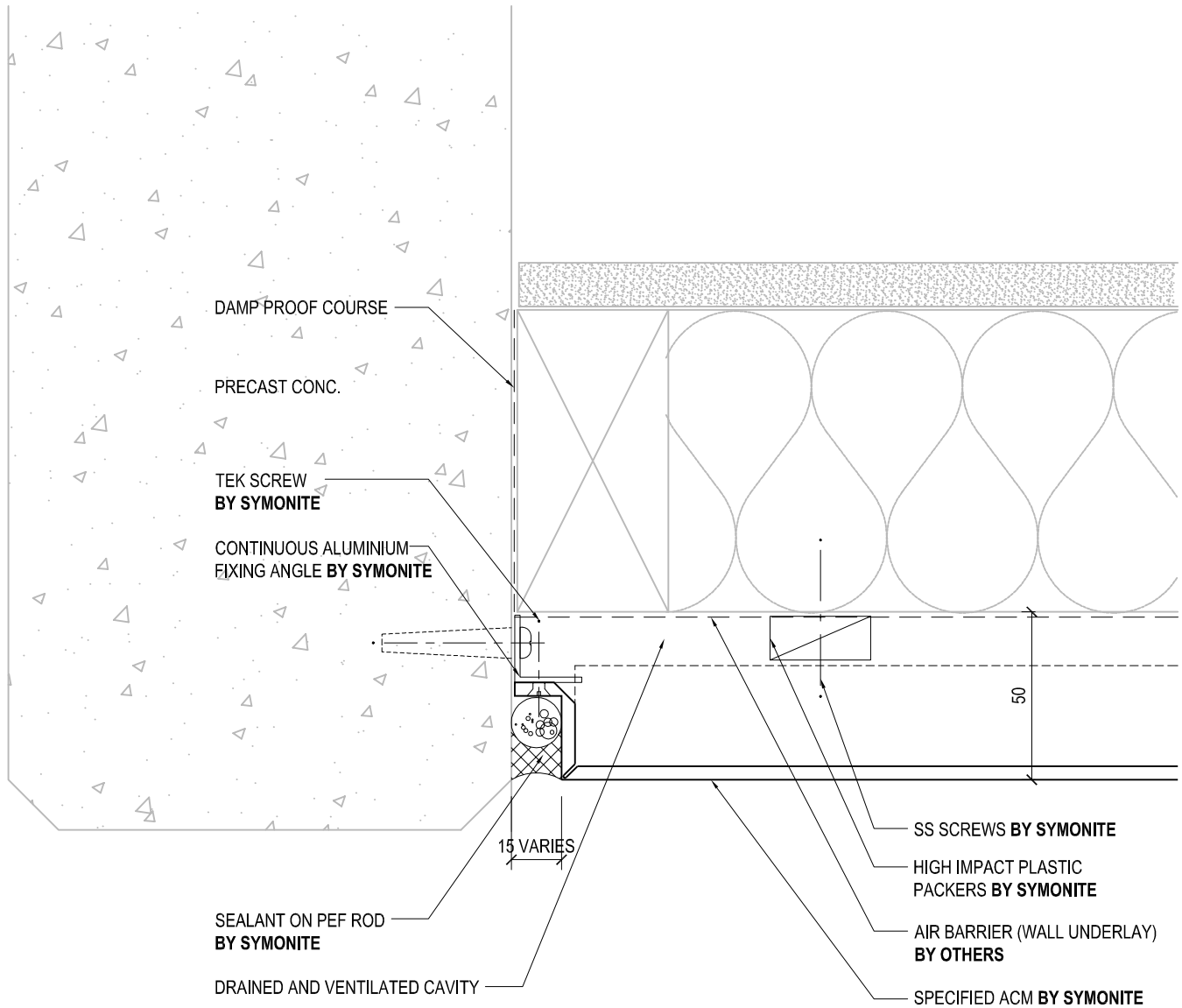
**ARCHITECTURAL
RESOURCE**

| | |
|-----------|-------|
| SHEET NO. | ISSUE |
| 15 | A |

SCALE: 1:2

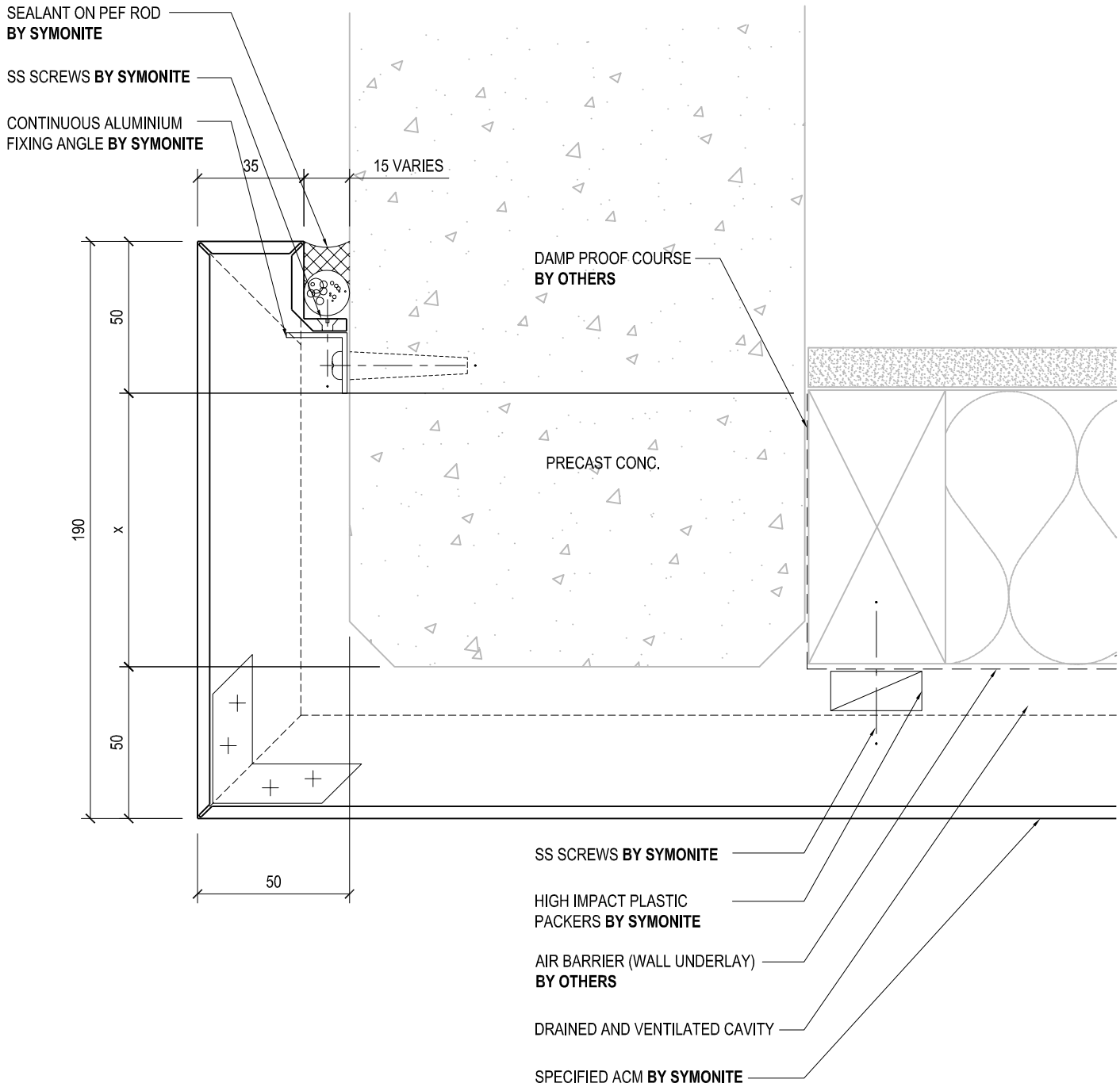
DATE: DECEMBER 2014

ROUT AND RETURN SYSTEM



| | | | |
|----------------------|---------------------------------|-------------------------------|--------------|
| DRAWING TITLE | DRAWING STATUS | | |
| | ACM / PRECAST JUNCTION DETAIL 1 | ARCHITECTURAL RESOURCE | SHEET NO. 16 |
| | | SCALE: 1:2 | ISSUE A |
| | | DATE: DECEMBER 2014 | |

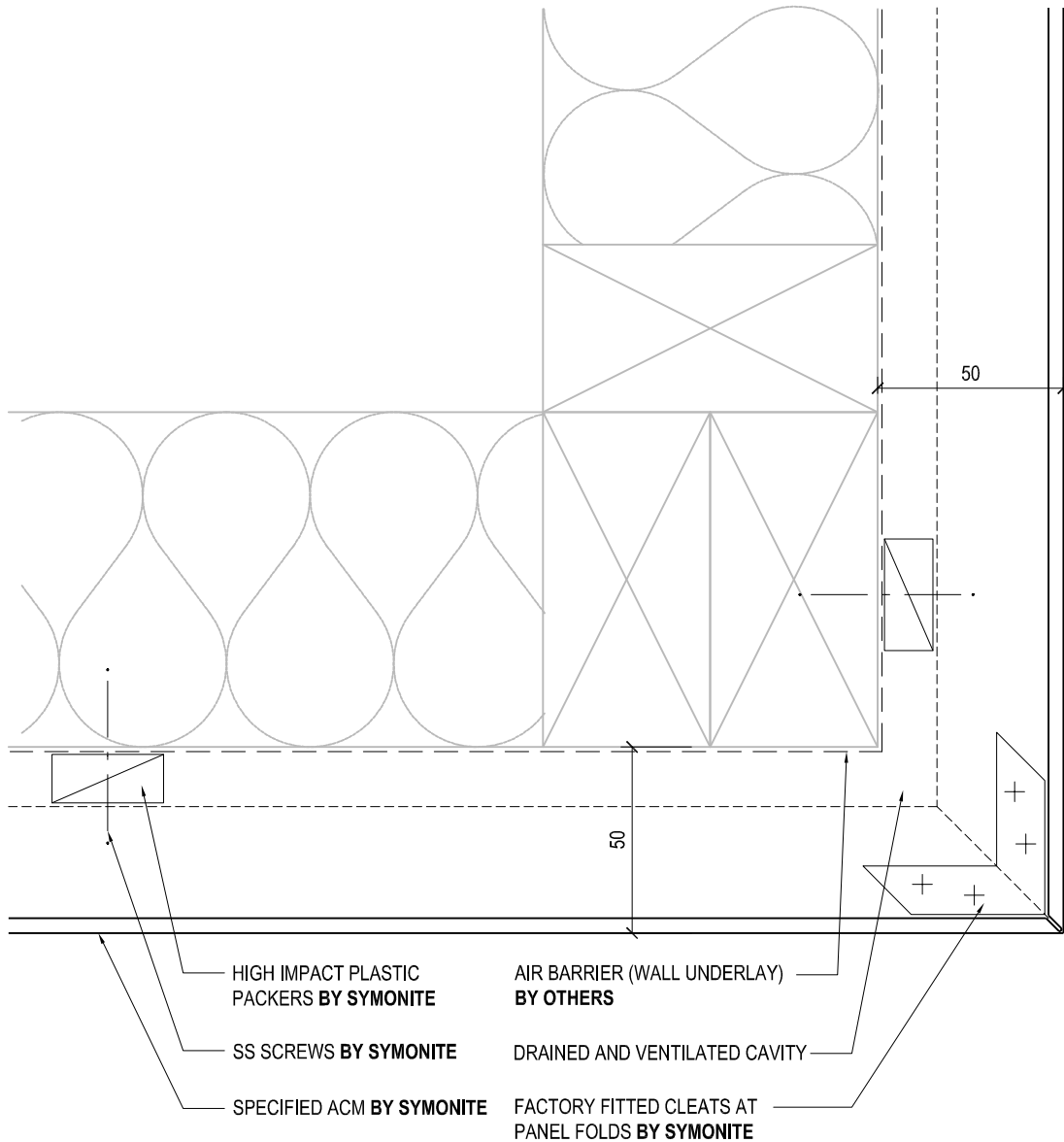
ROUT AND RETURN SYSTEM



| | | | |
|----------------------|--|--|--|
| DRAWING TITLE | ACM / PRECAST JUNCTION DETAIL 2 | | |
|----------------------|--|--|--|

| | | | | |
|-----------------------|--|-------------------------------|------------------------|-------------------|
| DRAWING STATUS | | ARCHITECTURAL RESOURCE | SHEET NO. 17 | ISSUE A |
| SCALE: 1:2 | | DATE: DECEMBER 2014 | | |

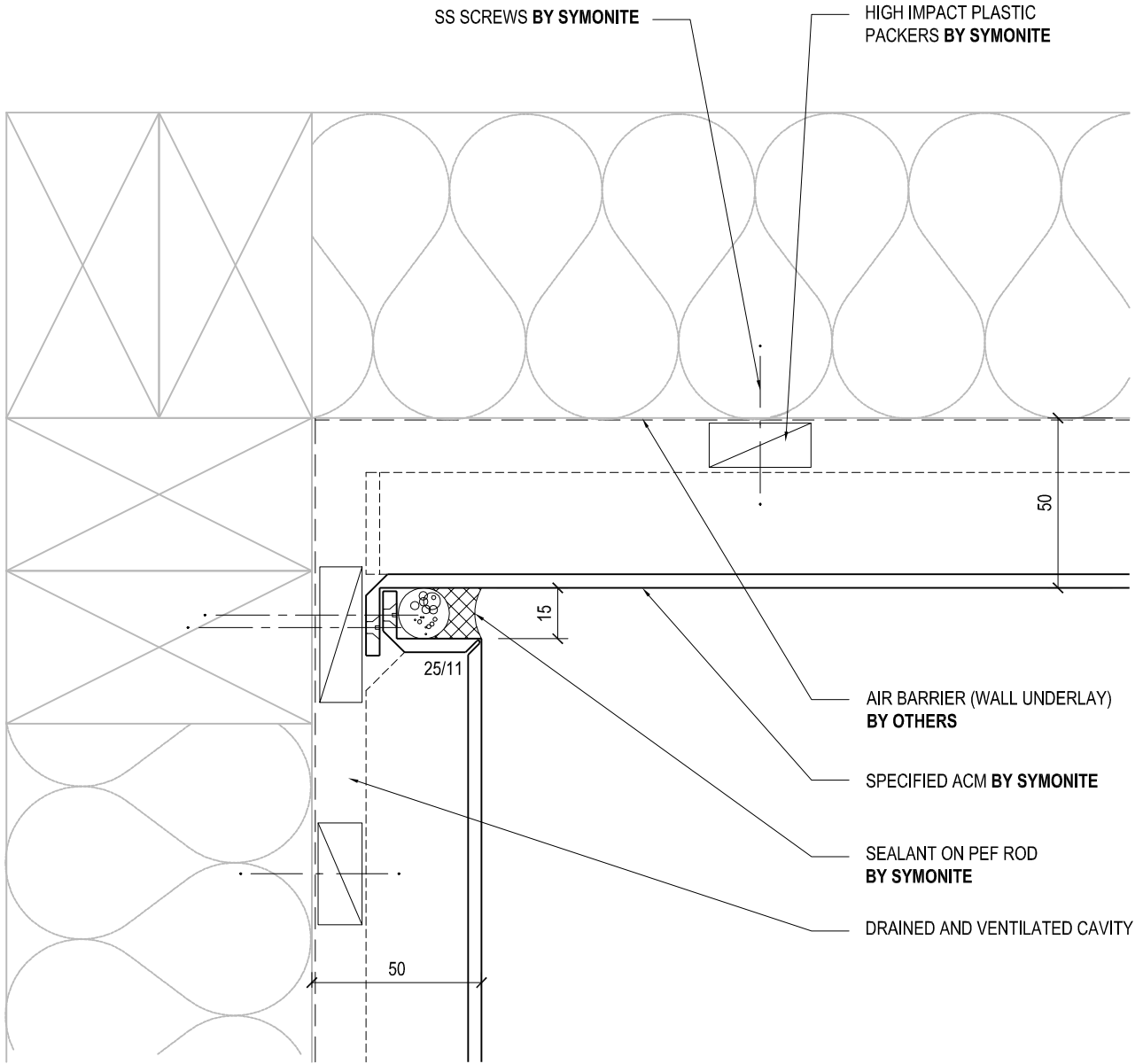
ROUT AND RETURN SYSTEM



| | | |
|------------------------------|-------------------------------|-------------------------------|
| <small>DRAWING TITLE</small> | EXTERNAL CORNER DETAIL | <small>DRAWING STATUS</small> |
| | | ARCHITECTURAL RESOURCE |
| | | <small>SCALE: 1:2</small> |

| | | |
|------------------------------------|----|----------------------|
| <small>SHEET NO.</small> | 18 | <small>ISSUE</small> |
| | | A |
| <small>DATE: DECEMBER 2014</small> | | |

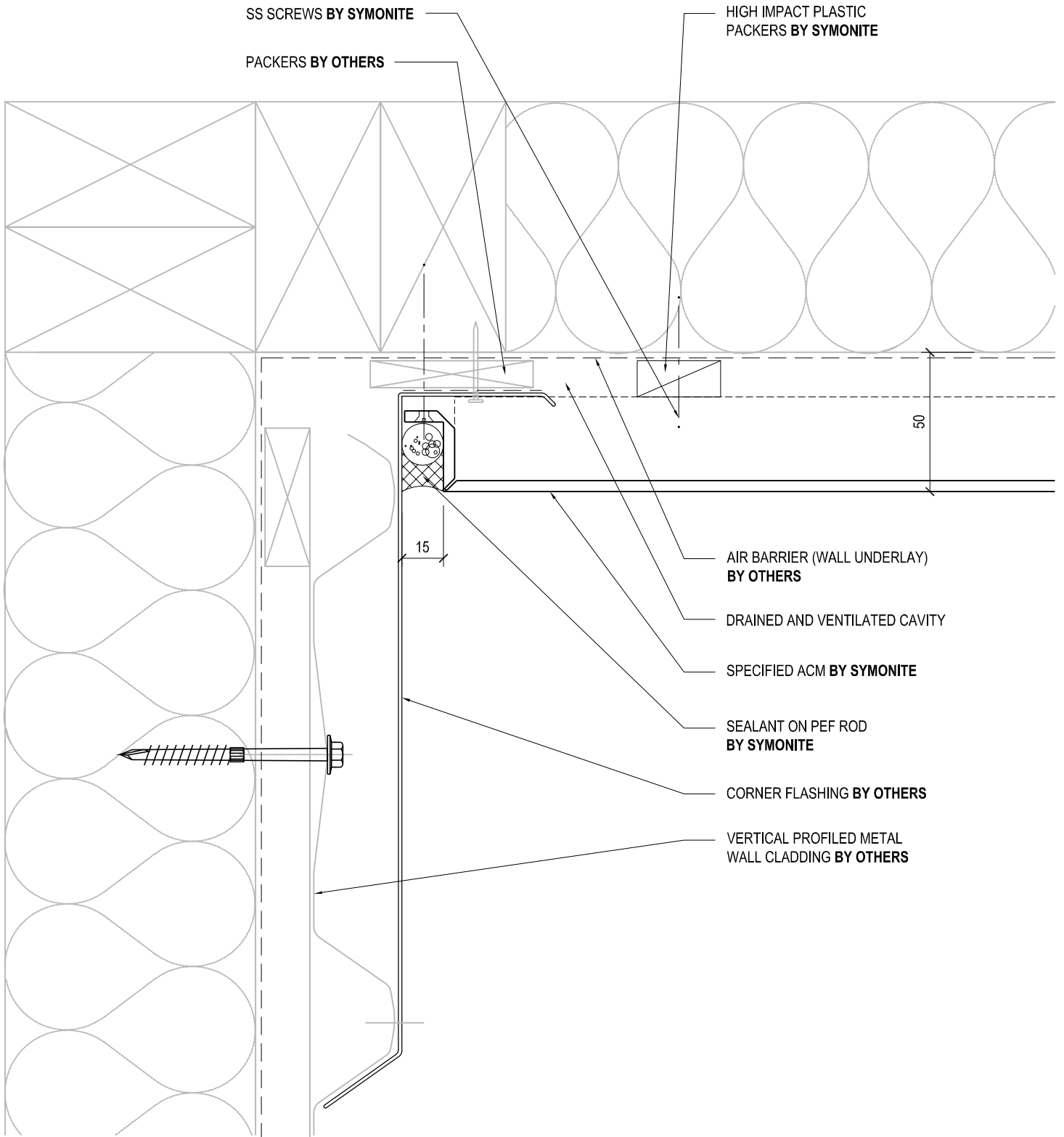
ROUT AND RETURN SYSTEM



| | | |
|----------------------|---------------------------------|-------------------------------|
| DRAWING TITLE | INTERNAL CORNER DETAIL 1 | DRAWING STATUS |
| | | ARCHITECTURAL RESOURCE |
| | | SCALE: 1:2 |

| | | | |
|------------------------------------|----|----------------------|---|
| <small>SHEET NO.</small> | 19 | <small>ISSUE</small> | A |
| <small>DATE:</small> DECEMBER 2014 | | | |

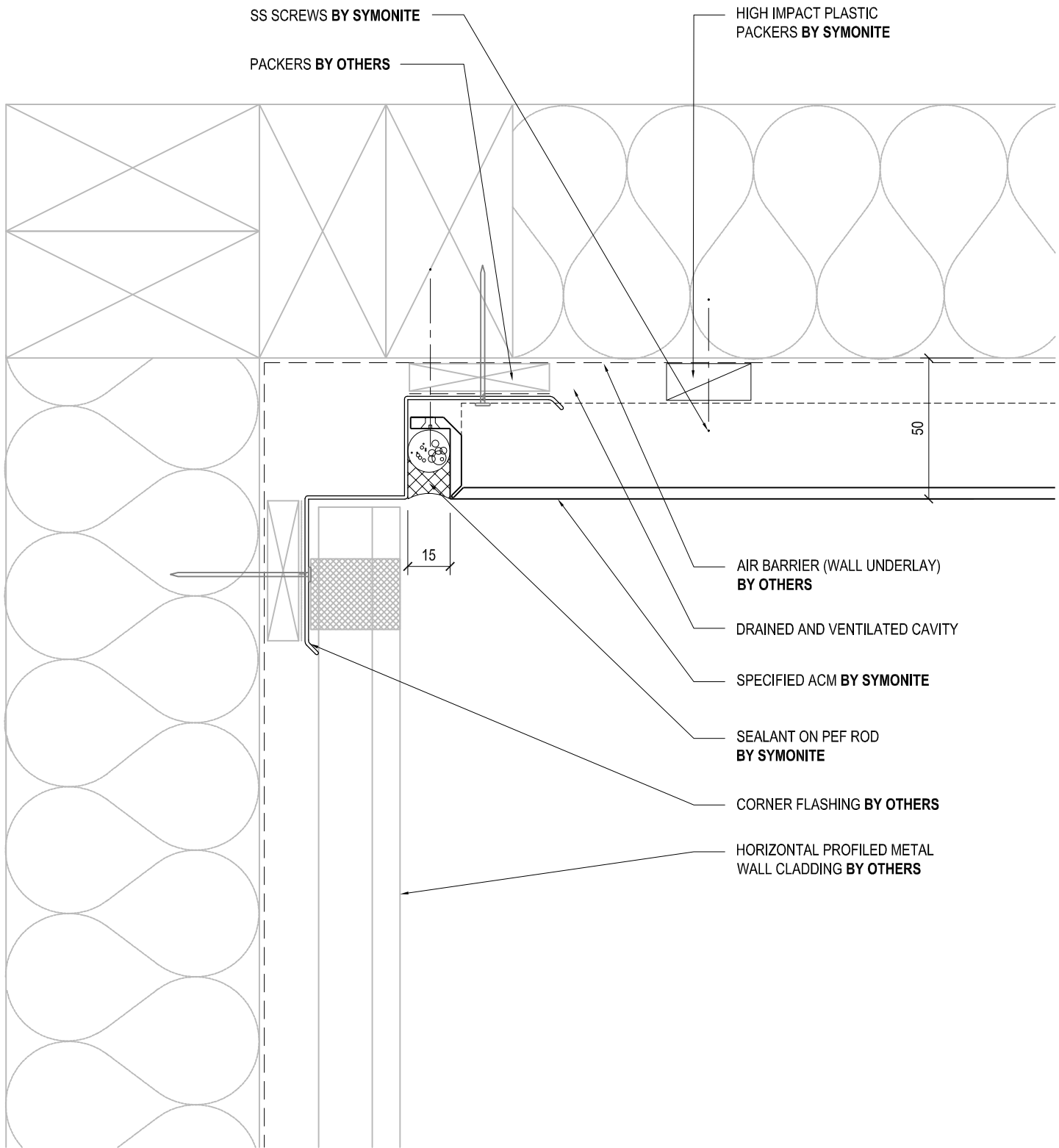
ROUT AND RETURN SYSTEM



| | | | |
|----------------------|---------------------------------|--|--|
| DRAWING TITLE | INTERNAL CORNER DETAIL 2 | | |
|----------------------|---------------------------------|--|--|

| | | | | |
|-----------------------|--|-------------------------------|------------------------|-------------------|
| DRAWING STATUS | | ARCHITECTURAL RESOURCE | SHEET NO. 20 | ISSUE A |
| SCALE: 1:2 | | DATE: DECEMBER 2014 | | |

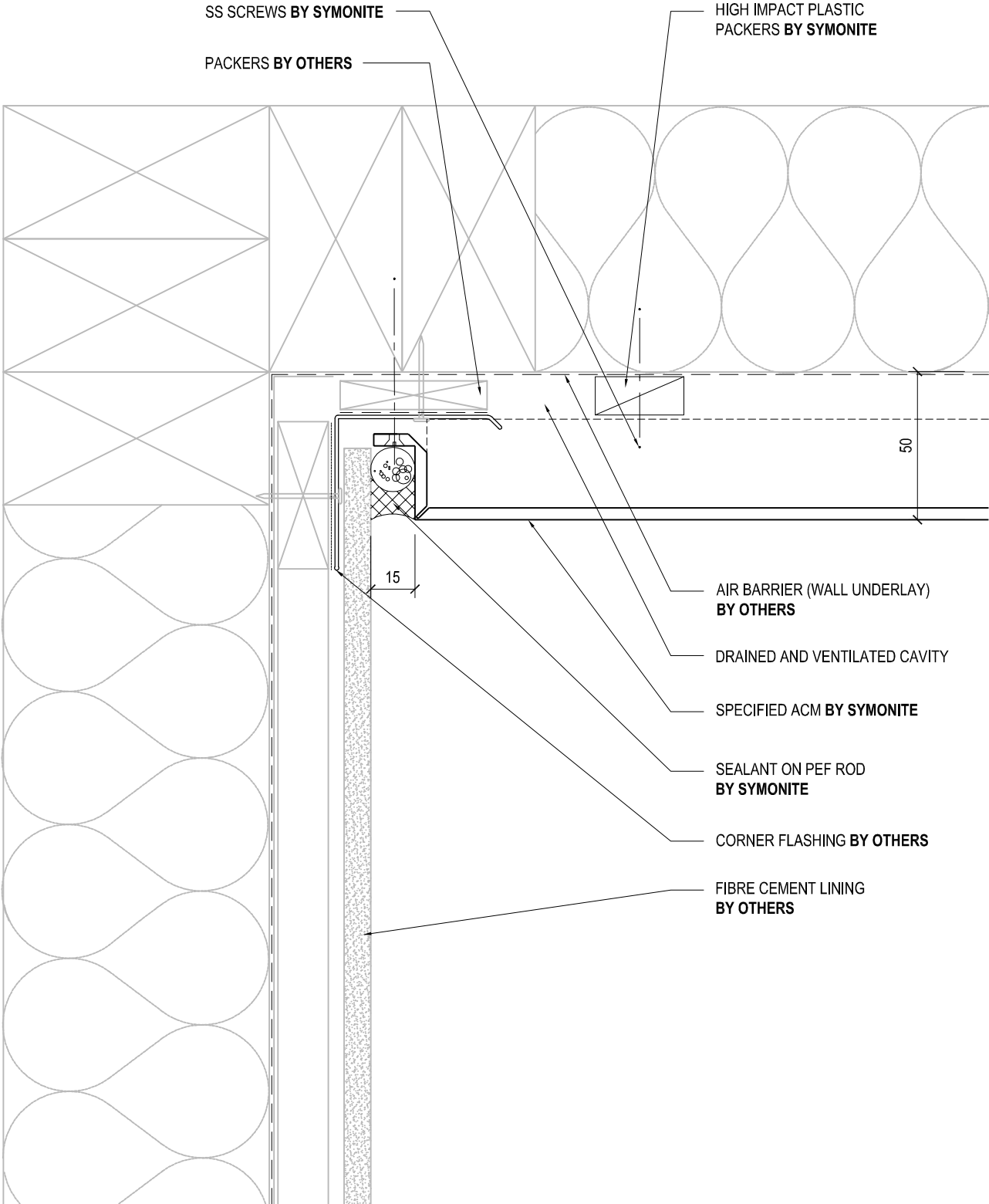
ROUT AND RETURN SYSTEM



| | | | |
|----------------------|---------------------------------|--|--|
| DRAWING TITLE | INTERNAL CORNER DETAIL 3 | | |
|----------------------|---------------------------------|--|--|

| | | | |
|-----------------------|-------------------------------|------------------------|-------------------|
| DRAWING STATUS | ARCHITECTURAL RESOURCE | SHEET NO. 21 | ISSUE A |
| SCALE: 1:2 | | DATE: DECEMBER 2014 | |

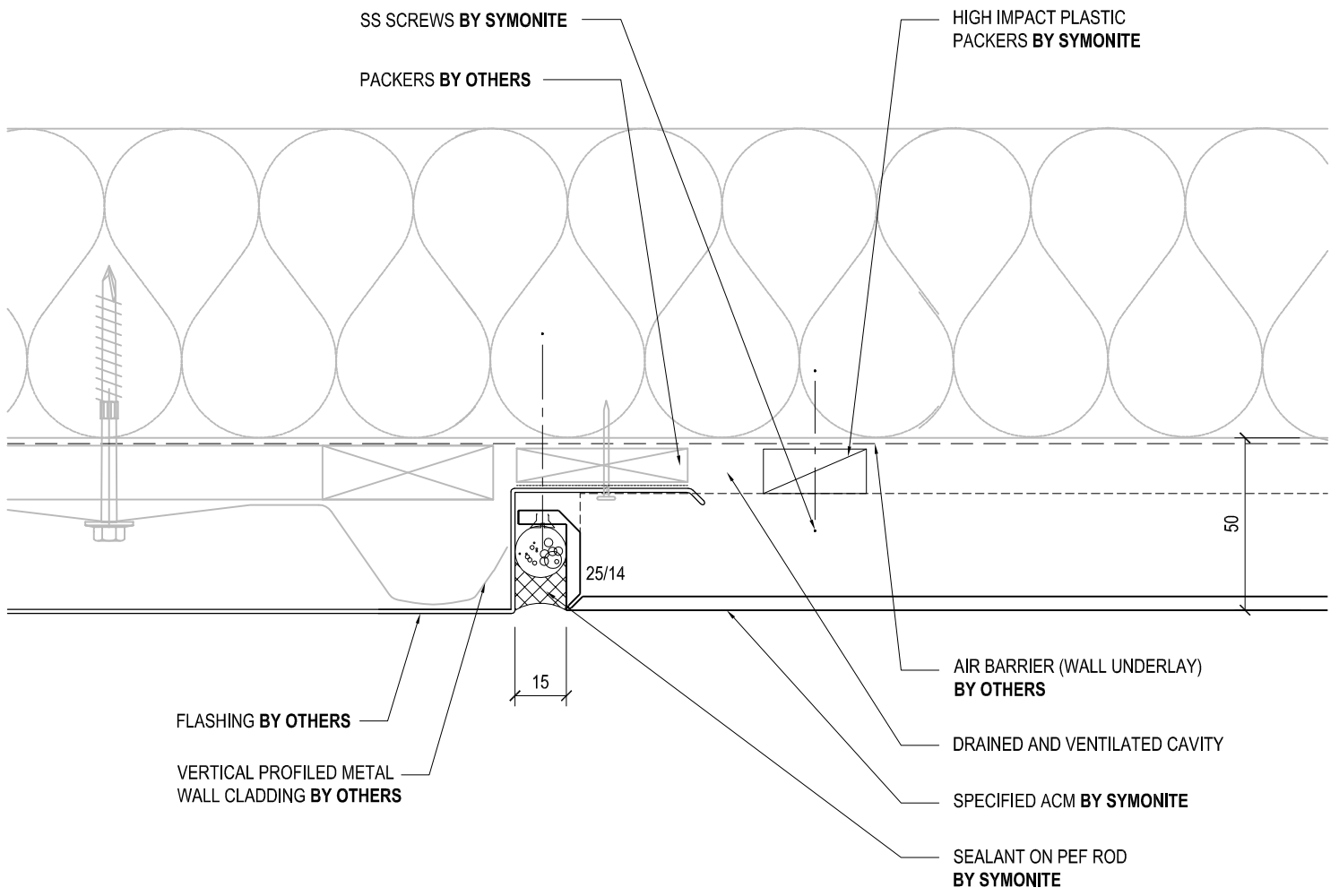
ROUT AND RETURN SYSTEM



| | |
|--------------------------|------------------------|
| DRAWING TITLE | DRAWING STATUS |
| INTERNAL CORNER DETAIL 3 | ARCHITECTURAL RESOURCE |

| | |
|------------|---------------------|
| SHEET NO. | ISSUE |
| 22 | A |
| SCALE: 1:2 | DATE: DECEMBER 2014 |

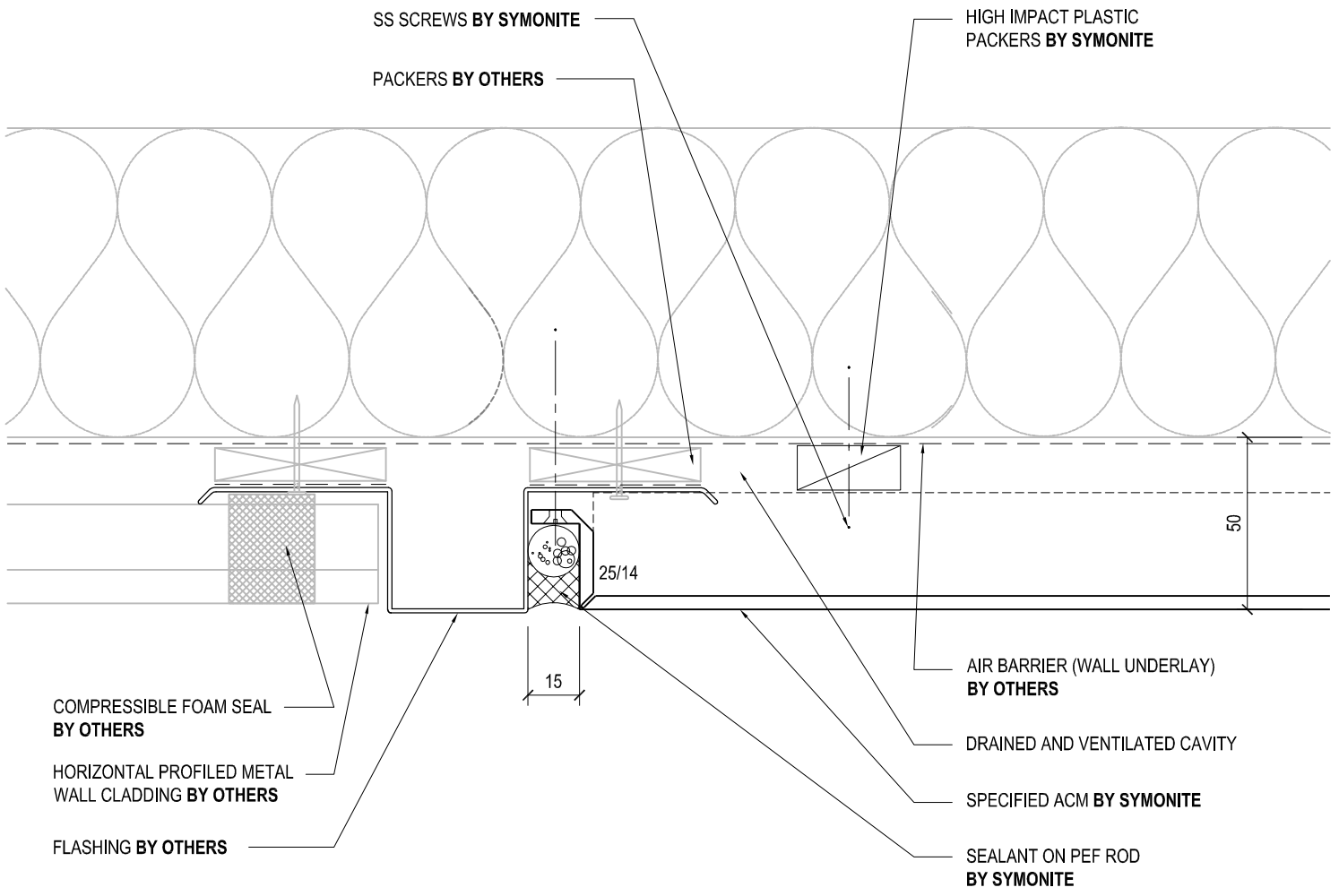
ROUT AND RETURN SYSTEM



| | | | |
|----------------------|-----------------------------------|--|--|
| DRAWING TITLE | ACM / WALL JUNCTION DETAIL | | |
|----------------------|-----------------------------------|--|--|

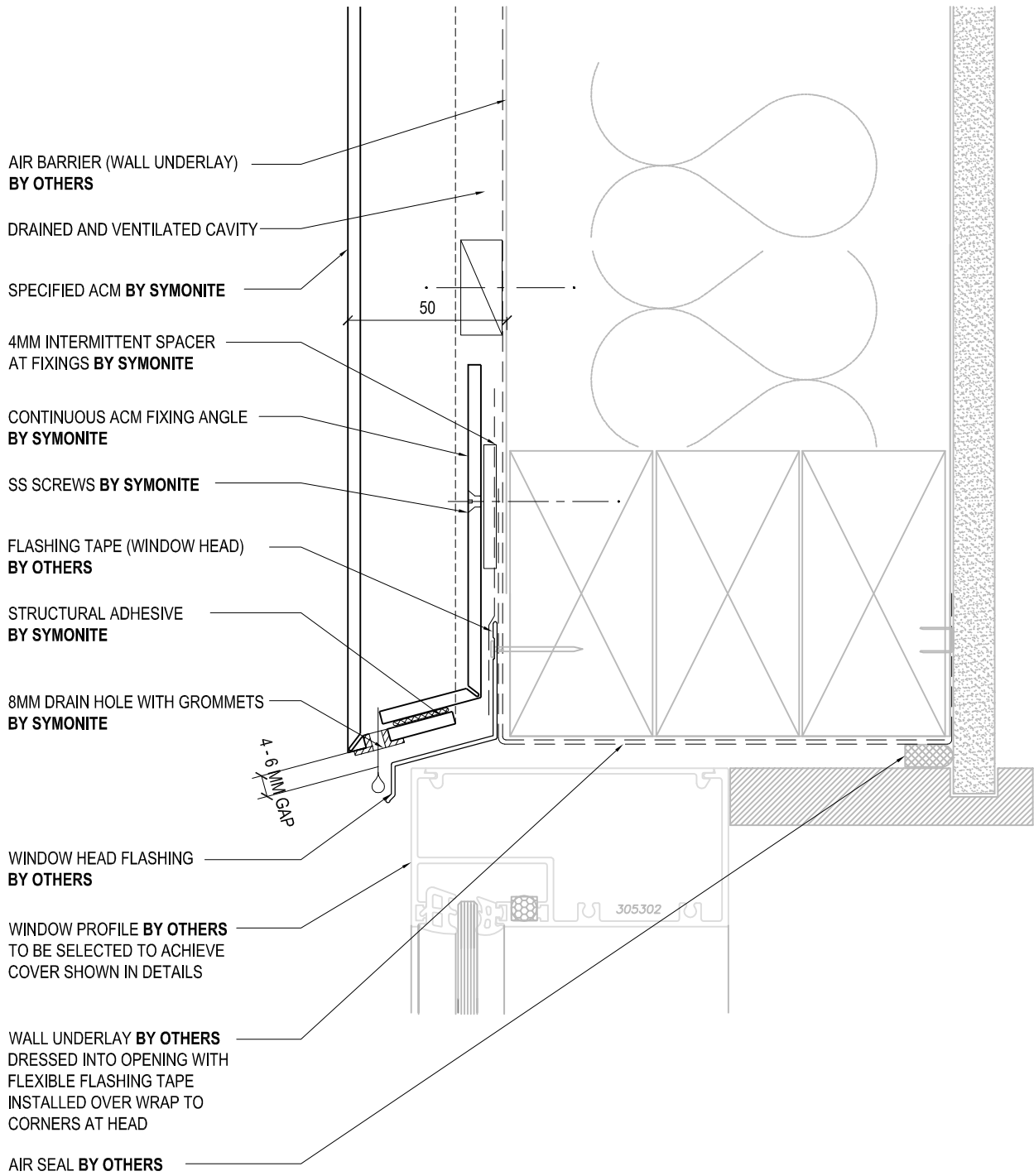
| | | | | |
|-----------------------|--|-------------------------------|------------------------|-------------------|
| DRAWING STATUS | | ARCHITECTURAL RESOURCE | SHEET NO. 23 | ISSUE A |
| SCALE: 1:2 | | DATE: DECEMBER 2014 | | |

ROUT AND RETURN SYSTEM



| | | | | |
|-----------------|----------------------------|-----------------------------------|------------------------|-------------------|
| SYMONITE | DRAWING TITLE | DRAWING STATUS | | |
| | ACM / WALL JUNCTION DETAIL | ARCHITECTURAL RESOURCE | SHEET NO. 24 | ISSUE A |
| | | SCALE: 1:2 | DATE: DECEMBER 2014 | |

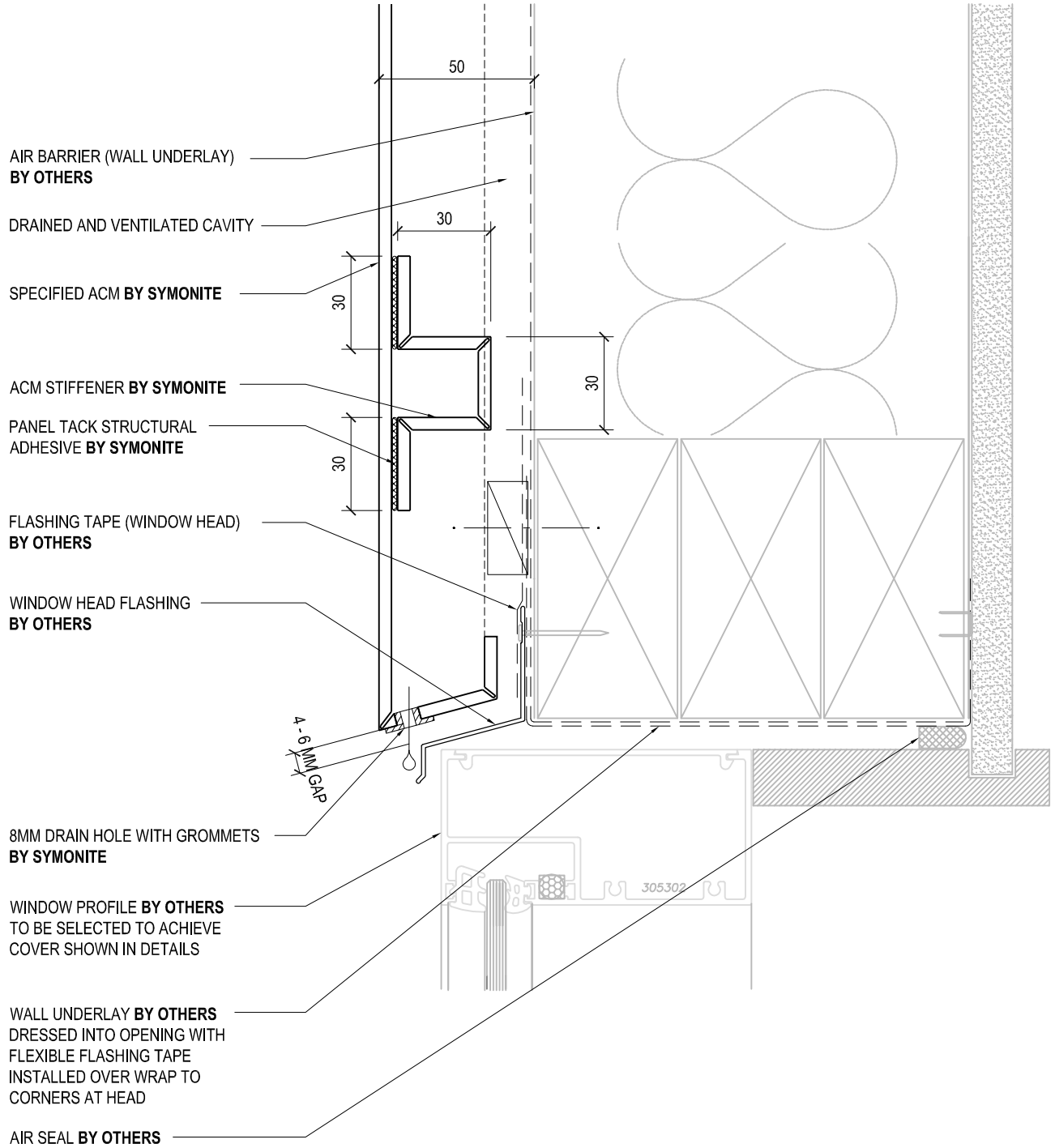
ROUT AND RETURN SYSTEM



| | |
|----------------------|---|
| DRAWING TITLE | COMMERCIAL WINDOW HEAD DETAIL (ALTERNATIVE DETAIL) |
|----------------------|---|

| | | | |
|-----------------------------------|--|------------------------------------|----------------------|
| DRAWING STATUS | | <small>SHEET NO.</small> | <small>ISSUE</small> |
| ARCHITECTURAL RESOURCE | | 25 | A |
| <small>SCALE: 1:2</small> | | <small>DATE: DECEMBER 2014</small> | |

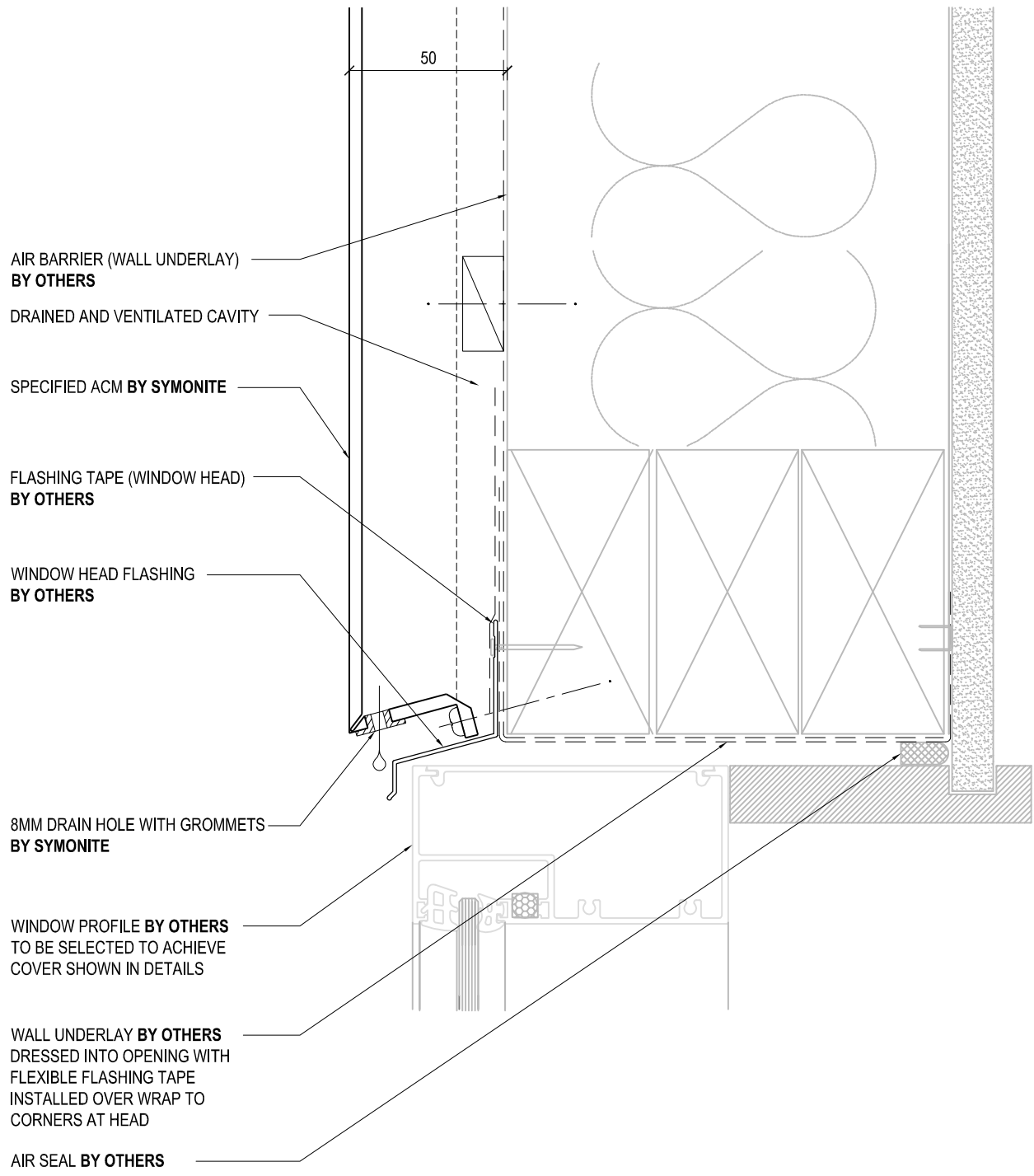
ROUT AND RETURN SYSTEM



| | |
|----------------------|---|
| DRAWING TITLE | COMMERCIAL WINDOW HEAD DETAIL (ALTERNATIVE DETAIL) |
|----------------------|---|

| | | | |
|-----------------------------------|--|---------------------|--------------|
| DRAWING STATUS | | SHEET NO. | ISSUE |
| ARCHITECTURAL RESOURCE | | 26 | A |
| SCALE: 1:2 | | DATE: DECEMBER 2014 | |

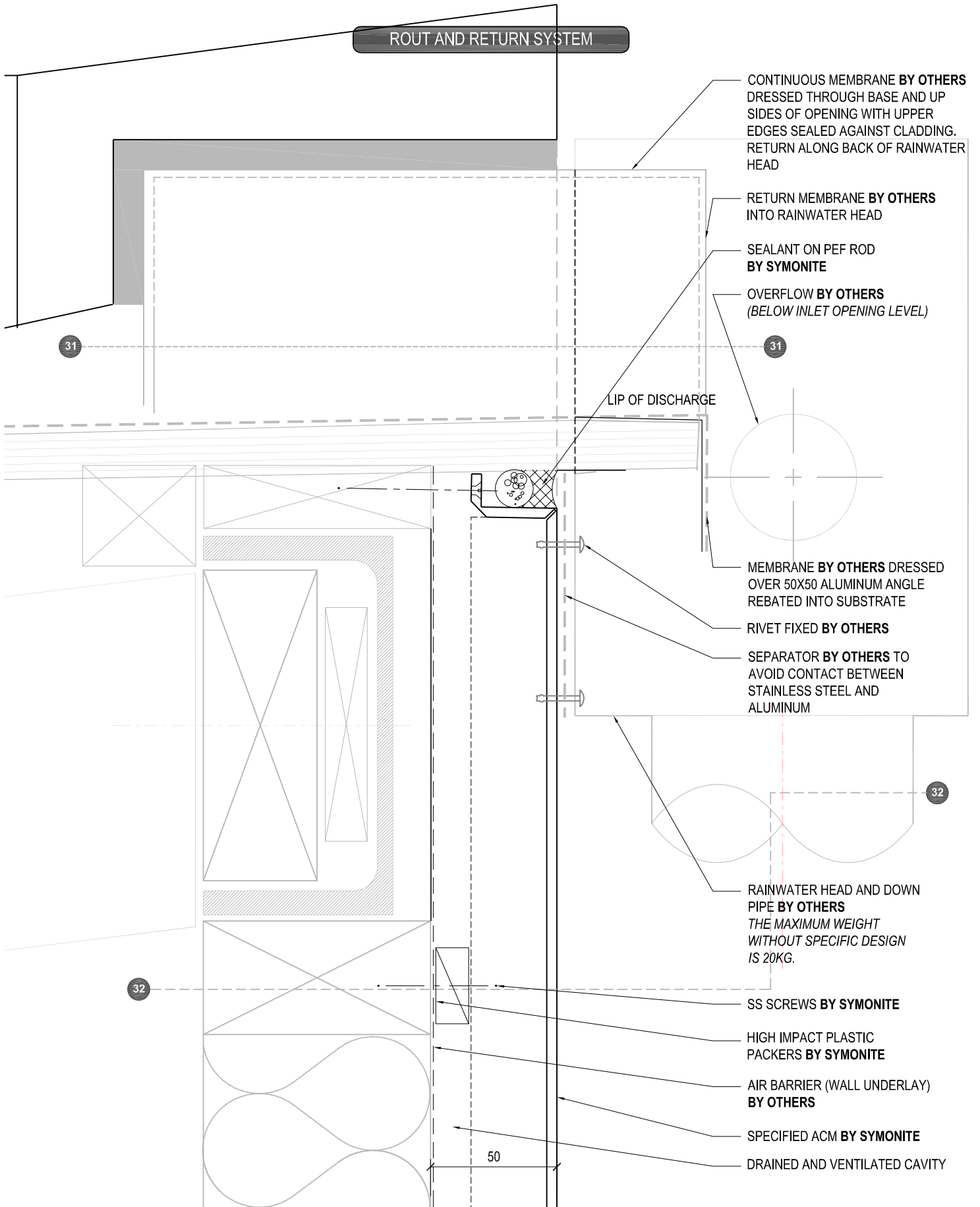
ROUT AND RETURN SYSTEM



| | | | |
|----------------------|---|--|--|
| DRAWING TITLE | COMMERCIAL WINDOW HEAD DETAIL (ALTERNATIVE DETAIL) | | |
|----------------------|---|--|--|

| | | | |
|-----------------------|-------------------------------|----------------------------|--------------|
| DRAWING STATUS | ARCHITECTURAL RESOURCE | SHEET NO. | ISSUE |
| | | 27 | A |
| SCALE: 1:2 | | DATE: DECEMBER 2014 | |

ROUT AND RETURN SYSTEM



CONTINUOUS MEMBRANE **BY OTHERS**
DRESSED THROUGH BASE AND UP
SIDES OF OPENING WITH UPPER
EDGES SEALED AGAINST CLADDING.
RETURN ALONG BACK OF RAINWATER
HEAD

RETURN MEMBRANE **BY OTHERS**
INTO RAINWATER HEAD

SEALANT ON PEF ROD
BY SYMONITE

OVERFLOW **BY OTHERS**
(BELOW INLET OPENING LEVEL)

LIP OF DISCHARGE

MEMBRANE **BY OTHERS** DRESSED
OVER 50X50 ALUMINUM ANGLE
REBATED INTO SUBSTRATE

RIVET FIXED **BY OTHERS**

SEPARATOR **BY OTHERS** TO
AVOID CONTACT BETWEEN
STAINLESS STEEL AND
ALUMINUM

RAINWATER HEAD AND DOWN
PIPE **BY OTHERS**
THE MAXIMUM WEIGHT
WITHOUT SPECIFIC DESIGN
IS 20KG.

SS SCREWS **BY SYMONITE**

HIGH IMPACT PLASTIC
PACKERS **BY SYMONITE**

AIR BARRIER (WALL UNDERLAY)
BY OTHERS

SPECIFIED ACM **BY SYMONITE**

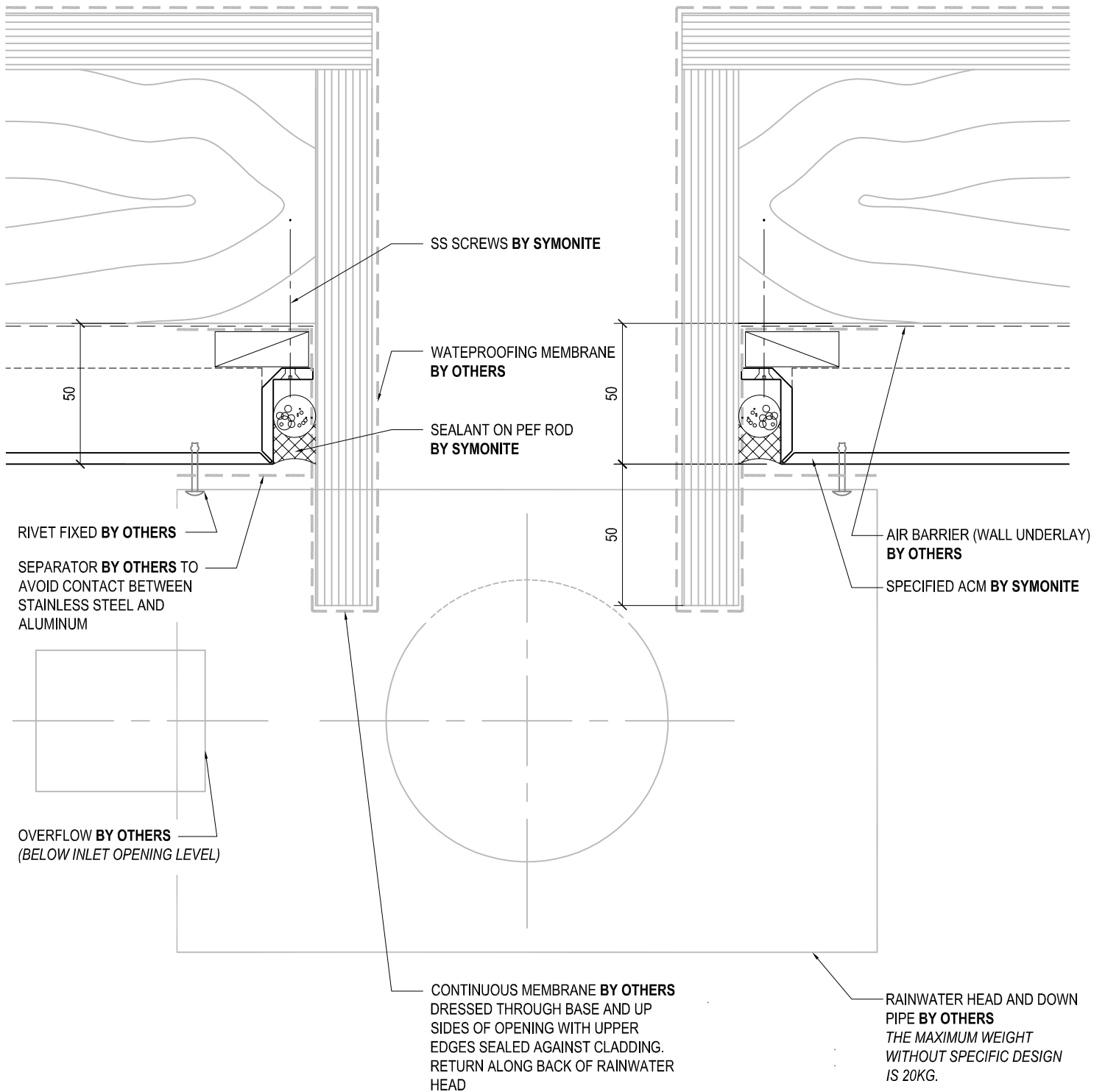
DRAINED AND VENTILATED CAVITY

NOTE

- TO BE READ WITH SHEET 31 & 32

| | | | | |
|-----------------|---|-----------------------------------|------------------------|-------------------|
| SYMONITE | DRAWING TITLE | DRAWING STATUS | | |
| | TYPICAL RAIN HEAD/ OUTLET THROUGH WALL DETAIL | ARCHITECTURAL RESOURCE | SHEET NO. 30 | ISSUE A |
| | | SCALE: 1:2 | DATE: DECEMBER 2014 | |

ROUT AND RETURN SYSTEM



NOTE

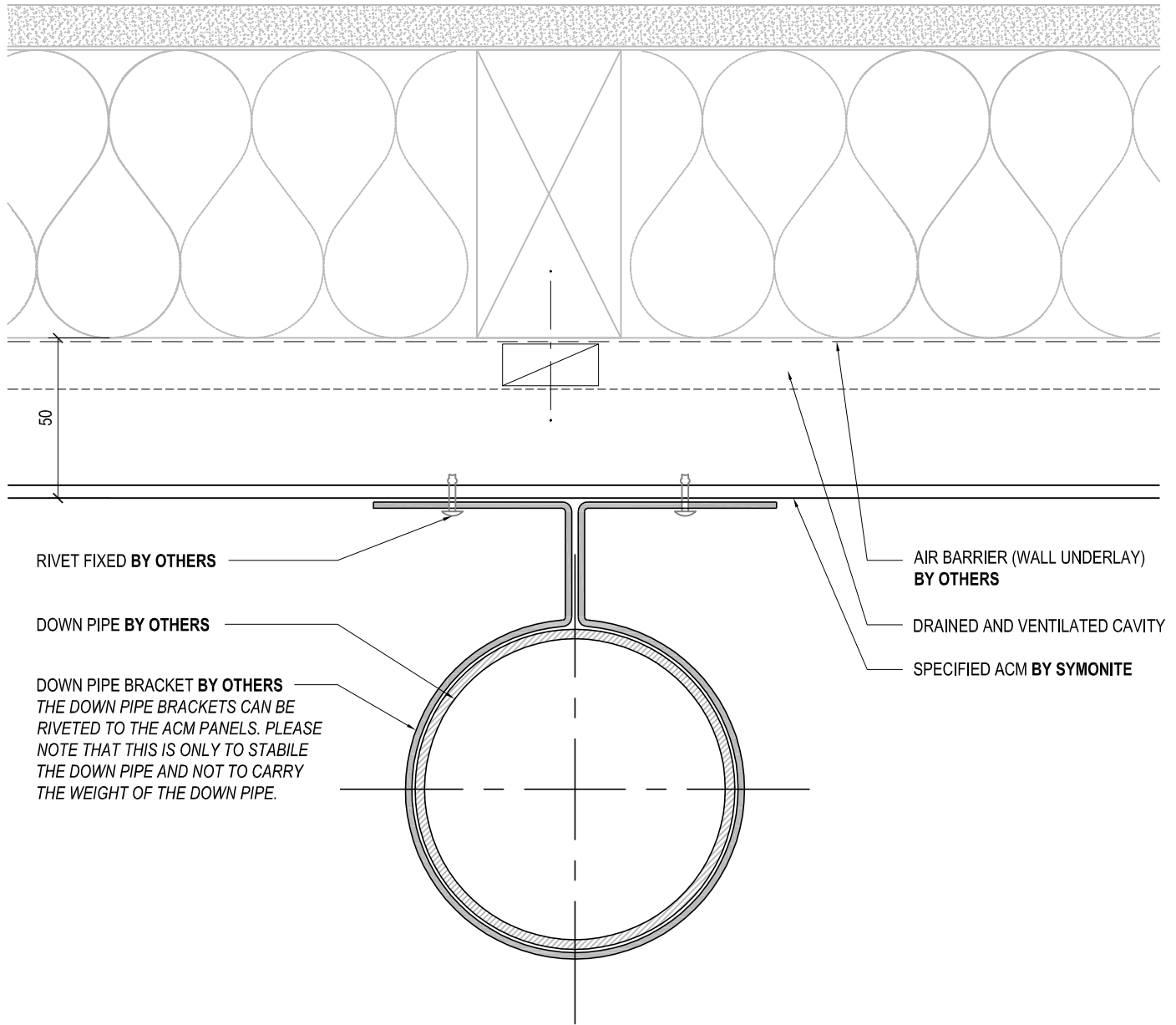
- TO BE READ WITH SHEET 30 & 32



| | |
|--------------------------|-------------------------------|
| DRAWING TITLE | DRAWING STATUS |
| TYPICAL RAIN HEAD DETAIL | ARCHITECTURAL RESOURCE |
| | SCALE: 1:2 |

| | |
|----------------------------|--------------|
| SHEET NO. | ISSUE |
| 31 | A |
| DATE: DECEMBER 2014 | |

ROUT AND RETURN SYSTEM



NOTE

- TO BE READ WITH SHEET 30 & 31



| | | | | | |
|------------------------------|--|------------|---------------------|----|---|
| DRAWING TITLE | DRAWING STATUS | | | | |
| DOWNPIPE / ACM FIXING DETAIL | ARCHITECTURAL RESOURCE | | | | |
| | <table border="1" style="width: 100%; border-collapse: collapse;"> <tr> <td style="width: 50%; text-align: center;">SHEET NO.</td> <td style="width: 50%; text-align: center;">ISSUE</td> </tr> <tr> <td style="text-align: center;">32</td> <td style="text-align: center;">A</td> </tr> </table> | SHEET NO. | ISSUE | 32 | A |
| SHEET NO. | ISSUE | | | | |
| 32 | A | | | | |
| | <table border="1" style="width: 100%; border-collapse: collapse;"> <tr> <td style="width: 50%; text-align: center;">SCALE: 1:2</td> <td style="width: 50%; text-align: center;">DATE: DECEMBER 2014</td> </tr> </table> | SCALE: 1:2 | DATE: DECEMBER 2014 | | |
| SCALE: 1:2 | DATE: DECEMBER 2014 | | | | |

ROUT AND RETURN SYSTEM

NOTE
THIS DETAIL CAN ONLY BE USED WHERE THE PANEL CAN BE SLID OVER THE PIPE

SPECIFIED ACM BY SYMONITE

ESCUTCHEON ACM PLATE TO NEAT FIT ON PIPE BY SYMONITE

SPECIFIED ACM ROLLED EDGE FINISH BY SYMONITE ALL AROUND PENETRATION

SEALANT ALL AROUND PENETRATION BY SYMONITE

PIPE BY OTHERS

SERRATED ALUMINIUM ANGLE SUPPORT ALL AROUND PENETRATION BY SYMONITE

±5 MM

EXISTING BUILDING LINE

SPECIFIED ACM BY SYMONITE

TOPHAT LINE

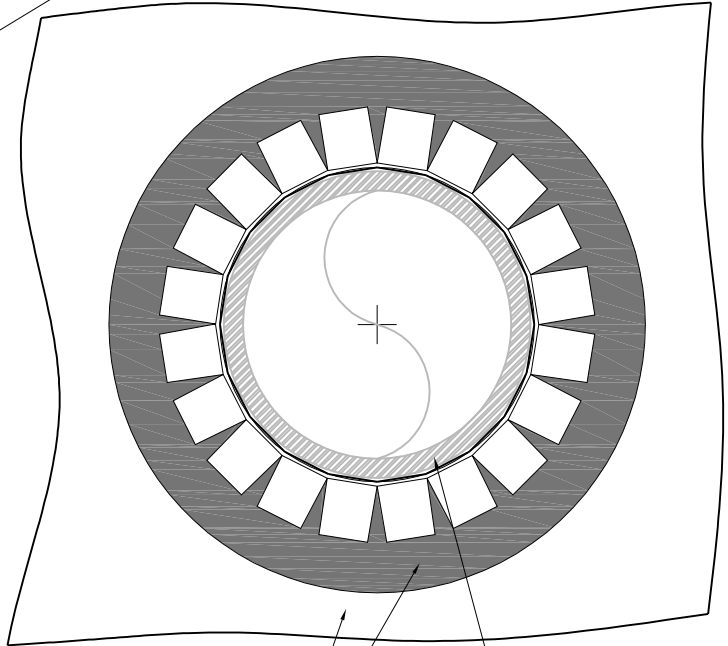
ESCUTCHEON ACM PLATE TO NEAT FIT ON PIPE BY SYMONITE

PIPE MIN 20MMØ

PIPE BY OTHERS

34
50
80

OUTSIDE SIDE ELEVATION INSIDE



SPECIFIED ACM BY SYMONITE

PIPE BY OTHERS

ESCUTCHEON ACM PLATE TO NEAT FIT ON PIPE BY SYMONITE

BACK ELEVATION

SYMONITE

DRAWING TITLE

STANDARD PENETRATION (Minimum of 20 mm Ø)

DRAWING STATUS

ARCHITECTURAL RESOURCE

SHEET NO.

33

ISSUE

A

SCALE: 1:2

DATE: DECEMBER 2014

ROUT AND RETURN SYSTEM

NOTE
THIS DETAIL CAN ONLY BE USED WHERE THE PANEL CAN BE SLID OVER THE PIPE

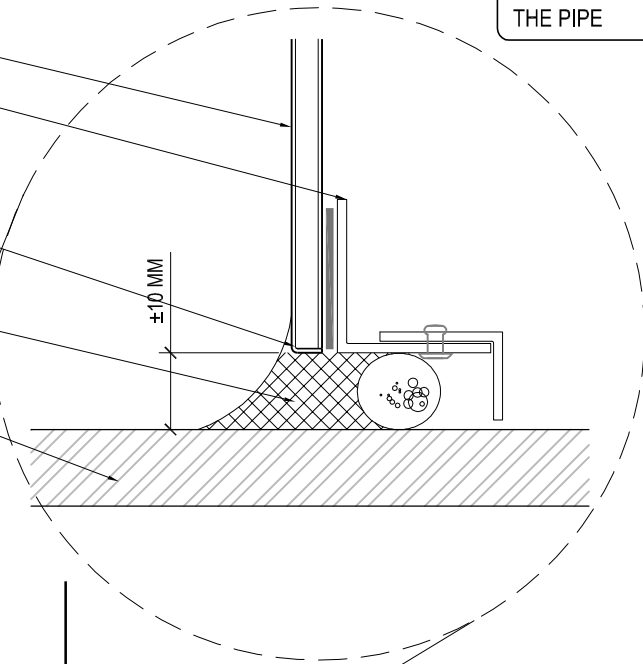
SPECIFIED ACM BY SYMONITE

SERRATED ALUMINIUM ANGLE STRUCTURALLY GLUED FIXED WITH 3M VHB DOUBLE SIDED TAPE BY SYMONITE

SPECIFIED ACM ROLLED EDGE FINISH BY SYMONITE ALL AROUND PENETRATION

SEALANT ON PEF ROD BY SYMONITE

PIPE BY OTHERS



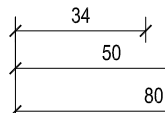
EXISTING BUILDING LINE

SPECIFIED ACM BY SYMONITE

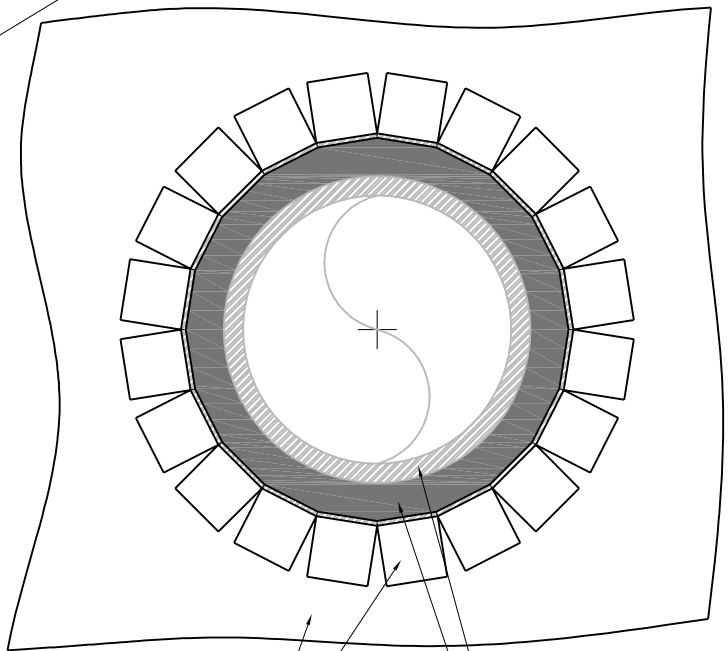
TOPHAT LINE

PIPE MIN 80MMØ

PIPE BY OTHERS



OUTSIDE SIDE ELEVATION INSIDE



SPECIFIED ACM BY SYMONITE

SERRATED ALUMINIUM ANGLE STRUCTURALLY GLUED FIXED WITH 3M VHB DOUBLE SIDED TAPE BY SYMONITE

PIPE BY OTHERS

SEALANT ON PEF ROD BY SYMONITE

BACK ELEVATION

SYMONITE

DRAWING TITLE

STANDARD PENETRATION (Minimum of 80 mm Ø)

DRAWING STATUS

ARCHITECTURAL RESOURCE

SHEET NO.

34

ISSUE

A

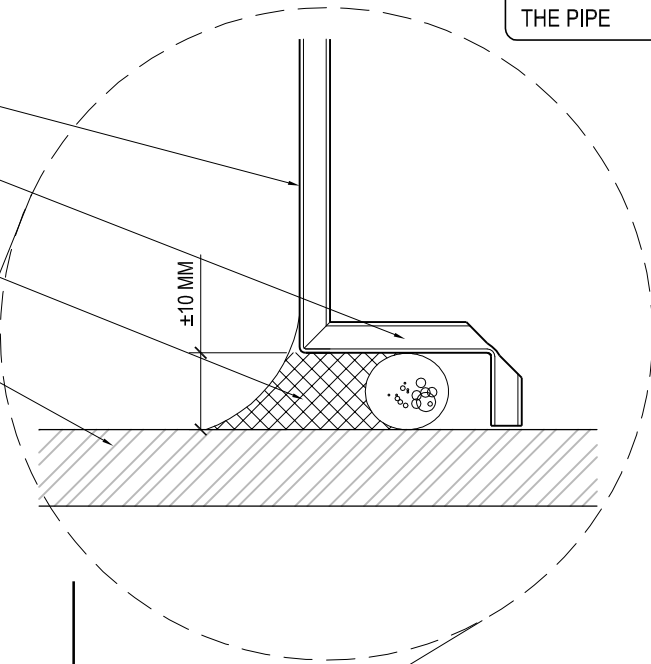
SCALE: 1:2

DATE: DECEMBER 2014

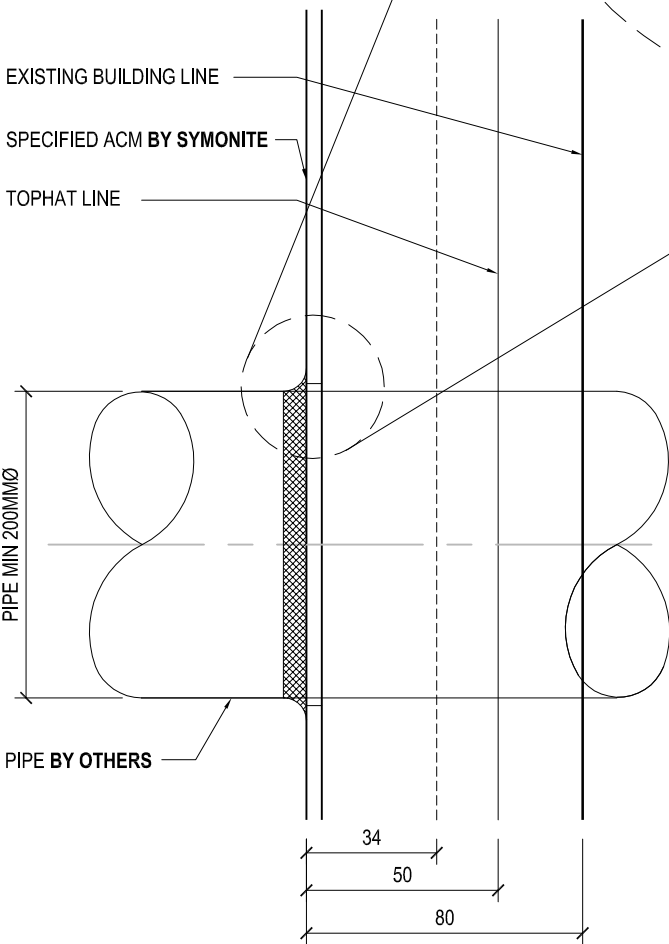
ROUT AND RETURN SYSTEM

NOTE
THIS DETAIL CAN ONLY BE USED WHERE THE PANEL CAN BE SLID OVER THE PIPE

- SPECIFIED ACM BY SYMONITE
- SERRATED STANDARD ACM LEG BY SYMONITE
- SEALANT ON PEF ROD BY SYMONITE
- PIPE BY OTHERS



- EXISTING BUILDING LINE
- SPECIFIED ACM BY SYMONITE
- TOPHAT LINE

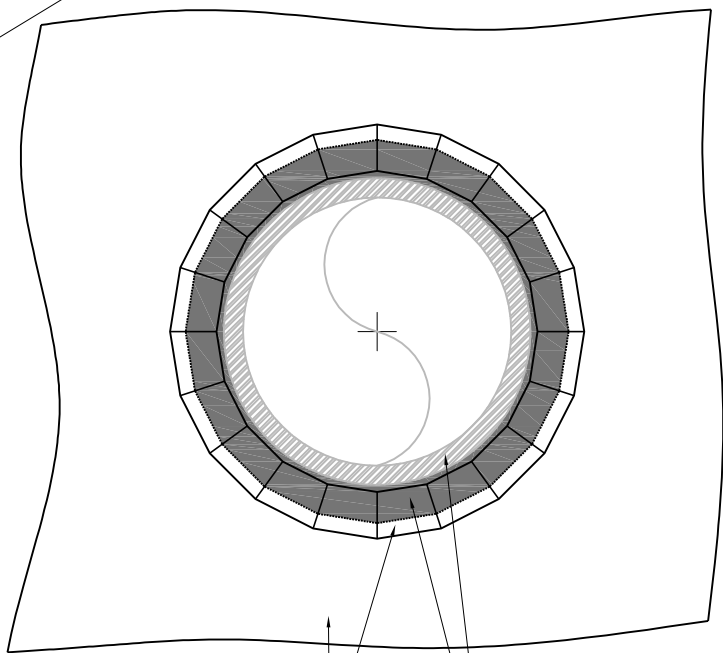


PIPE MIN 200MM Ø

PIPE BY OTHERS

34
50
80

OUTSIDE SIDE ELEVATION INSIDE



- SPECIFIED ACM BY SYMONITE
- SERRATED STANDARD ACM LEG BY SYMONITE
- PIPE BY OTHERS
- SEALANT ON PEF ROD BY SYMONITE

BACK ELEVATION

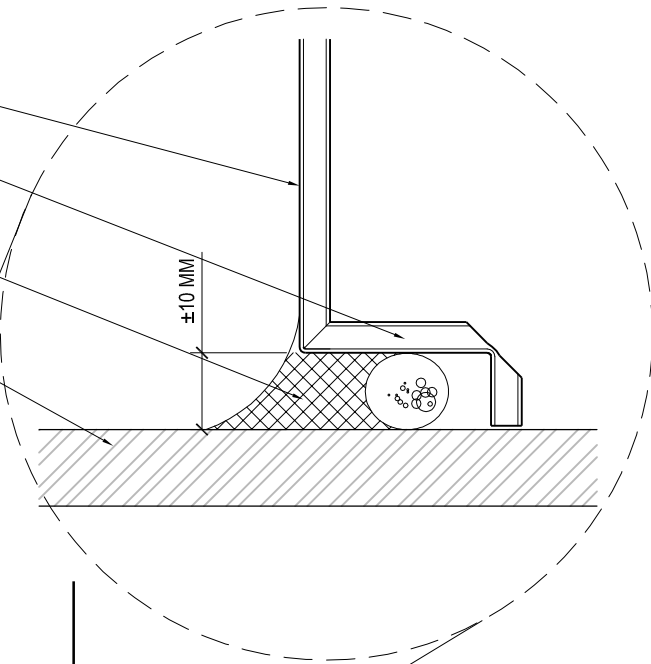


| | |
|--|------------------------|
| DRAWING TITLE | DRAWING STATUS |
| STANDARD PENETRATION (Minimum of 200 mm Ø) | ARCHITECTURAL RESOURCE |

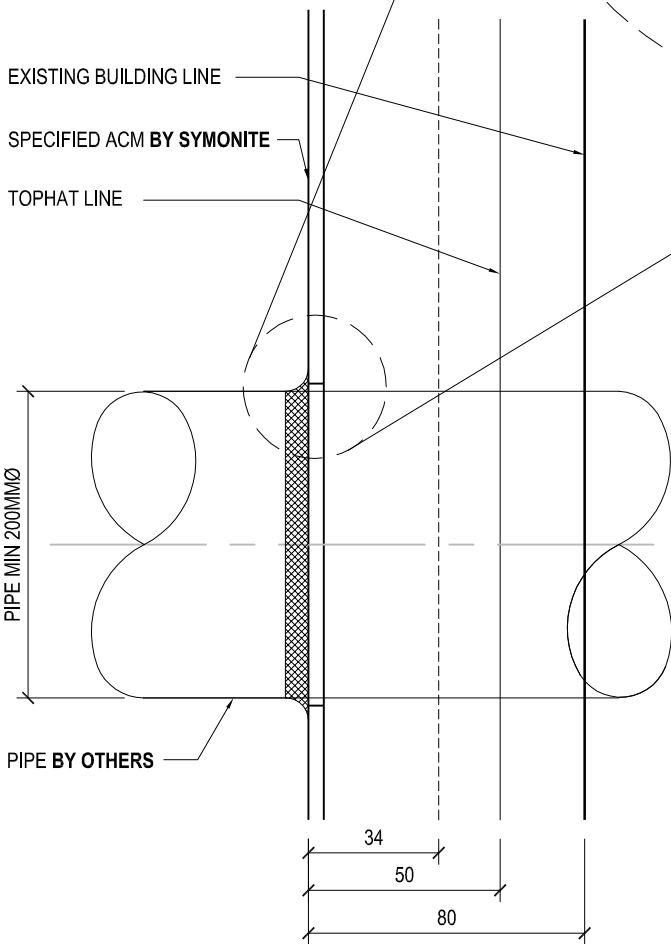
| | |
|------------|---------------------|
| SHEET NO. | ISSUE |
| 35 | A |
| SCALE: 1:2 | DATE: DECEMBER 2014 |

ROUT AND RETURN SYSTEM

- SPECIFIED ACM BY SYMONITE
- SERRATED STANDARD ACM LEG BY SYMONITE
- SEALANT ON PEF ROD BY SYMONITE
- PIPE BY OTHERS

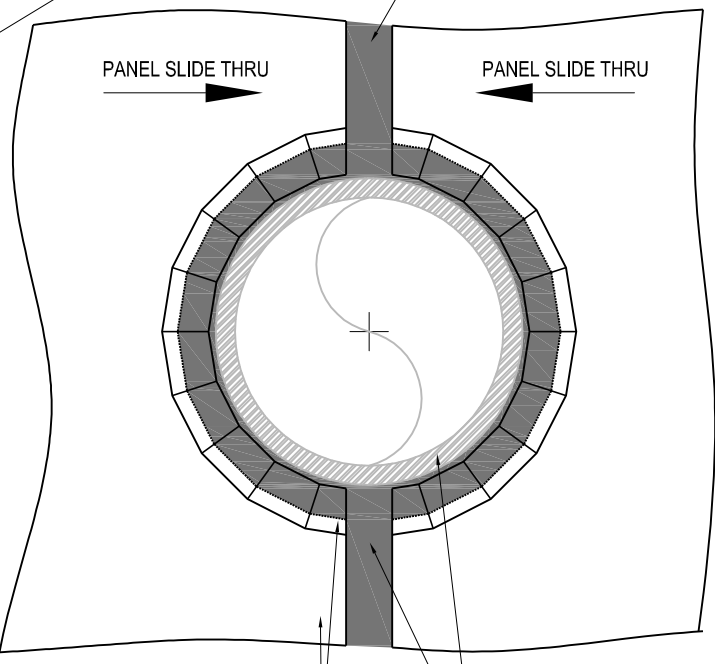


- EXISTING BUILDING LINE
- SPECIFIED ACM BY SYMONITE
- TOPHAT LINE



OUTSIDE SIDE ELEVATION INSIDE

- 15MM STANDARD JOINT BY SYMONITE



- SPECIFIED ACM BY SYMONITE
- SERRATED STANDARD ACM LEG BY SYMONITE
- PIPE BY OTHERS
- SEALANT ON PEF ROD BY SYMONITE

BACK ELEVATION

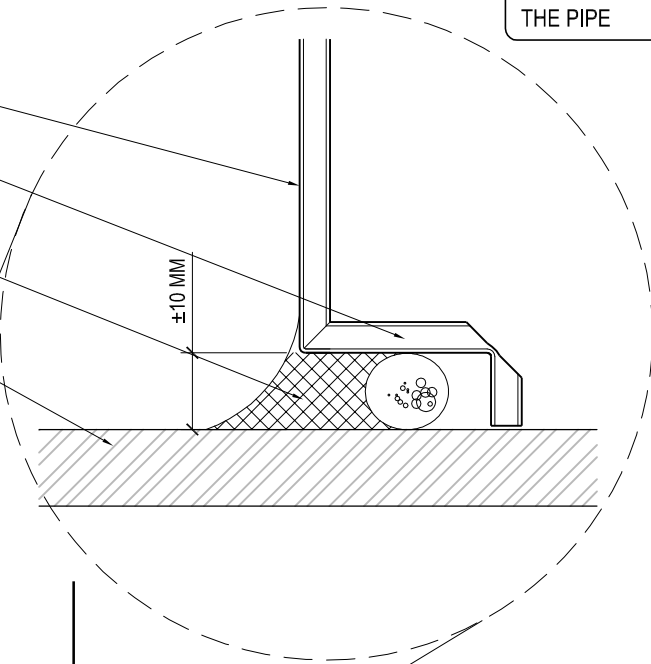


| | | | |
|--|------------------------|---------------------|---------|
| DRAWING TITLE | DRAWING STATUS | | |
| | ARCHITECTURAL RESOURCE | SHEET NO. 36 | ISSUE A |
| STANDARD PENETRATION (Minimum of 200 mm Ø) | SCALE: 1:2 | DATE: DECEMBER 2014 | |

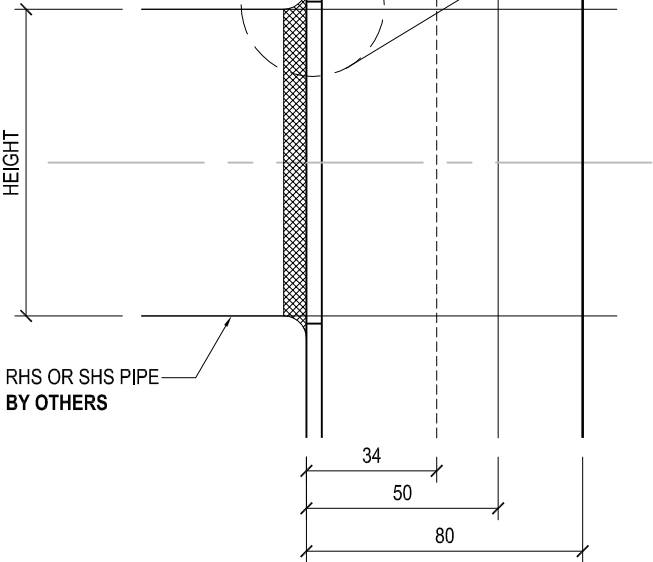
ROUT AND RETURN SYSTEM

NOTE
THIS DETAIL CAN ONLY BE USED WHERE THE PANEL CAN BE SLID OVER THE PIPE

- SPECIFIED ACM BY SYMONITE
- SERRATED STANDARD ACM LEG BY SYMONITE
- SEALANT ON PEF ROD BY SYMONITE
- RHS OR SHS PIPE BY OTHERS

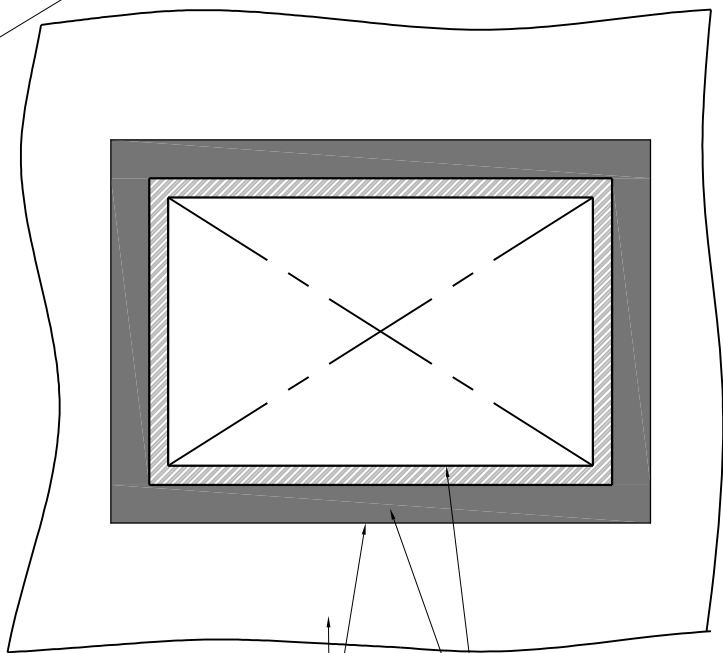


- EXISTING BUILDING LINE
- SPECIFIED ACM BY SYMONITE
- TOPHAT LINE



- RHS OR SHS PIPE BY OTHERS

OUTSIDE SIDE ELEVATION INSIDE



- SPECIFIED ACM BY SYMONITE
- SERRATED STANDARD ACM LEG BY SYMONITE
- RHS OR SHS PIPE BY OTHERS
- SEALANT ON PEF ROD BY SYMONITE

BACK ELEVATION



| | |
|--|------------------------|
| DRAWING TITLE | DRAWING STATUS |
| STANDARD PENETRATION (RHS OR SHS PIPE SECTION) | ARCHITECTURAL RESOURCE |
| | SCALE: 1:2 |

| | |
|---------------------|-------|
| SHEET NO. | ISSUE |
| 37 | A |
| DATE: DECEMBER 2014 | |

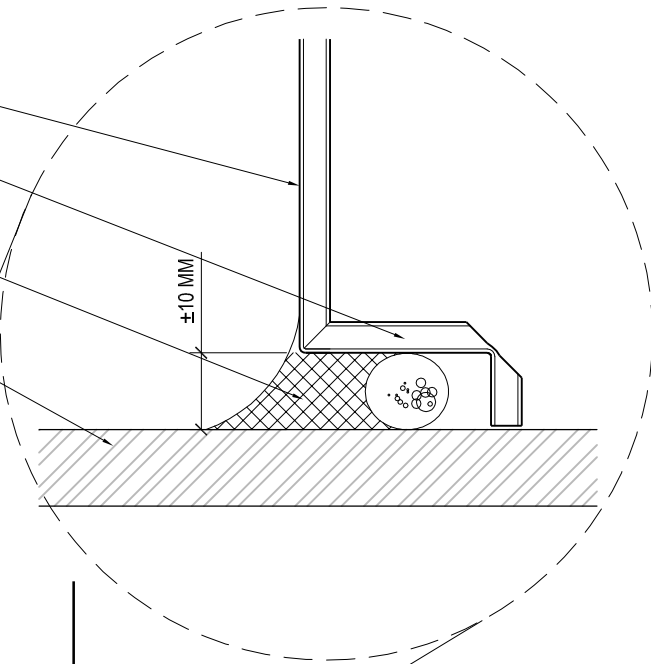
ROUT AND RETURN SYSTEM

SPECIFIED ACM BY SYMONITE

SERRATED STANDARD ACM LEG BY SYMONITE

SEALANT ON PEF ROD BY SYMONITE

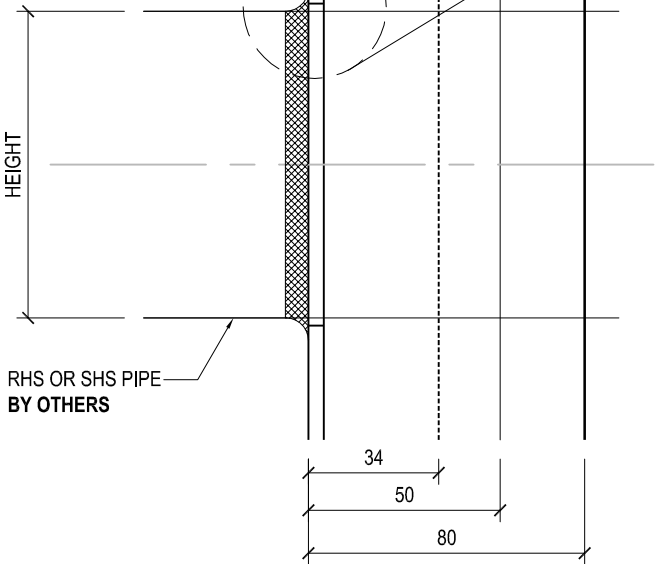
RHS OR SHS PIPE BY OTHERS



EXISTING BUILDING LINE

SPECIFIED ACM BY SYMONITE

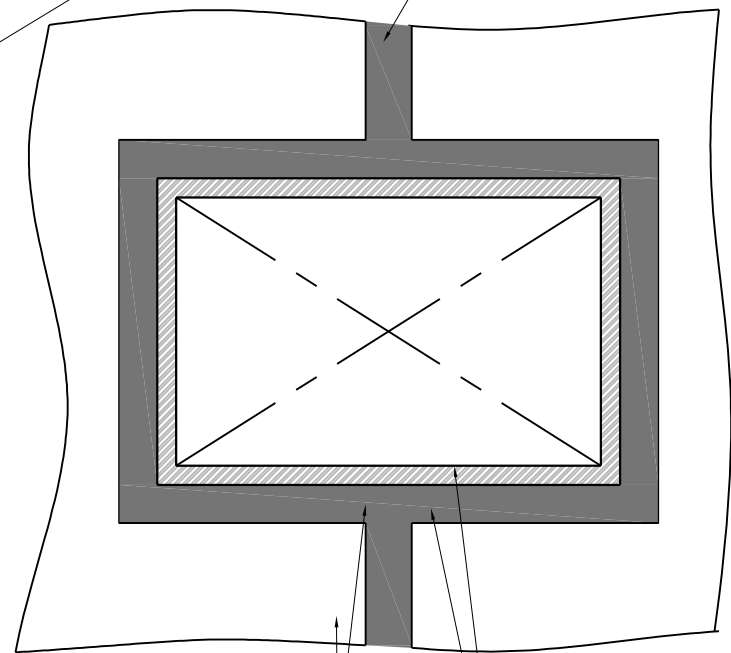
TOPHAT LINE



RHS OR SHS PIPE BY OTHERS

OUTSIDE SIDE ELEVATION INSIDE

15MM STANDARD JOINT BY SYMONITE



SPECIFIED ACM BY SYMONITE

SERRATED STANDARD ACM LEG BY SYMONITE

RHS OR SHS PIPE BY OTHERS

SEALANT ON PEF ROD BY SYMONITE

BACK ELEVATION

SYMONITE

DRAWING TITLE

STANDARD PENETRATION (RHS OR SHS PIPE SECTION)

DRAWING STATUS

ARCHITECTURAL RESOURCE

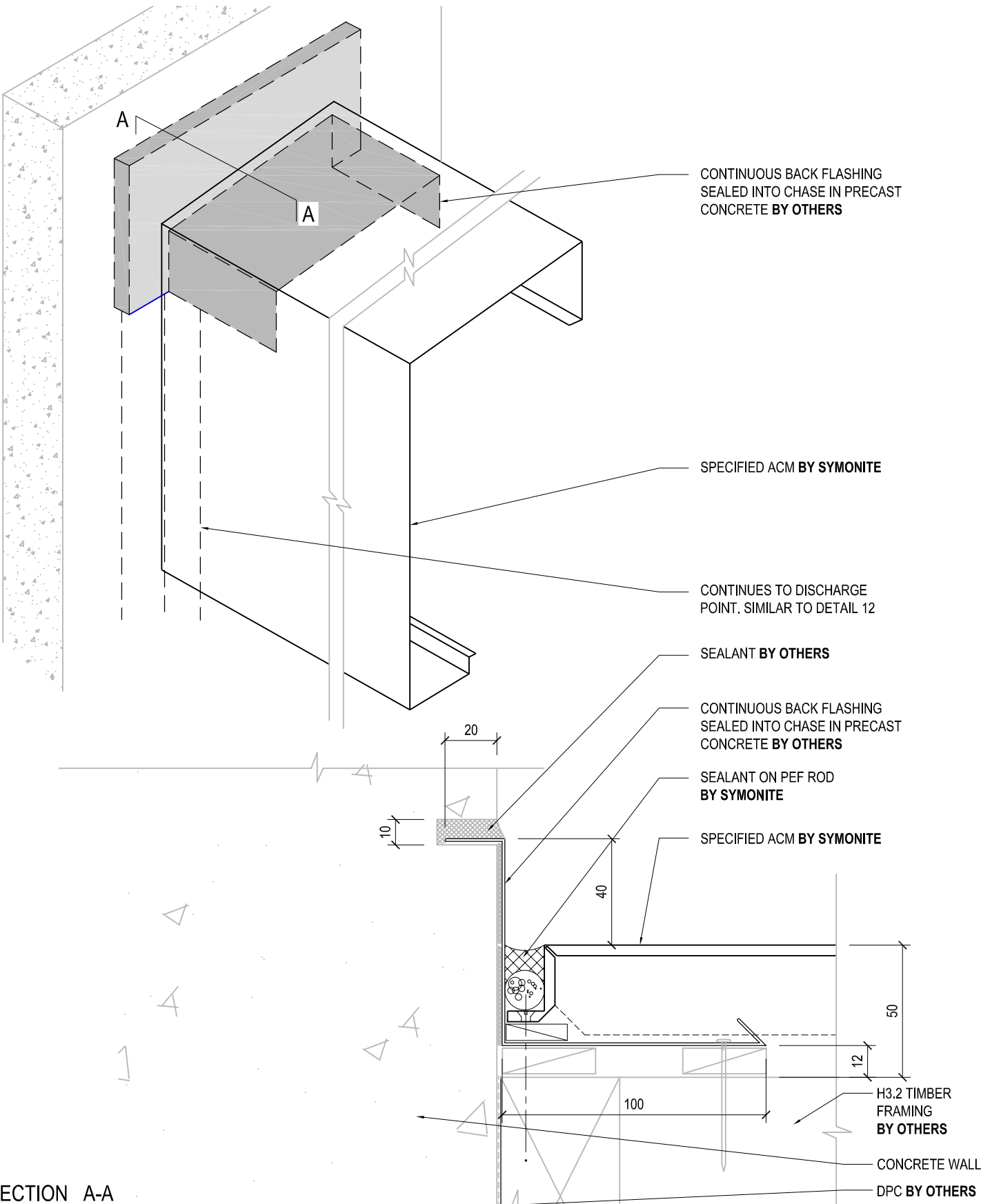
SHEET NO. ISSUE

38 A

SCALE: 1:2

DATE: DECEMBER 2014

ROUT AND RETURN SYSTEM



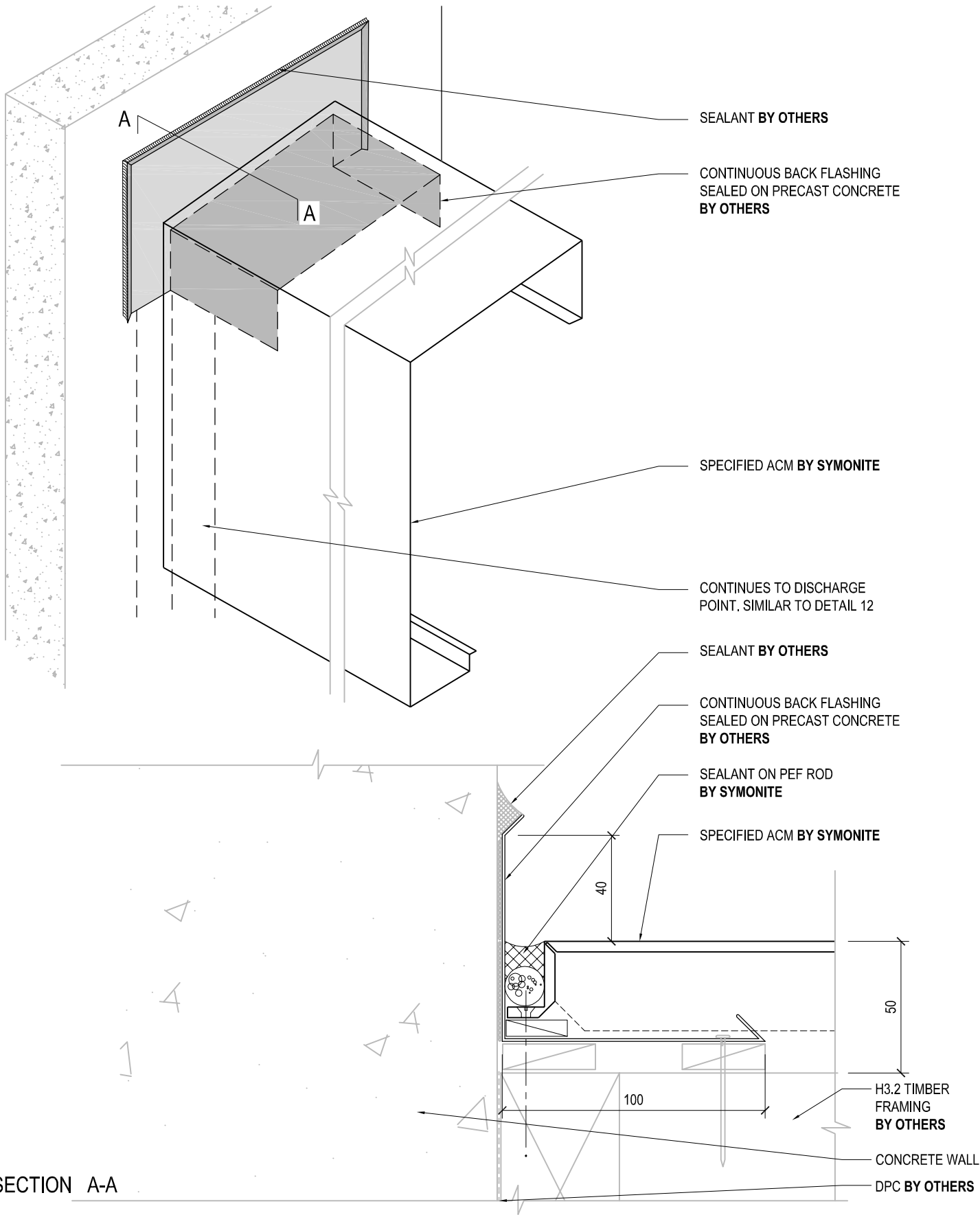
SECTION A-A

NOTE

| | | | | | |
|-----------------|------------------------------------|-------------------------------|---------------------|-----------|-------|
| SYMONITE | DRAWING TITLE | DRAWING STATUS | | SHEET NO. | ISSUE |
| | SADDLE FLASHING CHASED TO CONCRETE | ARCHITECTURAL RESOURCE | | 39 | A |
| | | SCALE: 1:2 | DATE: DECEMBER 2014 | | |

SYMONITE PANELS LIMITED, P.O.Box 101 760, North Shore, Auckland, 72 Ellice Road, Glenfield, Auckland, New Zealand, Telephone 09 443 3896, Facsimile 09 444 2142, Web Site www.symonite.co.nz
 Copyright of this drawing shall remain the property of SYMONITE PANELS LTD. No part of this document may be reproduced or transmitted by any means without the prior permission in writing of SYMONITE PANELS LTD.

ROUT AND RETURN SYSTEM

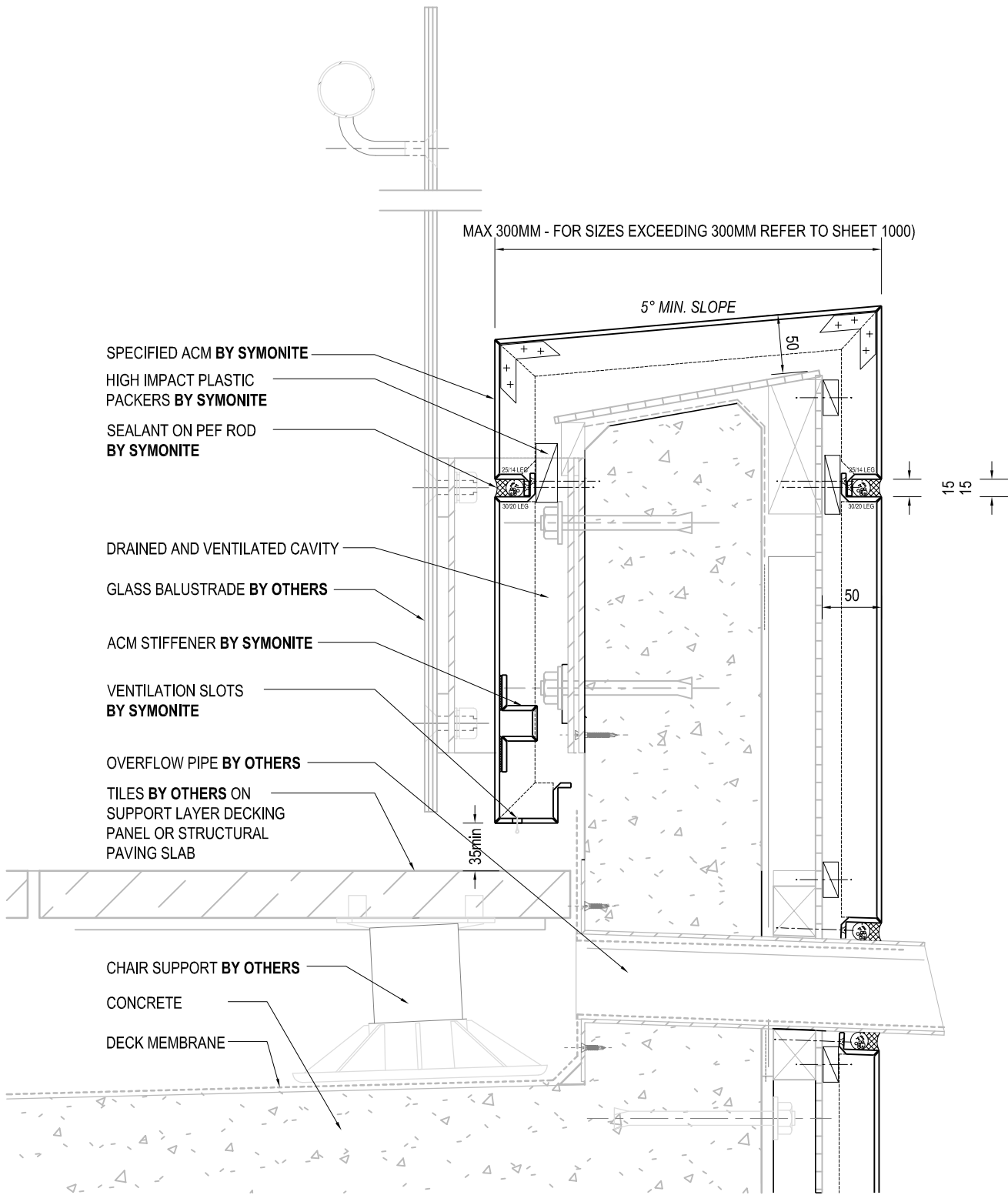


SECTION A-A

| | | | | | |
|-----------------|-------------------------------------|-------------------------------|--|---------------------|-------|
| SYMONITE | DRAWING TITLE | DRAWING STATUS | | SHEET NO. | ISSUE |
| | SADDLE FLASHING IN BIRD BEAK | ARCHITECTURAL RESOURCE | | 40 | A |
| | SCALE: 1:2 | | | DATE: DECEMBER 2014 | |

SYMONITE PANELS LIMITED, P.O.Box 101 760, North Shore, Auckland, 72 Ellice Road, Glenfield, Auckland, New Zealand, Telephone 09 443 3896, Facsimile 09 444 2142, Web Site www.symonite.co.nz
 Copyright of this drawing shall remain the property of SYMONITE PANELS LTD. No part of this document may be reproduced or transmitted by any means without the prior permission in writing of SYMONITE PANELS LTD.

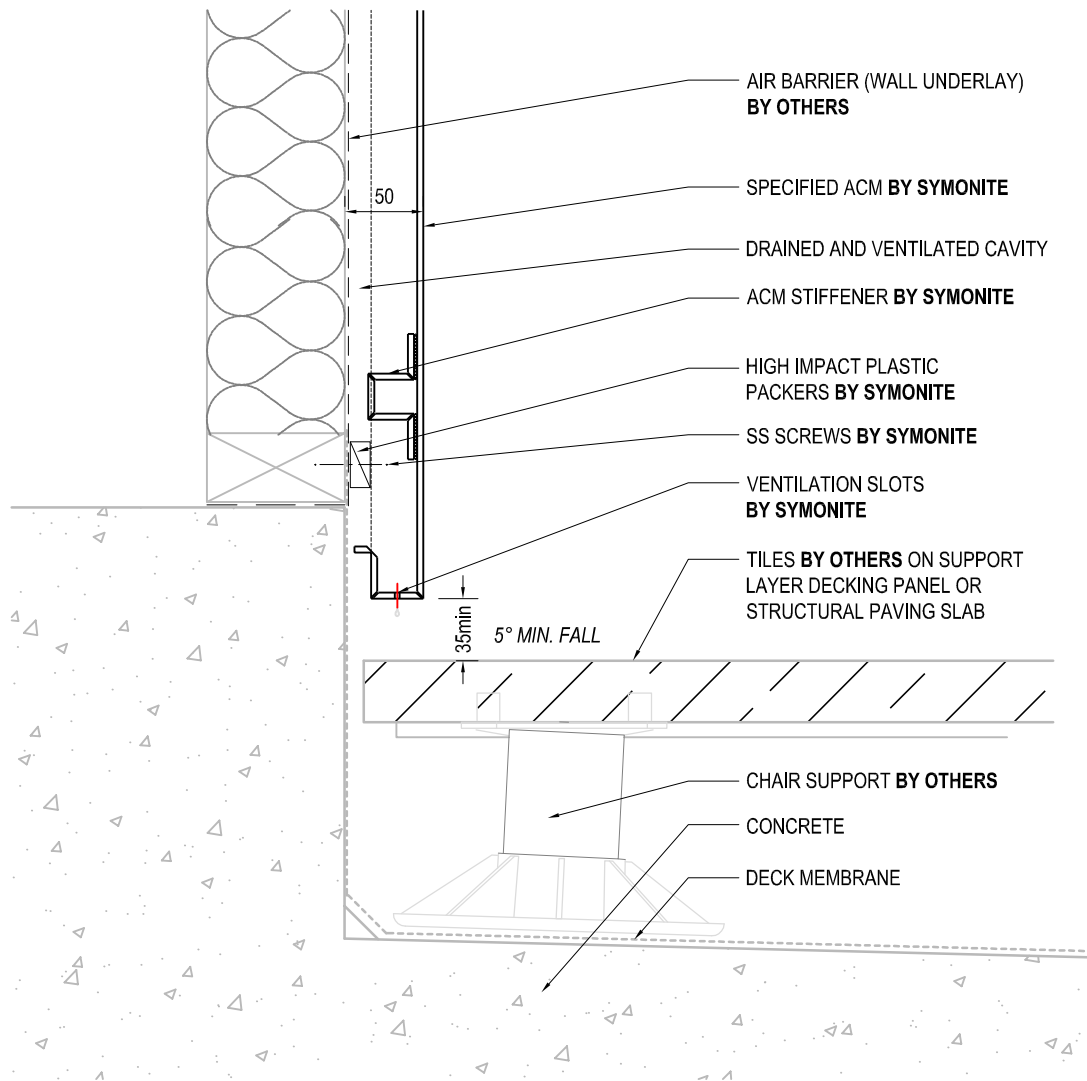
ROUT AND RETURN SYSTEM



| | |
|----------------------------|------------------------|
| DRAWING TITLE | DRAWING STATUS |
| SAMPLE BALUSTRADE DETAIL 2 | ARCHITECTURAL RESOURCE |

| | |
|------------|---------------------|
| SHEET NO. | ISSUE |
| 41 | A |
| SCALE: 1:5 | DATE: DECEMBER 2014 |

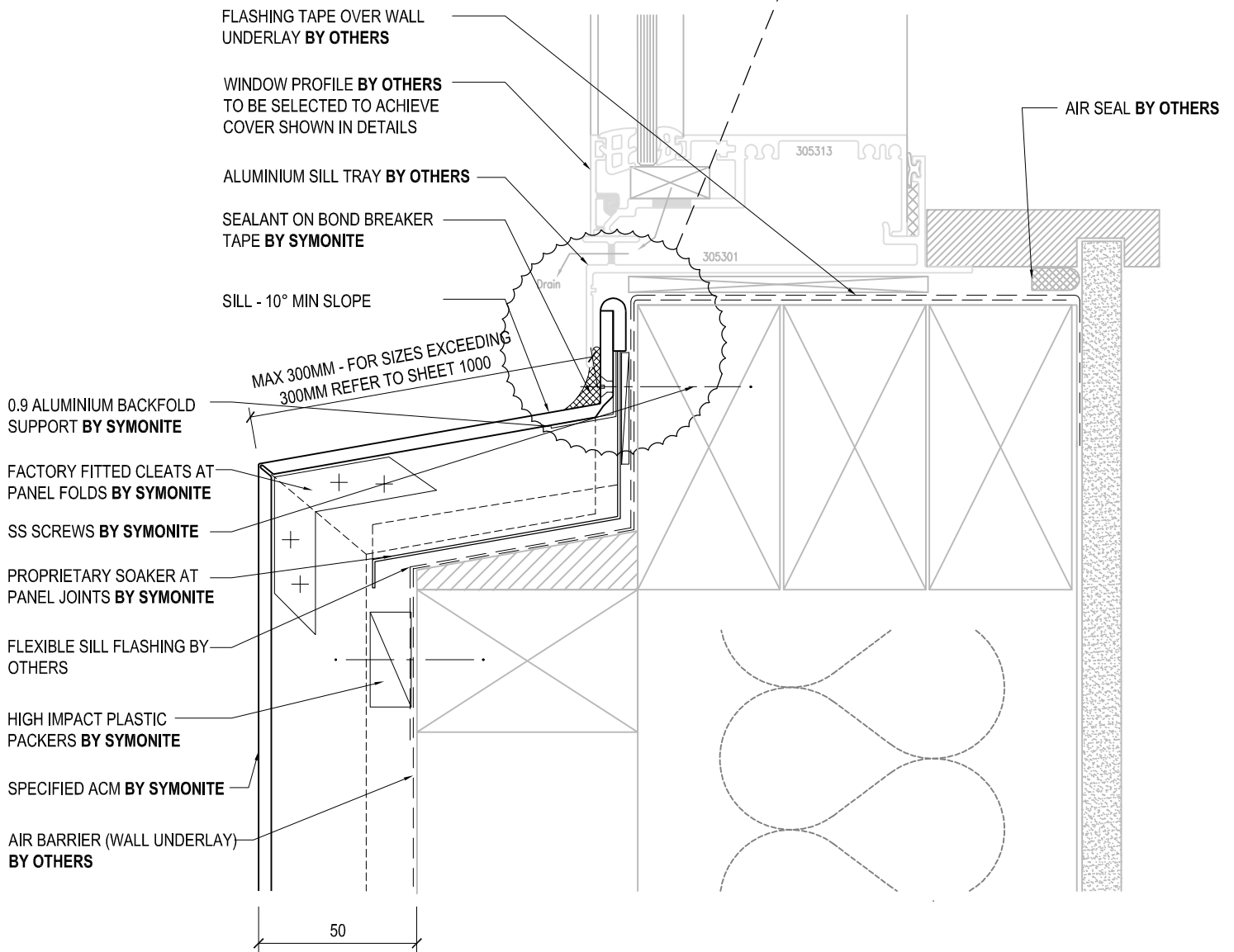
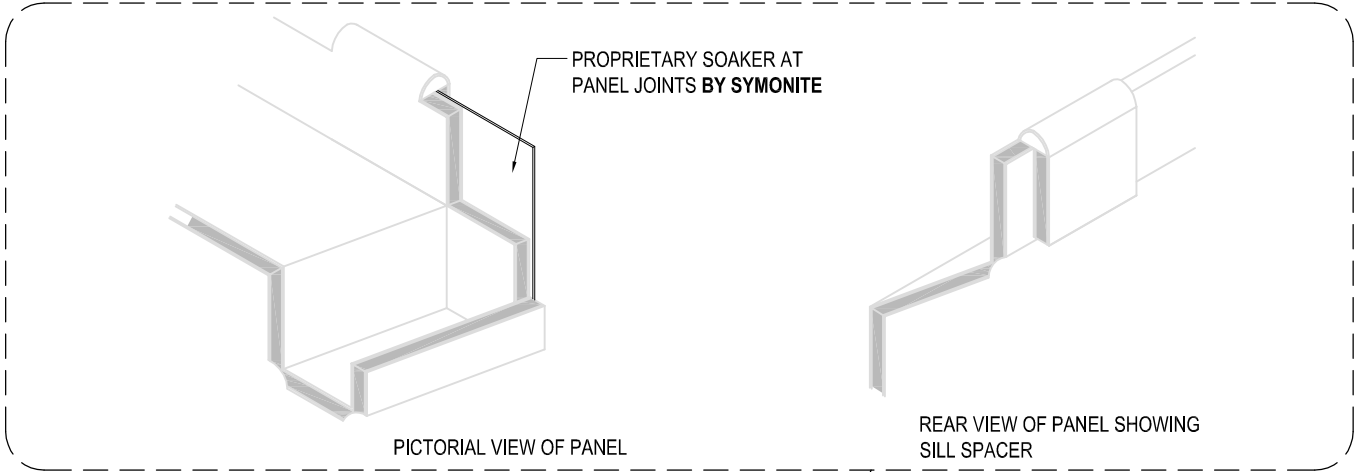
ROUT AND RETURN SYSTEM



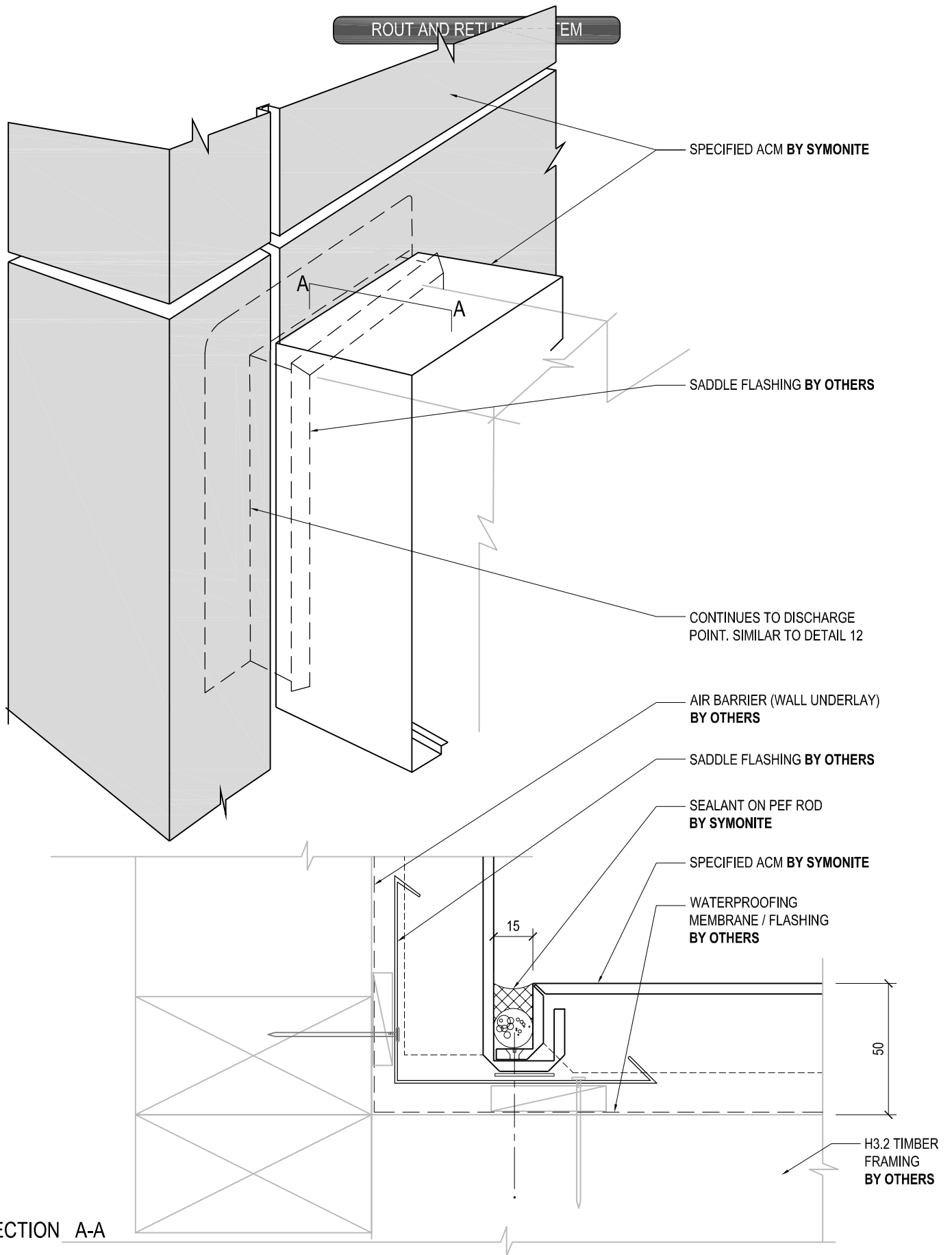
| | |
|----------------------|-------------------------------|
| DRAWING TITLE | DRAWING STATUS |
| SAMPLE DECK DETAIL | ARCHITECTURAL RESOURCE |
| | SCALE: 1:5 |

| | | | |
|------------------------------------|----|----------------------|---|
| <small>SHEET NO.</small> | 42 | <small>ISSUE</small> | A |
| <small>DATE:</small> DECEMBER 2014 | | | |

ROUT AND RETURN SYSTEM



| | | | |
|--|--|------------------------|---------------------|
| DRAWING TITLE | | DRAWING STATUS | |
| COMMERCIAL WINDOW SILL DETAIL - RECESSED | | ARCHITECTURAL RESOURCE | SHEET NO. 43 |
| | | ISSUE A | DATE: DECEMBER 2014 |
| | | SCALE: 1:2 | |



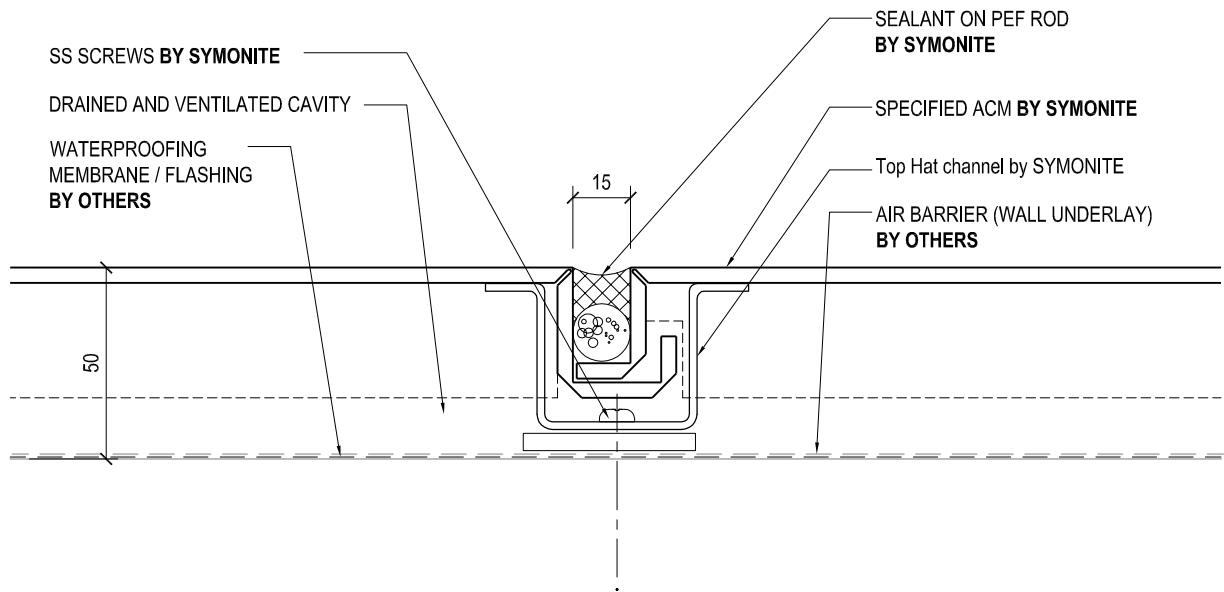
SECTION A-A



| | | | |
|-----------------------|------------------------|----|-------|
| DRAWING TITLE | ARCHITECTURAL RESOURCE | | |
| ACM TO ACM CONNECTION | SHEET NO. | 44 | ISSUE |
| | | | A |

| | | | |
|----------------|------------|--|---------------------|
| DRAWING STATUS | SCALE: 1:2 | | DATE: DECEMBER 2014 |
|----------------|------------|--|---------------------|

ROUT AND RETURN SYSTEM



NOTE

- THIS DETAIL APPLIES TO ACM JOINTS LONGER THAN 300MM SLOPING LESS THAN 30°.



| | | | |
|-----------------------------------|-----------------------------------|---------------------|------------|
| DRAWING TITLE | DRAWING STATUS | | |
| JOINT WITH EDGE SUPPORT DETAIL | ARCHITECTURAL RESOURCE | SHEET NO. 1000 | ISSUE A |
| | SCALE: 1:2 | DATE: DECEMBER 2014 | |