

RONDO®

**Steel Stud
Drywall Framing Systems**

steel framing installation guide



RONDO

STEEL STUD & TRACK SECTIONS

GENERAL INFORMATION

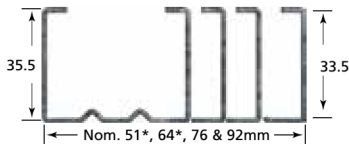
Rondo Steel Stud Drywall Framing Systems provide designers with a versatile and durable framing system, manufactured to Australian and New Zealand Standards. Rondo recommends that you check you are referring to the latest edition by comparing this to the one currently available on our website, www.rondo.com.au

FEATURES & BENEFITS

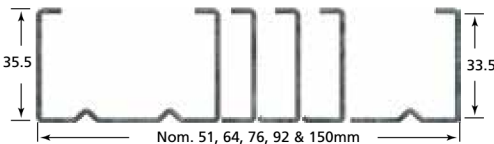
FEATURE	BENEFIT
Code Compliance	Rondo Steel Stud and Track Sections are manufactured to enable designs to be carried out in accordance with the BCA and appropriate Australian and New Zealand Standards. The design tables have been designed to comply with AS/NZS 4600:1996 for cold formed steel structures.
Rondo Guarantee	When installed correctly, Rondo guarantees in writing that its products and systems will perform to specification. NOTE: Mixing of different manufacturers systems is not recommended by Rondo and as such is not covered by the Rondo Guarantee.
Superior Design	The Rondo Steel Stud and Track profile designs have been tested to give maximum performance when installed.
Quality Assurance	The Rondo Steel Stud and Track range is produced using highly advanced, state-of-the-art manufacturing processes by a manufacturer who has been in the business for over 50 years, using a quality management system certified to ISO 9001 standards.
Technical Expertise	For detailed technical information, visit www.rondo.com.au to download our full Rondo Professional Design Manual or use the Rondo Wall Design Wizard on the Rondo App or website. For all other advice, such as load-bearing walls, contact your local Rondo Sales Representative.
Time-saving and Economical	Drywall Steel Framing systems are approximately 88% lighter than a 110mm single brick rendered wall. Bell-mouthed service holes at 600mm centres do not require grommets for cabling. Stock and sub-pack quantities are strapped for easy lifting by crane/forklift or manually.
Sound and Fire-Rating Solutions	Construction of fire-rated walls can be achieved using the appropriate systems and accessories provided. Refer to the technical literature published by the respective lining board manufacturer for more detailed instructions on designing & installing fire-rated or sound rated drywall systems.

RONDO STUD & TRACK SECTIONS

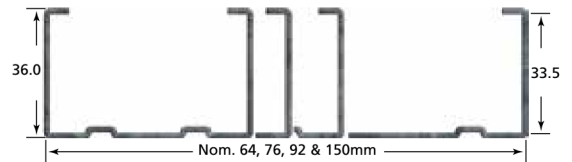
WALL STUDS



0.50/0.55 BMT

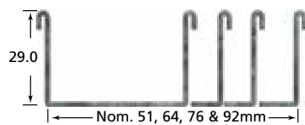


0.75 BMT

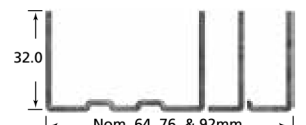


1.15 BMT

WALL TRACKS

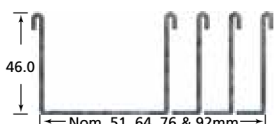


0.50/0.70 BMT

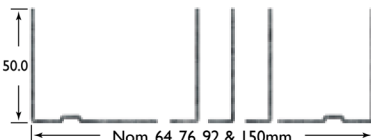


1.15 BMT

DEFLECTION HEAD TRACKS

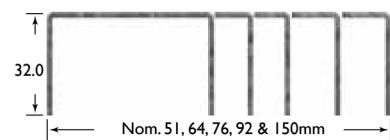
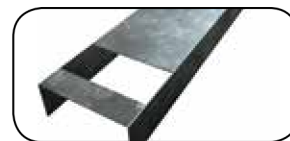


0.50/0.70 BMT



0.75/1.15 BMT

NOGGING TRACK



Nom. 51, 64, 76, 92 & 150mm

RONDO STEEL STUD & TRACK INSTALLATION

1. SYSTEM SELECTION

Using Table 1 below, choose the stud appropriate to your wall height and the lining board you desire to use. Then select tracks to match size and gauge of chosen studs.

2. NOGGINGS

Using Table 2, determine the nogging requirements for the wall. The continuous Nogging Track can be installed by sitting the track flat over the floor track while studs are fitted, and then slide the nogging track up over the studs. Screw fix the nogging to both sides of the stud at the point of intersection. Refer Figure 4.

3. SET OUT AND INSTALLATION

Install the floor and ceiling track to suit your wall layout and secure to the structure at no less than 600mm centres internally, and 100mm from ends. For information on the appropriate fixings, consult your Authorised Rondo Distributor.

4. INSERT WALL STUDS

Insert Wall Studs into Wall Tracks at the appropriate position as per Figure 4, ensuring all studs are facing the same way. Wall studs are designed to be friction fitted into the tracks, and are installed using a twisting action. Ensure service holes in studs are aligned. Studs are braced by the application of the lining board, so do not require permanent fixing.

5. INTERSECTIONS

Figures 1 & 2 show typical wall intersections whilst Figures 5 & 6 show typical ceiling intersections. For more complex connections, refer to the Rondo website or consult your Authorised Rondo Distributor.

6. CONTROL JOINTS

Plasterboard manufacturers recommend control joints be installed in continuous walls at not more than 12m. Refer Figure 3.

7. PLASTERBOARD LINING

While plasterboard manufacturers should be consulted about linings, it is critical that lining boards be installed to the open side of the stud first to ensure misalignment of joints does not occur in vertical fixing applications.

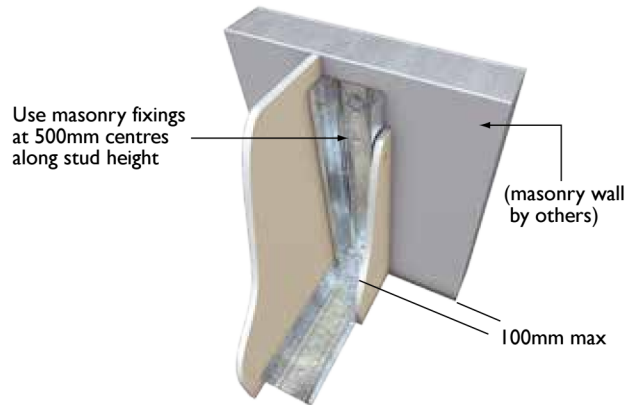


FIGURE 1: INTERSECTION – MASONRY

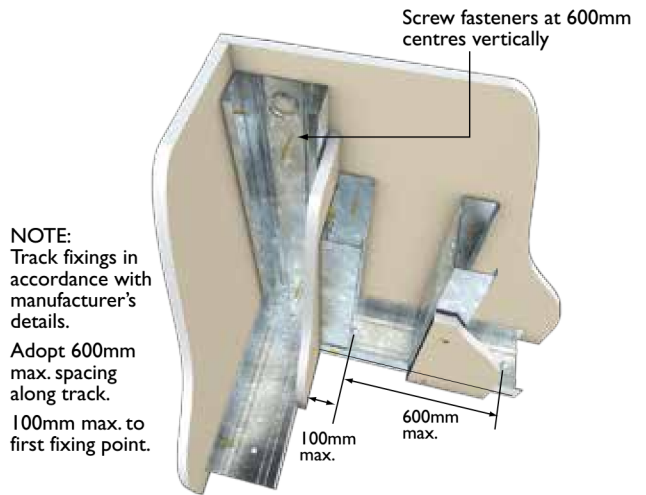


FIGURE 2: CORNER – SINGLE LAYER APPLICATION

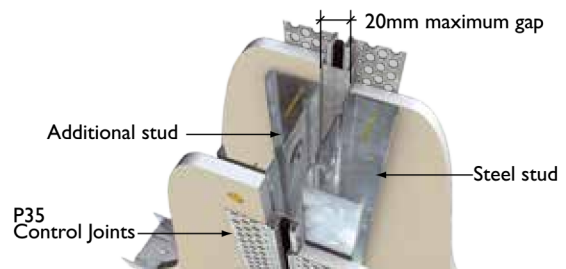


FIGURE 3: STUD WALL CONSTRUCTION WITH CONTROL JOINT

TABLE 1: Maximum Wall Heights

PLASTERBOARD LININGS		SINGLE STUDS @ 600mm CENTRES						
		0.50		0.55		0.75		
BMT		51mm	64mm	76mm	92mm	64mm	76mm	92mm
STUD WIDTH		51mm	64mm	76mm	92mm	64mm	76mm	92mm
LINED BOTH SIDES	1x10mm	2770	3330	3700	4540	3930	4430	4830
	1x13mm	3200	3720	4130	4940	4220	5020	5500
	1x16mm	3380	3910	4300	5180	4350	5250	5710
LINED ONE SIDE	1x10mm	2320	2720	3200	3610	3130	3580	4130
	1x13mm	2320	2720	3240	3610	3250	3820	4180
	1x16mm	2320	2720	3250	3610	3280	3870	4200

NOTE: These wall heights are not suitable for perimeter or external walls

TABLE 2: Nogging Requirements

WALL HEIGHT (m)	LINING	NO. OF NOGGINGS
0 – 4.4	Lined both sides	0
4.4 – 8.8		1
0 – 3.0	Lined one side	1
3.0 – 6.0		2
6.0 – 8.0		3
8.0+		4

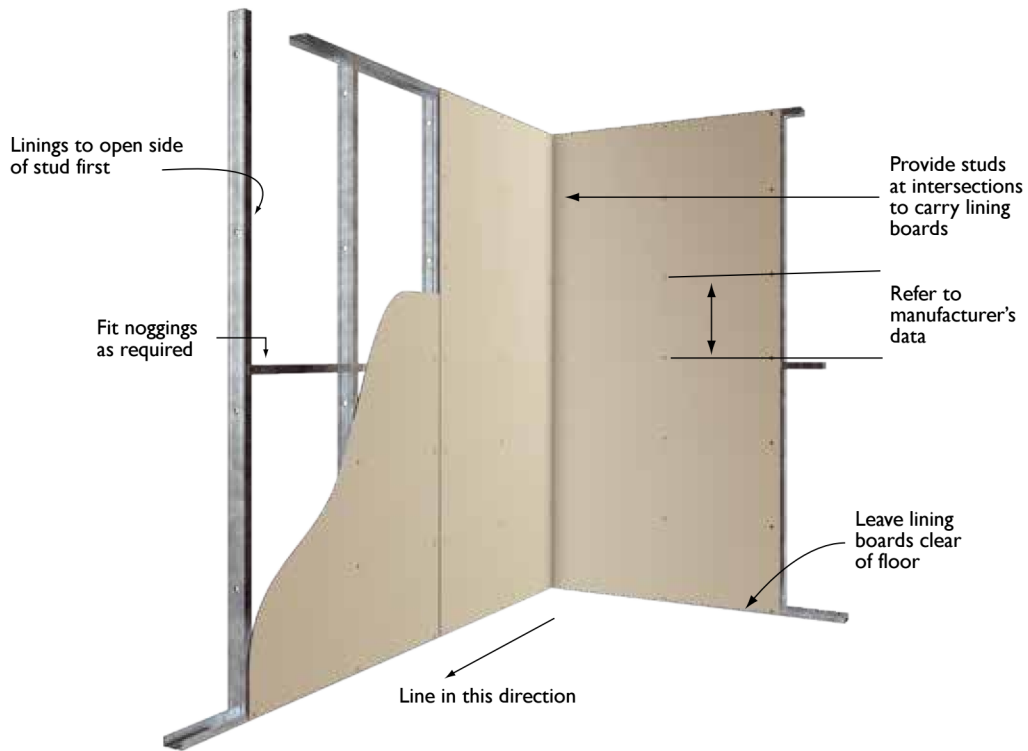


FIGURE 4: STUD WALL CONFIGURATION AND PLASTERBOARD FIXING DETAIL

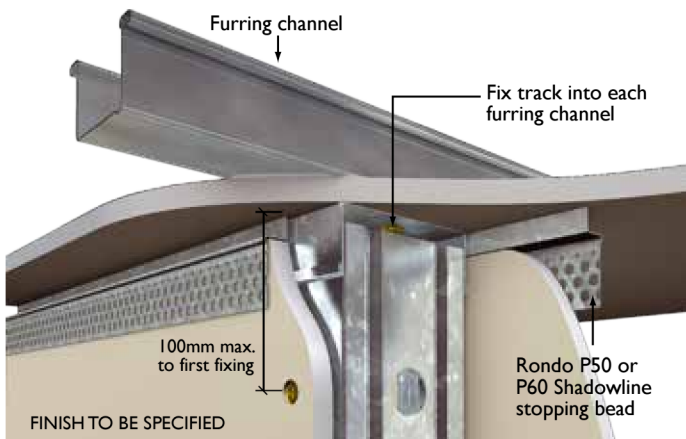


FIGURE 5A: WALL/CEILING INTERSECTION DETAIL WITH FRICTION FIT FOR SHADOWLINE APPLICATIONS

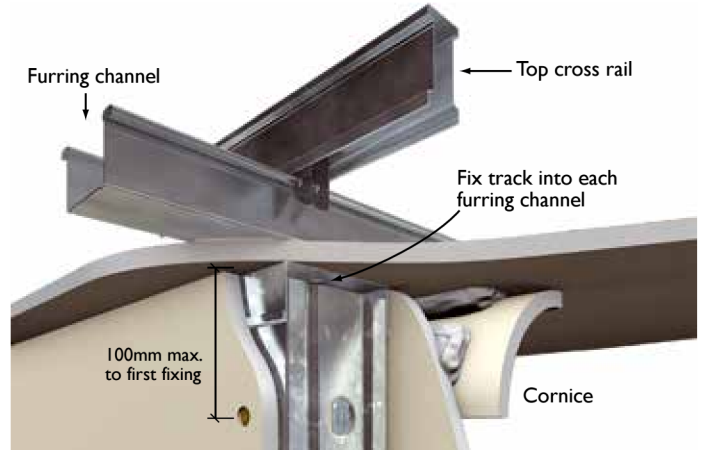


FIGURE 5B: WALL/CEILING INTERSECTION DETAIL WITH FRICTION FIT FOR CORNICE APPLICATIONS

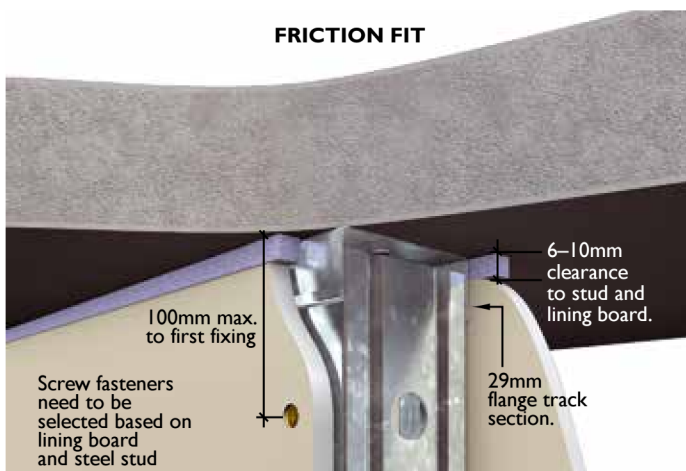


FIGURE 6A: FRICTION FIT APPLICATION

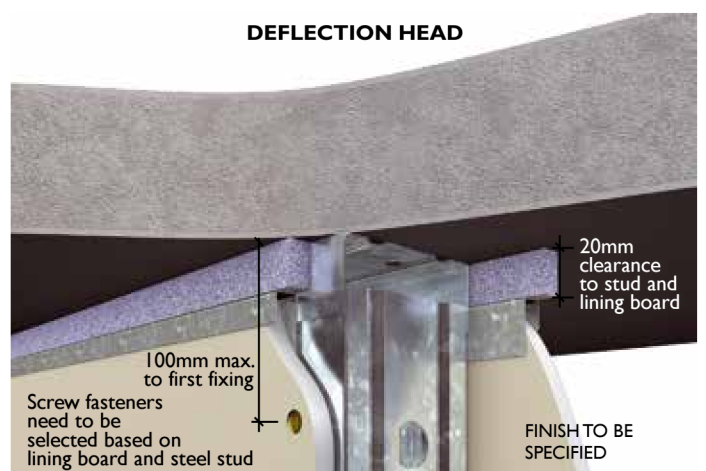


FIGURE 6B: DEFLECTION HEAD APPLICATION

NOTE: DO NOT RIGIDLY FIX CORNICE TO WALLS WHERE FRICTION JOINTS OR DEFLECTION HEADS ARE USED.

INSTALLATION DETAILS: WINDOW & DOOR FRAMING

Figure 7 details standard fixings suitable for window openings up to 1500mm and standard single leaf door openings. For configurations outside of these limits and external wall framings, consult your local Rondo office.

Note:

- Studs adjacent to window and door openings should be boxed and screw-fastened to the wall tracks and should be taken through to the structural soffit.
- Allow sufficient length on each end of the track to facilitate a suitable connection at the head or sill.
- Fit studs above and below the window openings and above the door openings as per Detail A.

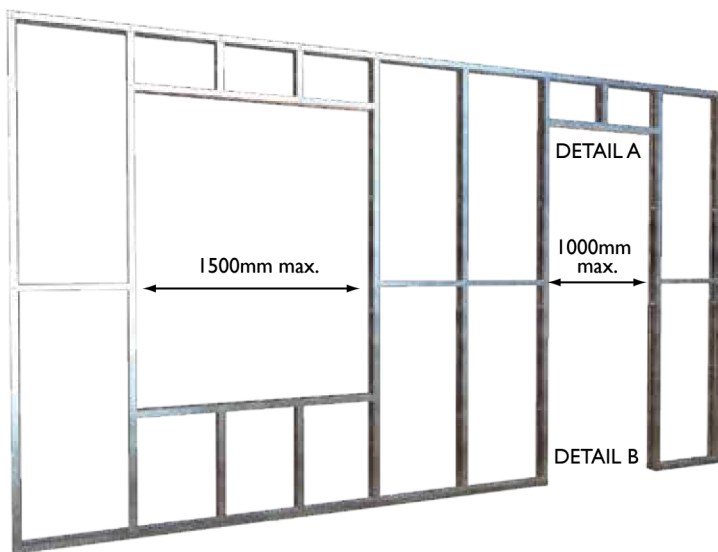
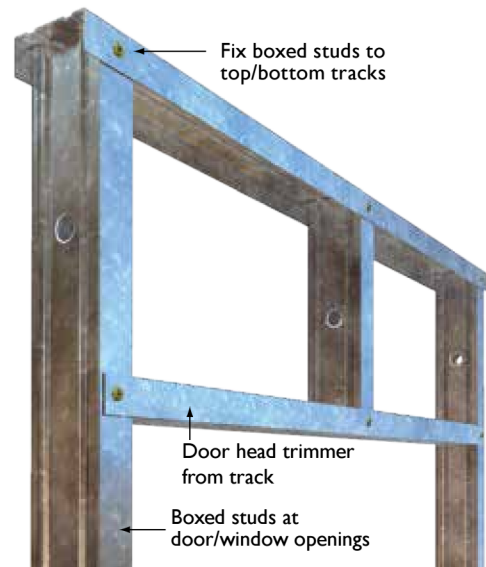


FIGURE 7: INTERNAL WALL FRAMING



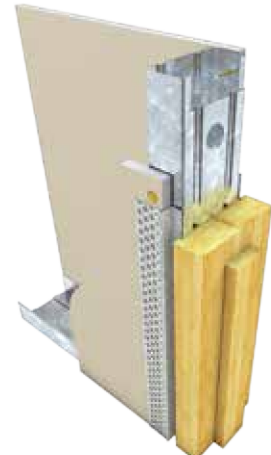
DETAIL A: DOOR/WINDOW HEAD DETAIL



EXTRUDED ALUMINIUM DOOR JAMB PROFILE



TIMBER DOOR JAMB WITH STOPPING BEAD TO LINING BOARD



TIMBER DOOR JAMB WITH SHADOWLINE DETAIL

DETAIL B: VARIOUS DOOR JAMB DETAILS

NOTE: This brochure provides a guide to basic drywall installation and the Rondo range. For solutions outside of the scope of this brochure, download the full Rondo Professional Design Manual from the Rondo website, or obtain a Rondo Professional Design USB from your local Authorised Rondo Distributor.

Rondo recommends that you seek professional advice in the selection of your system from your in-store sales consultant. Installation of complex or load-bearing wall systems should be undertaken by a qualified tradesperson.

The details in this brochure may not be suitable for fire-rated or acoustic applications, and Rondo recommends consulting a suitably qualified professional.

RONDO OFFICES

AUSTRALIA

RONDO BUILDING SERVICES PTY LTD

CUSTOMER SERVICE HOTLINE: 1300-36-RONDO (1300-36-7663)

NEW SOUTH WALES

57-87 Lockwood Road Erskine Park NSW 2759

(PO Box 324 St Marys NSW 1790)

phone: 61-2-9912 7300

fax: 61-2-9912 7310

email: nsw@rondo.com.au

VICTORIA

12-14 Dunlop Road Mulgrave VIC 3170

(Private Bag 23 Mulgrave VIC 3170)

phone: 61-3-8561 2222

fax: 61-3-8561 2266

email: vic@rondo.com.au

QUEENSLAND

13 Binary Street Yatala QLD 4207

(PO Box 6006 Yatala QLD 4207)

phone: 61-7-3442 6400

fax: 61-7-3442 6427

email: qld@rondo.com.au

SOUTH AUSTRALIA

39 George Street Green Fields SA 5107

phone: 61-8-8256 5900

fax: 61-8-8256 5922

email: sa@rondo.com.au

WESTERN AUSTRALIA

5 Hazelhurst Street Kewdale WA 6105

(PO Box 168 Cloverdale WA 6985)

phone: 61-8-9251 9400

fax: 61-8-9251 9414

email: wa@rondo.com.au

HEAD OFFICE

57-87 Lockwood Road Erskine Park NSW 2759

(PO Box 324 St Marys NSW 1790)

phone: 61-2-9912 7303

fax: 61-2-9912 7313

email: rondo@rondo.com.au

EXPORT

phone: 61-438-427-479

fax: 61-7-3287-1881

email: export@rondo.com.au

NEW ZEALAND

RONDO BUILDING SERVICES PTY LTD

117A Captain Springs Road Onehunga Auckland 1061 New Zealand

(PO Box 12464 Penrose Auckland 1642 New Zealand)

phone: 64-9-636 5110

fax: 64-9-636 5111

email: newzealand@rondo.com.au

FREE CALL: 0800-0800-RONDO (0800-0800-76)

MALAYSIA

RONDO METAL PRODUCTS SDN BHD

Lot 606, Off Jalan SS13/1K

47500 Subang Jaya Selangor

phone: 60-3-5636 0710

fax: 60-3-5636 0711

INDIA

RONDO METAL SYSTEMS PVT LTD

Plot No. J-21, MIDC Taloja, Tal. Panvel

Dist. Raigad - 410-208 Mumbai India

phone: 91-22-2740 2831

RONDO®

www.rondo.com.au

This brochure is printed on 55% recycled paper and 45% pulp from responsible forestry, FSC® Certified. RONDO® is a registered trademarks of Rondo Building Services Pty Ltd. ABN 69 000 289 207.

First Printed MAY 2009. Revised OCT 2013.

