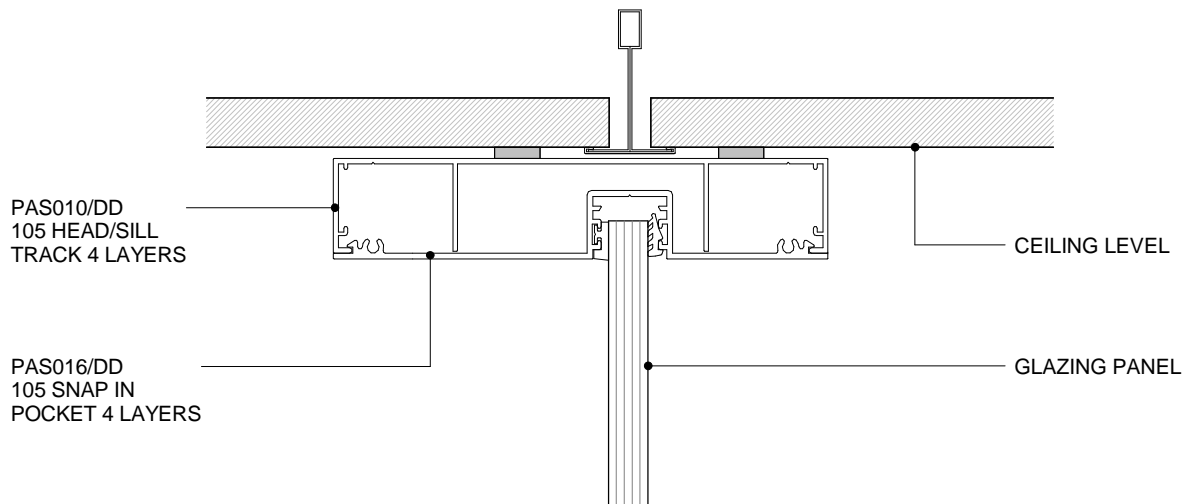


**SD TRACK 3 LAYERS**



**DD TRACK 4 LAYERS**

**POTTER ALUMINIUM SYSTEMS  
A SERIES 105 - 64MM - GLAZED HEADTRACK MULTI-LAYER  
CROSS SECTION**

**2.5.12**  
SHEET

1:2@A4  
SCALE

A 01/04/2020  
ISSUED DATE

0800 POTTER (0800 768 837) WWW.POTTERS.CO.NZ  
SUBJECT TO CHANGE WITHOUT NOTICE

