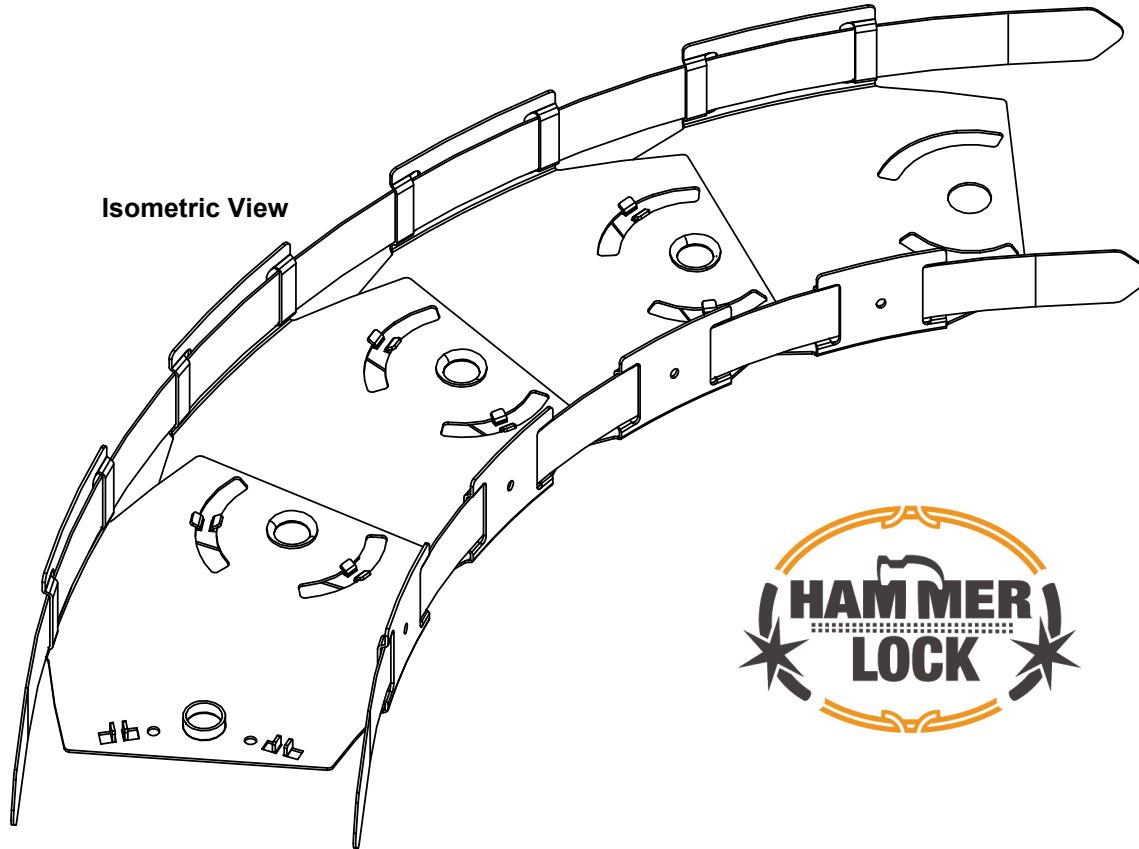


Product Detail

Flex-C Trac

3 5/8" - 20 Ga.

Isometric View



Specifications

Channel:

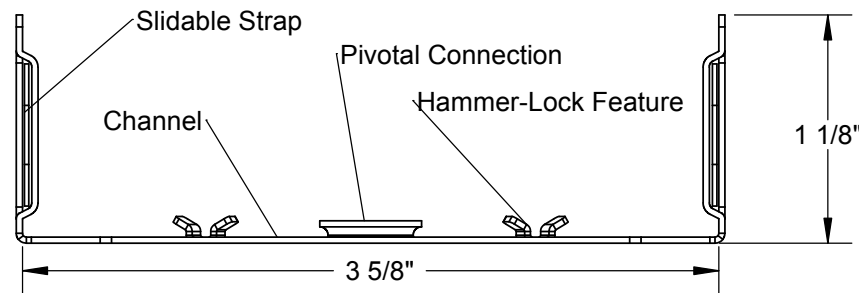
- ASTM A653, structural grade 33, hot dipped galvanized steel
- Standard protective coating equal or superior to ASTM A653 coating designation G-40 or A-40
- 20 gauge
- Length: 10'

Slidable Strap:

- ASTM A653, structural grade 80, galvanized steel
- Standard protective coating equal or superior to ASTM A653 coating designation G-60 or A-60

Dimensions: .750" x .025"

Sectional View



Distributor:
Contractor:
Project:
Product Detail: PDM3

Quantity:
Approved By:
Architect:
Date:

