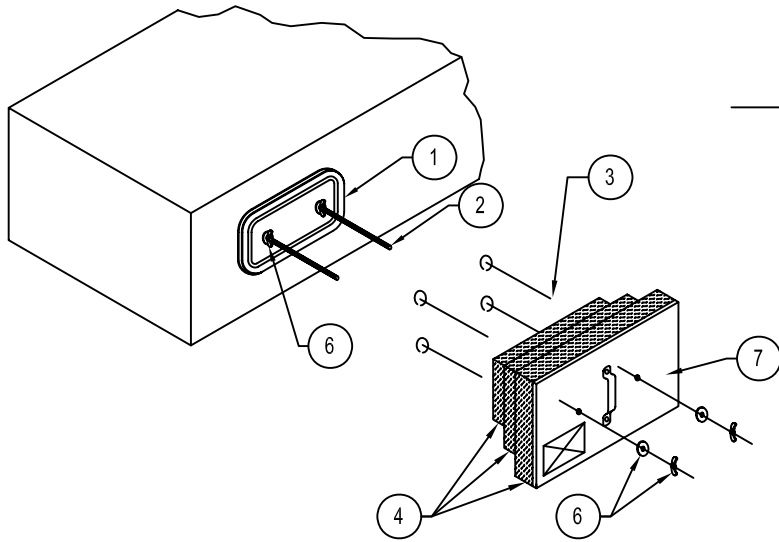


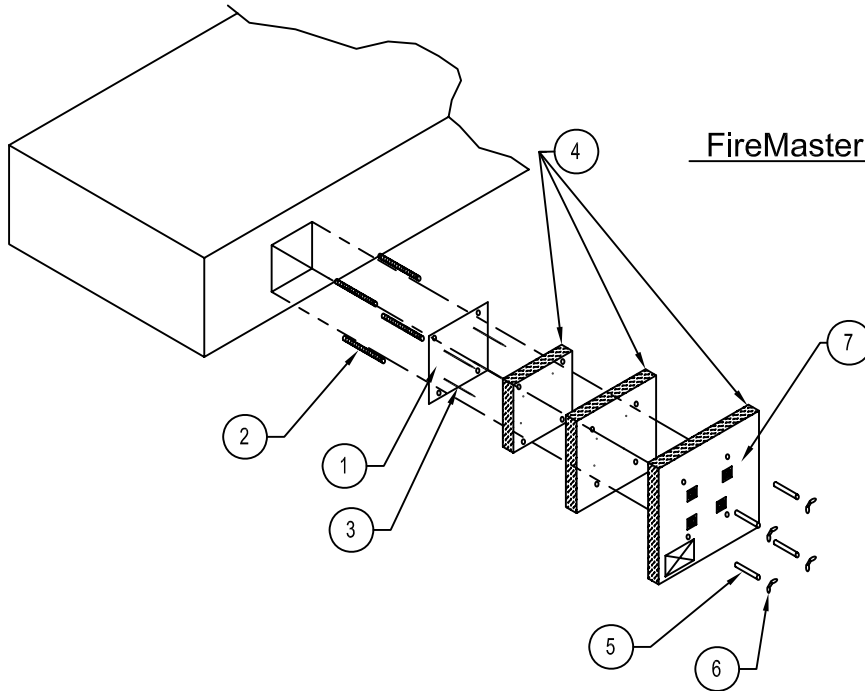
Thermal Ceramics FireMaster® FastWrap® XL Access Door Systems Commercial Kitchen Grease Duct Enclosure System



FireMaster F2-HT-XL3 Door System

NOTE: Available from Thermal Ceramics FireMaster Distributors.

Note:
 Label Required
 "Access Door"
 Do Not Obstruct



FireMaster Field Fabricated Door System

Note:
 Label Required
 "Access Door"
 Do Not Obstruct

LEGEND	
1	DuctMate F2-HT Access Door or 16 Gage Field Fabricated Access Door.
2	All Thread Rods.
3	Installation Pins with Speed Clips.
4	Three Layers of FireMaster FastWrap XL Blanket with Minimum 1" Overlaps and All Edges Sealed with Aluminum Tape.
5	Spool Pieces for Threaded Rods
6	Wing Nuts and Washers
7	Outer Cover Plate Labeled "ACCESS DOOR - DO NOT OBSTRUCT"

The integrity of the duct wrap insulation product is limited to the quality of the installation