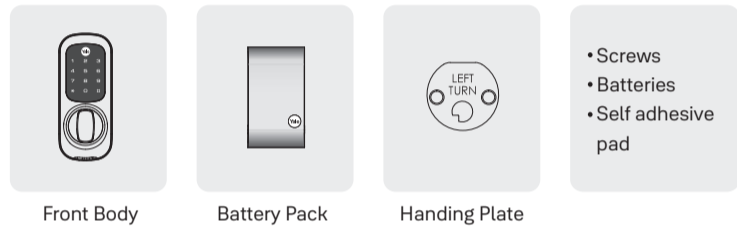


### Contents Include

Fit the Yale Smart Latch 2 using hand Phillips screwdriver to avoid cross threading fixing screws. If using a cordless, please ensure it is set to low speed & torque.



For more info, visit: [yalehome.com/nz](http://yalehome.com/nz)

Part of ASSA ABLOY

ISL-1123

### Before getting started

Are you installing the Yale Smart Latch with a new Nightlatch?

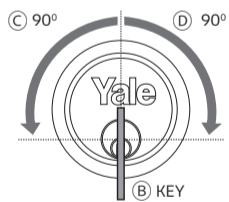
Yes, I have bought the Yale Smart Latch with a new Nightlatch to install them onto my door.  
 → Please start from installation step **2** ON THE RIGHT PAGE

NO, I am going to keep using the existing Nightlatch on my door with the with the Yale Smart Latch.  
 → There are many types of Nightlatches, so please start from installation step **1** BELOW, and follow the check points for correct installation.

#### 1 Check Point

Please use the key of your existing Nightlatch and check the below

- A Keep your door open
- B Insert the key in the outside cylinder key hole
- C Turn the key 90° counter clockwise (to the left) and check the latch fully retracts
- D Turn the key 90° clockwise (to the right) and check the latch fully retracts



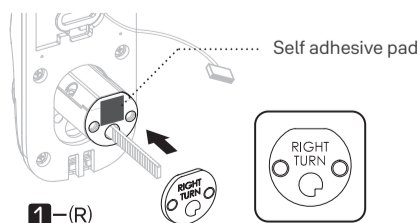
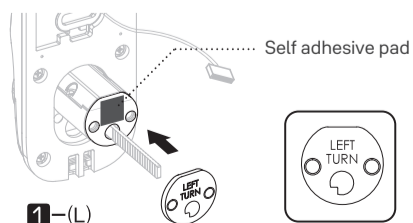
Can you open with your key in both directions? Please go to step **2**

Can you open with your key only in the left direction? Not in the right direction?  
 → Your Nightlatch needs an additional plate  
 PLEASE GO TO STEP **1**-(L)

Can you open with your key only in the right direction? Not in the left direction?  
 → Your Nightlatch needs an additional plate  
 PLEASE GO TO STEP **1**-(R)

Please attach the additional handing plate tightly onto the cylinder fixing surface. The plate must be aligned with the shape. Make sure the 'LEFT TURN' is shown as the image below if your latch is opened only to the LEFT direction by the key.

Please attach the additional handing plate tightly onto the cylinder fixing surface. The plate must be aligned with the shape. Make sure the 'RIGHT TURN' is shown as the image below if your latch is opened only to the RIGHT direction by the key.



# Smart Latch 2

## Installation Guide



Please read the instructions before fitting and using the Yale Smart Latch 2.

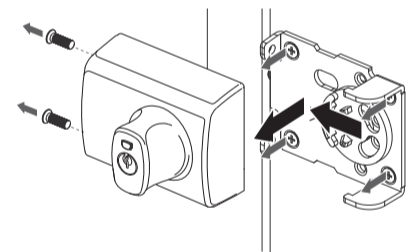
The functions and design of this product can be changed without prior notice for performance and quality improvements.

The smarter way to protect your home.

#### 2 Disassemble Lockset

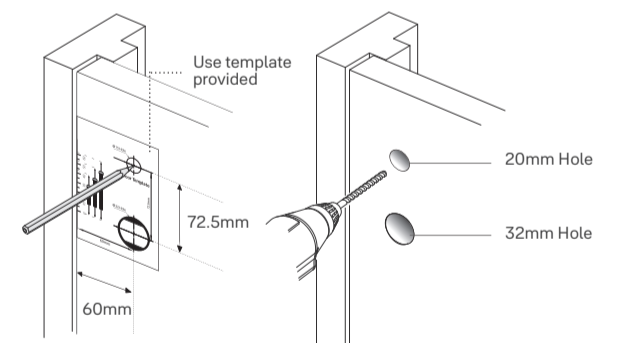
Please disassemble your existing Nightlatch case and mounting plate.

\*The Nightlatch and plates above are generic images. If you are retrofitting the Yale Smart Latch, your existing Nightlatch may be different.

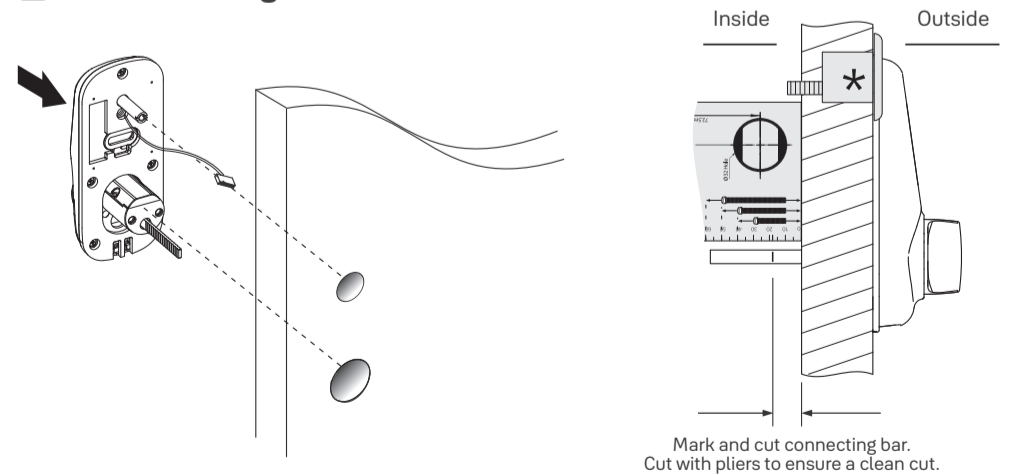


#### 3 Door Preparation

At the height you want your lock, use a pencil to mark a spot exactly 60mm from the edge of the door. At that spot, drill a 32mm diameter hole through the door. Or if using an existing cylinder hole, use the template to mark the position for the 20mm hole.



#### 4 Cut Connecting Bar

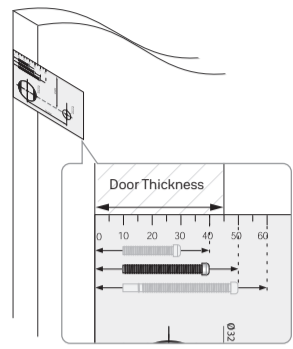


Place the Electronic Keypad into the holes on the outside of the door. Now measure and cut the connecting bar to the required length.

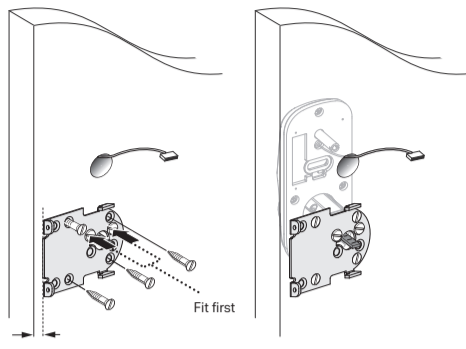
**Warning:** The projection of the connecting bar is important to ensure the lock works correctly, and may differ depending on the Nightlatch. If this is cut too short, it cannot be replaced.

## 5 Mount External Keypad and Mounting Plate

Use the template provided to choose correct screw length according to your door thickness.



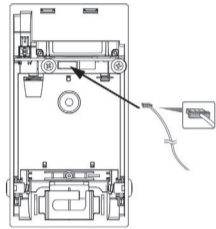
Make sure the front keypad is aligned before fixing the screws tightly. Now fix the mounting plate onto the door. Don't overtighten the screws, as this may cause the lock to bind and not function smoothly.



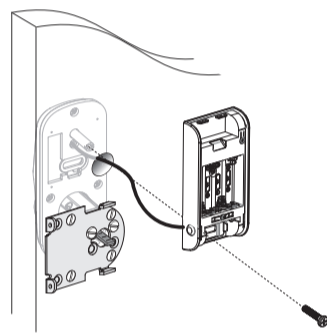
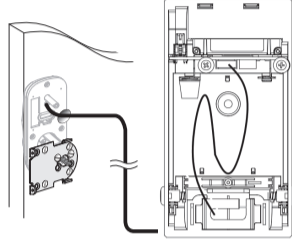
**Note:** For a new Nightlatch, please refer to separate latch mounting instructions for specific retaining screw hole pattern.

## 6 Secure Battery Pack

Connect the cable to the battery pack.

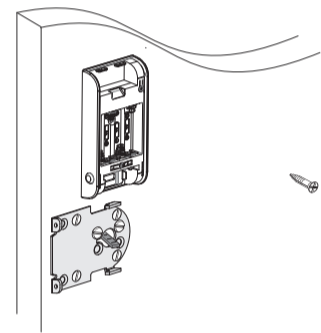


Feed the cable through the slot and then, being careful not to overlap it, zig-zag any excess cable behind the battery pack.



Make sure battery back is square with the door.

Screw into boss.



Fix screw to completely secure battery pack.

## 9 Connecting with the Yale Home App

The Smart Latch 2 comes with the Yale Home App module to allow users to connect your lock with the Yale Home App to achieve a smart locking solution. Once you insert the module and batteries, the lock will be ready to pair with the Yale Home App.

### Inserting the Yale Home App Module

Step	Icon	Description
Remove inside cover		Press the two release buttons on the side of the battery pack and remove cover
Remove a battery from the lock		Remove any of the batteries to cut power to the lock
Insert the module		The module has 8 pins that are plugged into the small black connector above the batteries on the top left of the lock
Insert all batteries		Reinsert all batteries into the lock

**NOTE:** TO ENABLE MOBILE APP FUNCTIONALITY WE HIGHLY RECOMMEND TO CONNECT YOUR LOCK WITH YALE HOME APP IMMEDIATELY AFTER SETTING UP THE MASTER CODE.

For security reason when the lock get registered with Yale Home App, the lock enables 'Home App mode' and preventing the user to register the credentials from keypad (such as: add / remove user code / key tag except the master code). All existing credentials (user code / key tag) will be erased as initialisation except the master code. It is **HIGHLY RECOMMENDED** to register the credentials through Yale Home App only.'

### Yale Home App

Download the Yale Home App from the Google Play Store or Apple App Store.

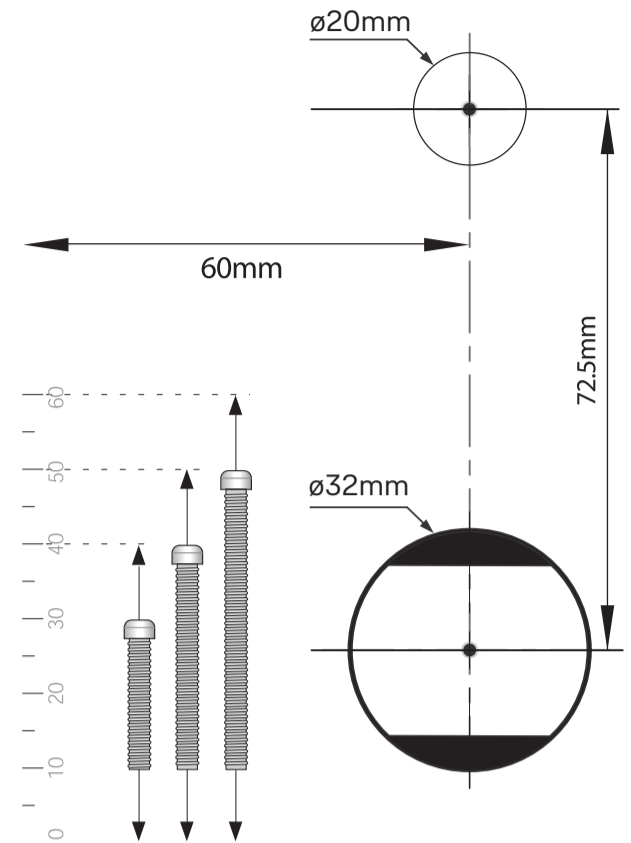
Scan the below QR code to view the **Handy Hints and Tips**.



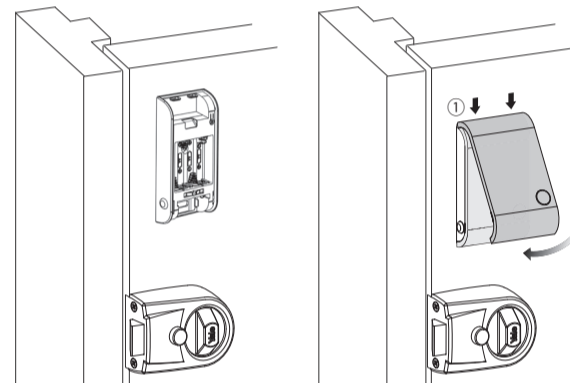
## 7 Nightlatch Installation

Finish the installation of your nightlatch using the mounting instructions.

### Door Template



## 8 Insert Batteries and Close the Cover



\*Nightlatch shown is for illustration only and may not be available.

## 10 Removing the Yale Home App module

Removing the Yale Home App module will remove all access to features available in the Yale Home App. You may want to remove the Yale Home App module from the lock if you would like to move it into another lock.

Step	Icon	Description
Remove inside cover		Press the two release buttons on the side of the battery pack and remove cover
Remove a battery from the lock		Remove any of the batteries to cut power to the lock
Remove the module		The module is situated in the top left corner above the batteries. It can be unplugged by pulling it out

## 11 Check Points after Installation

- Make sure to leave the door open when registering your PIN because you may accidentally lock the door while trying to register or change your PIN code.
- Touch the keypad with your palm to wake up the keypad.
- Enter a PIN code 123456 and enter \* button or touch the keypad with your palm to open the door.
- Turn the thumbturn several times to retract the latchbolt.
- The thumbturn will not retract the latchbolt after few seconds.  
PLEASE NOTE: Remember to change your master code after installation.



To avoid any possibility of being locked out, do not close the door until a PIN code has been successfully registered to allow access.