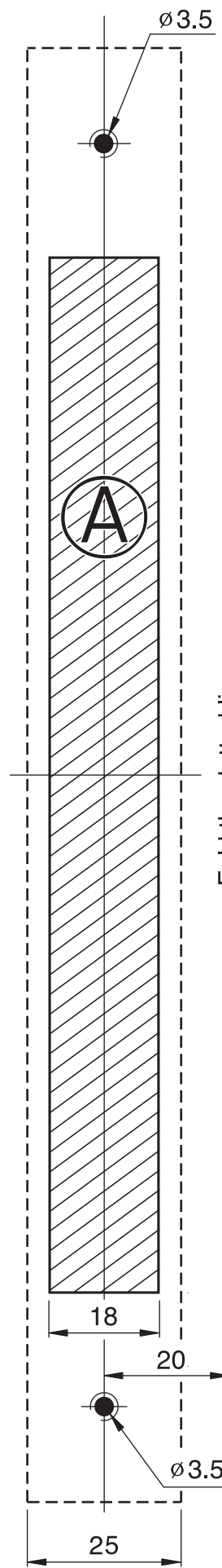
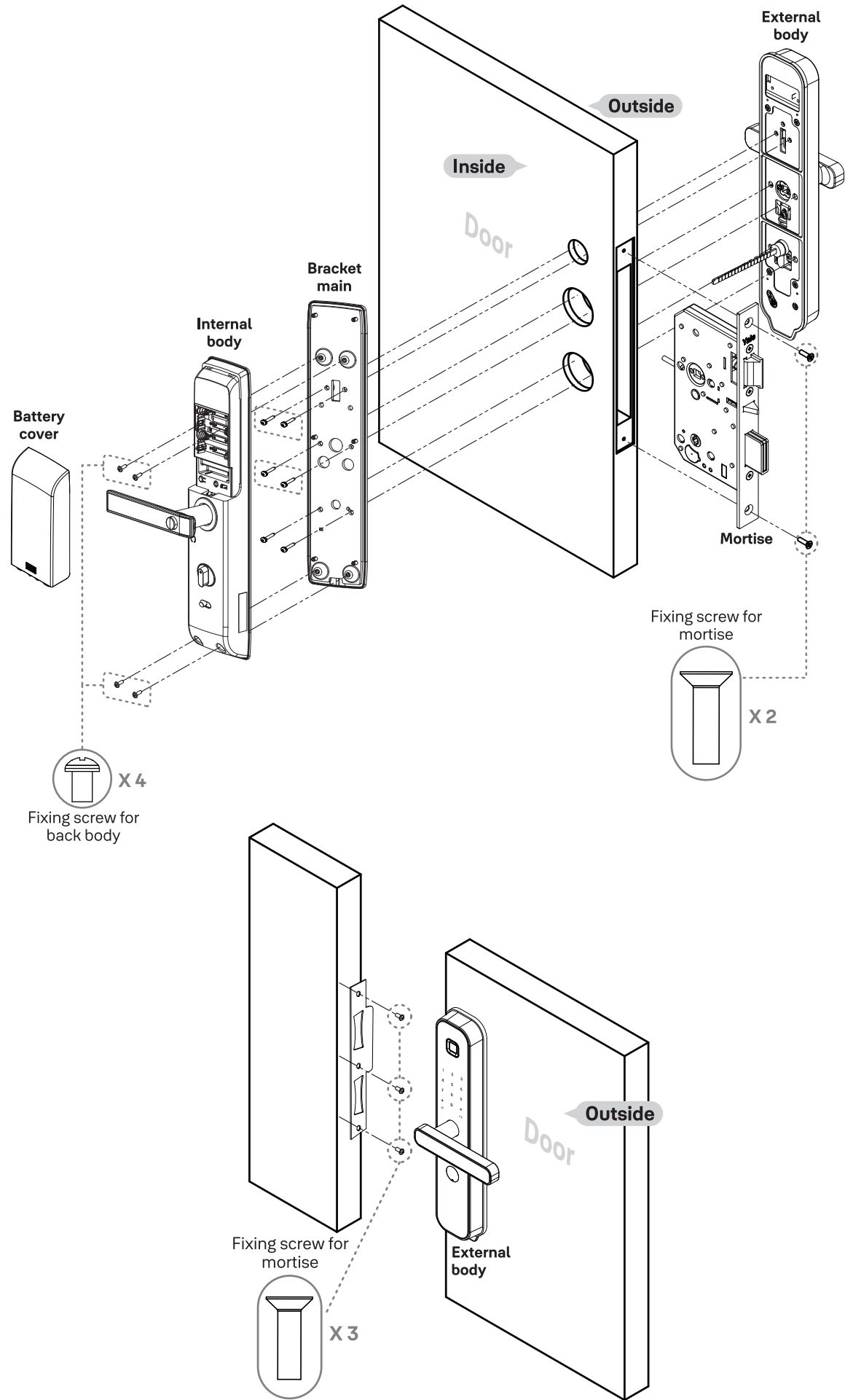


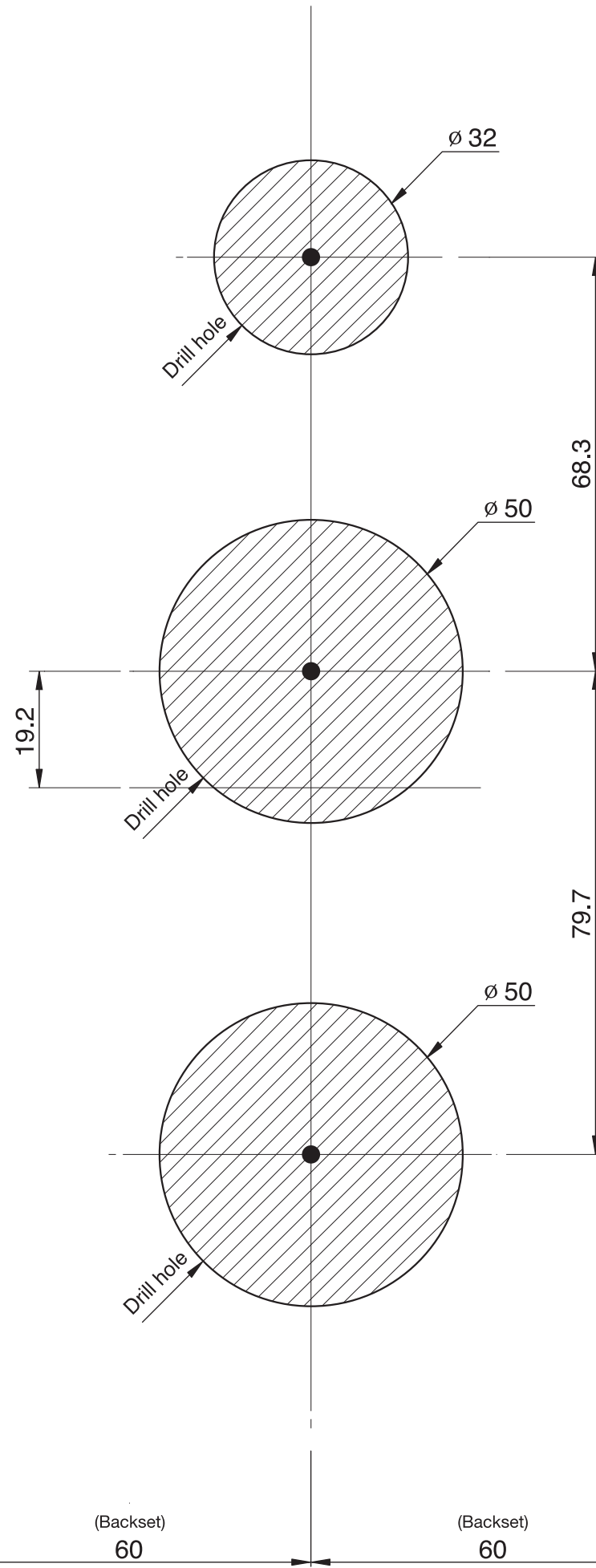
Installation View

Right handed door

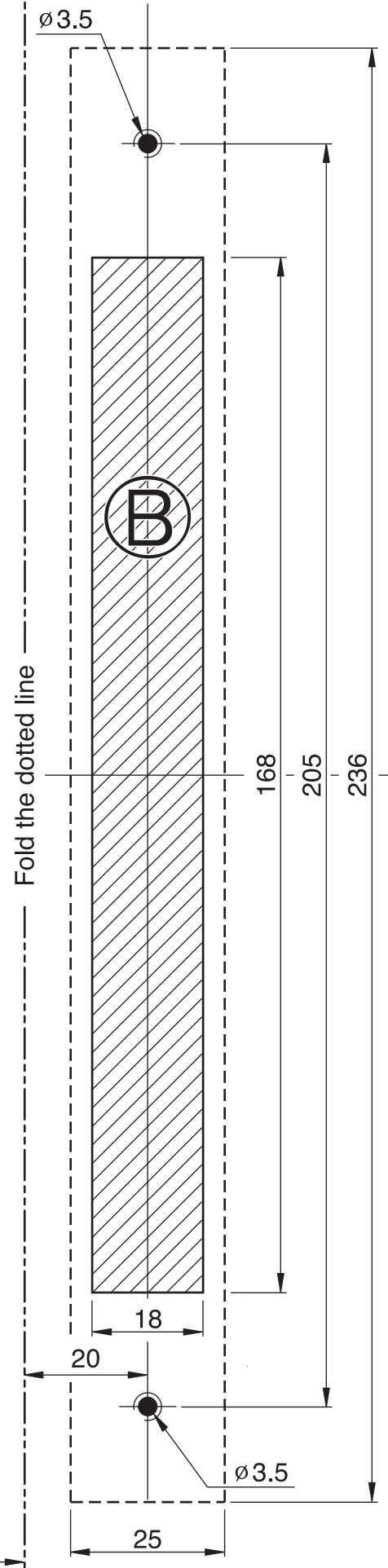
* Insert all batteries by checking the  connector.



Fold the dotted line



Caution
Depending on your door, some modifications might be required.



Fold the dotted line

Caution
This template is based on 40mm thickness door.

40mm~95mm thickness of the door 60mm backset

Caution
A and B shaded parts indicate the hole for mortise installation. If necessary, door modification if required accordingly.

1 Package check

*From the three types of lever drive bar shafts, please select the appropriate shaft for the thickness of the door and combine it with the spring as shown in the picture.

Length from mortise center to surface of outside of door	Select lever drive bar	Outcome
~33mm	41mm	
34mm~45mm	53mm	
46mm~55mm	65mm	
Spring with selected lever drive bar	Spring	

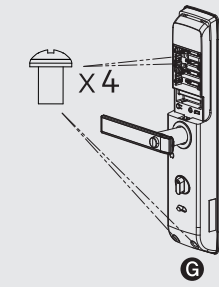
AA Battery X4

* According to model type, External and Internal body design can be different.

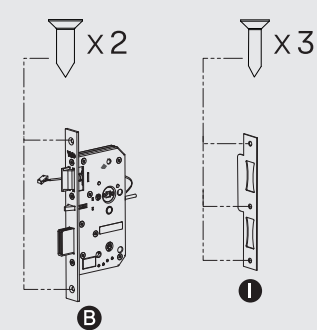
Fixing screw - for bracket main

Door Thickness	Fixing screw	Door Thickness	Fixing screw
40~45mm	X 6	75~85mm	X 6
45~55mm	X 6	85~95mm	X 6
55~65mm	X 6	95~105mm (Not Recommended)	X 6
65~75mm	X 6		

Fixing screws for Internal body



Fixing screws for mortise (2pcs) and strike (3pcs)

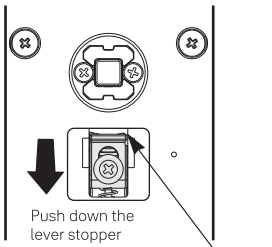


2 Determine door type

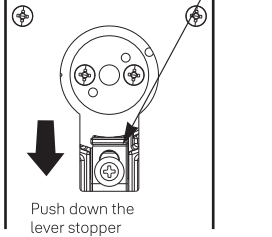
How to change lever direction!

Make sure to grab lever for safety reason when you change the direction

A External body



G Internal body



1 Right handed door

Determine lever direction

Click Click

Check the mortise latch

1 plastic hub block

2 screws

2 screws must be located inside of the door. Take off the plastic hub block before mortise installation.

Other side view

2 Left handed door

Determine lever direction

Click Click

How to set the mortise latch

Turn Push

1 plastic hub block

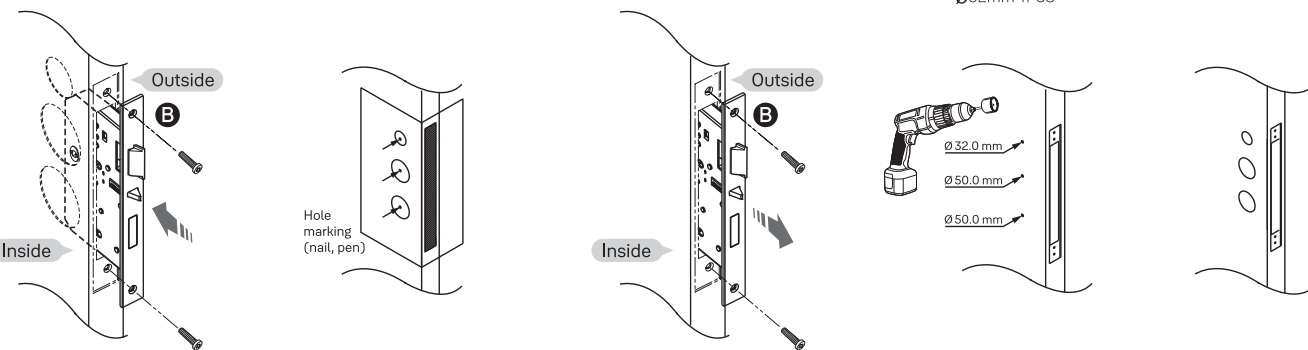
2 screws

2 screws must be located inside of the door. Take off the plastic hub block before mortise installation.

Push by tool

3 Hole cutting

Put mortise into the door → Fold the template and mark the drilling points → Remove the mortise (Remove the mortise when drilling otherwise template can be damaged.) → Drilling holes: Ø50mm 2PCS, Ø32mm 1PCS → Check the hole size and position



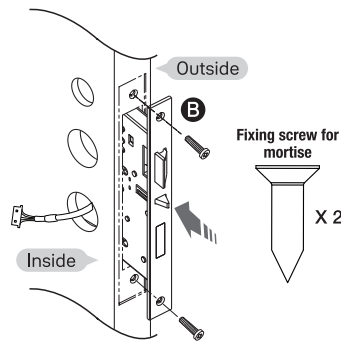
4 Installation

1 Mortise installation

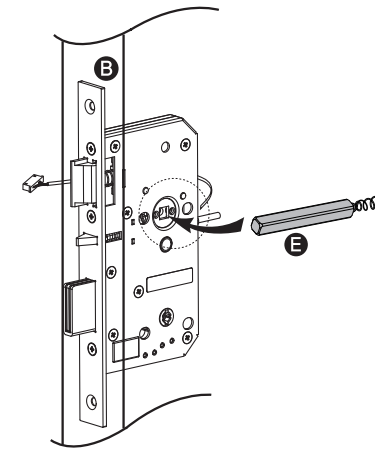
Secure 2 mortise faceplate screws after inserting the mortise.

Caution

- Deadbolt should be retracted.
- Mortise wire should be routed to the inside of the door.



2 Inserting the external lever drive bar

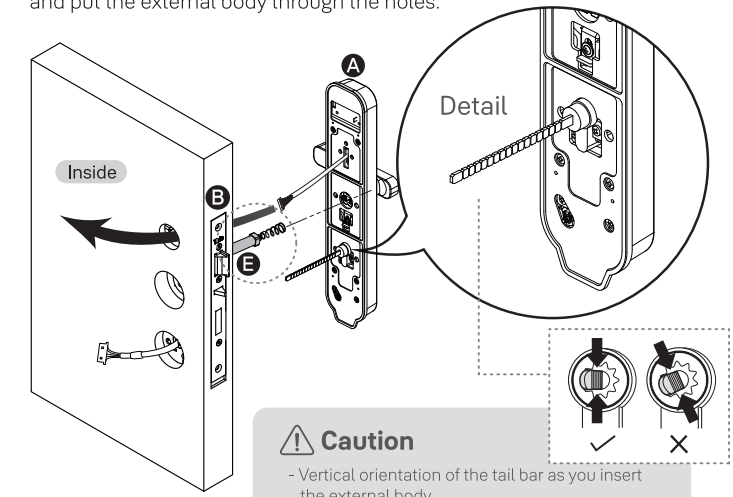


Caution

When installing the external body, please insert the external lever drive bar with spring into mortise(lock case) first as picture above.

3 External Body Installation

Make sure the position of the lever according to the door and put the external body through the holes.

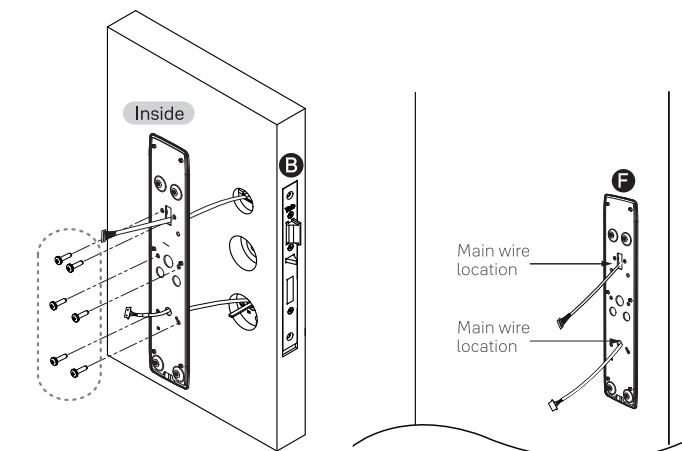


Caution

- Vertical orientation of the tail bar as you insert the external body.
- Be cautious when routing the cable.

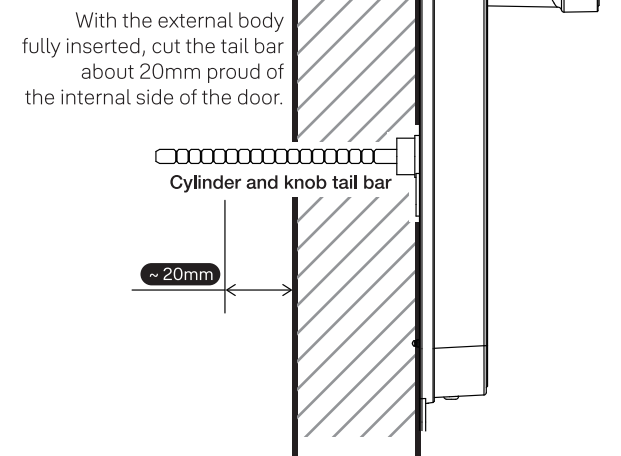
4 Installing Main bracket

Install and secure using 6 screws through the main bracket into the external body (Wire should be routed through the main bracket.)

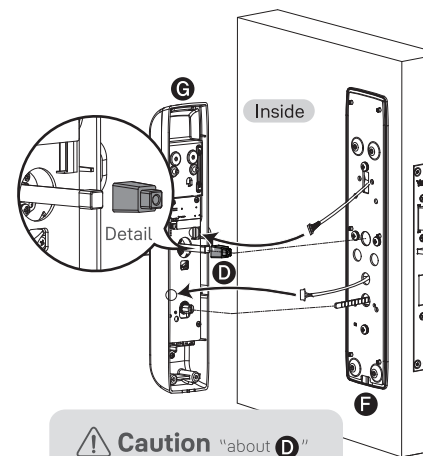


5 Cylinder Shaft : cutting the Cylinder and knob tail bar

According to the door thickness, cut the cylinder and knob tail bar.



6 Cable and Tail bar installation



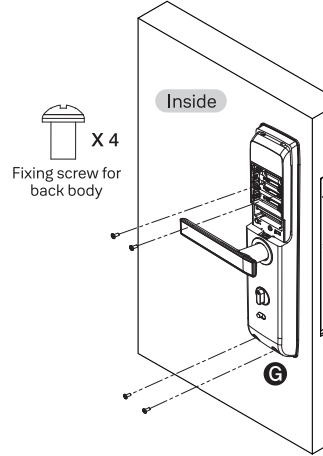
Caution "about D"

Length from mortise center to surface of inside of door.

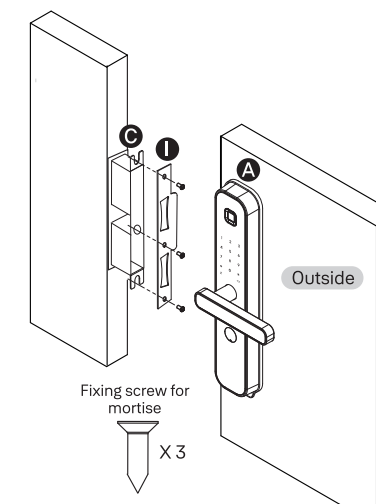
- 30~40mm 1ea
- 40~50mm 2ea

7 Internal body installation

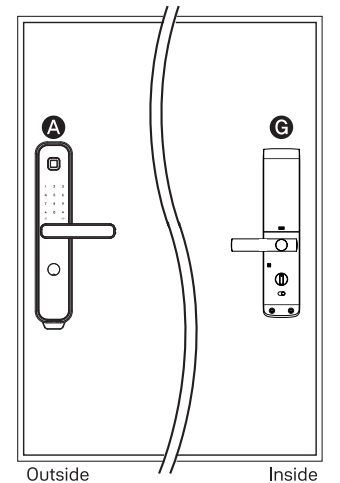
Install and secure using 4 screws through the Internal body into the main bracket.



8 Strike installation



9 After installation



Check points for Installer

1. Creating a Advanced PIN Code must be performed upon installation or after resetting the lock to factory default. Programming and use of lock is not possible until this step has been successfully completed.
2. Check opening of the lock after the key registration.
3. Check automatic locking function. After closing the door, it gets auto locked within 5 seconds.
4. Explain setting of Safe handles to user.

Check points for Owner

1. Re-register your Advanced PIN Code.
2. Re-register your own User PIN Code.
3. Read the User Manual before further use.
4. Register your own Keys.
5. Understand the Emergency Power Supply feature.
6. Understand the forced lock mode.

Enable Automatic Lock

Release the button to set automatic lock mode on the main-body (after opening the battery cover)

Enable Manual Lock

Press the button to set manual lock mode on the main-body.