

The global leader in
door opening solutions

McKinney Concealed Hinges - MK40A Series



Available Finishes:

- Satin Chrome (PN# MK67002)
- Matte Black (PN# MK67003)
- Additional finishes on request

Specifications

- Model number: MK40A (Covers included)
- Base material: Zinc alloy
- Overall hinge length: 115mm (4.53")
- Hinge width: 23mm (.91")
- Non-handed
- Opening angle: 180 degrees
- 3-Dimensional adjustability:
 - Height +/- 1.5 mm; side +/- 1.5 mm; and depth +/- 1 mm
- For wood or hollow metal doors with wood or metal frames

Overview

Refined and minimal, the McKinney Concealed Hinges feature 3-Dimension adjustability for easy installation and door alteration. The snap-on covers conceal screws for a clean aesthetic.

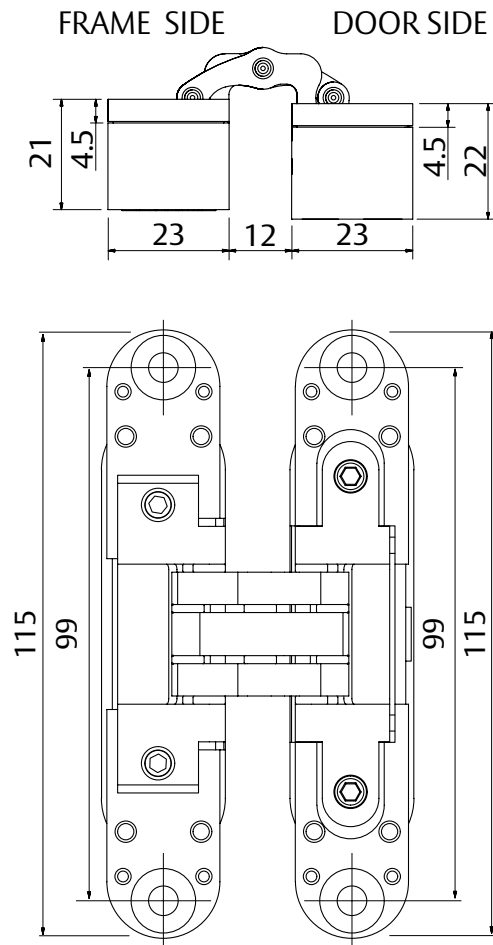
Hinge Capacity

Door thickness minimum: 1-1/4"

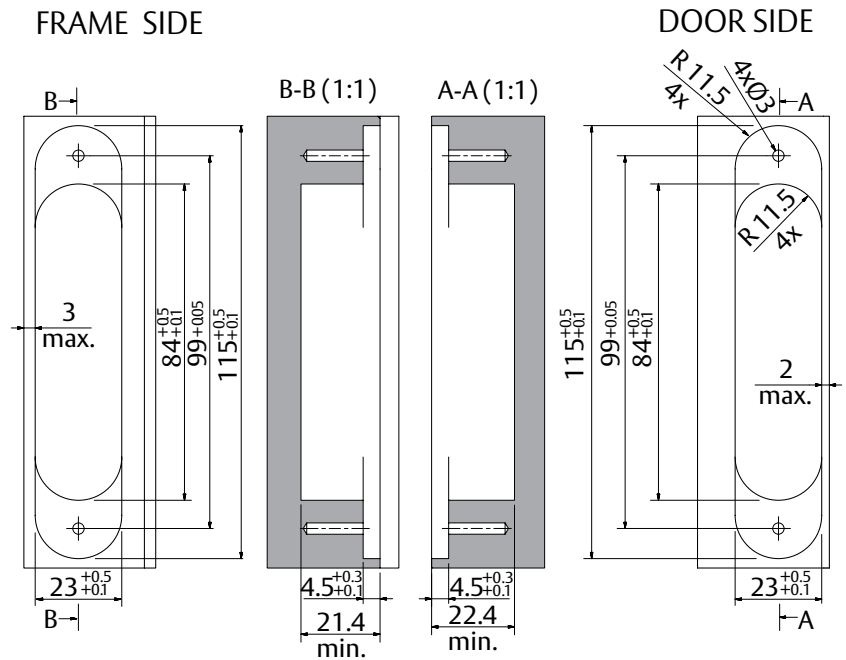
Number of Hinges	Door Width			
	32"	36"	42"	48"
2	92 lbs	88 lbs	72 lbs	66 lbs
3	105 lbs	99 lbs	81 lbs	74 lbs
4	116 lbs	110 lbs	86 lbs	79 lbs

McKinney Concealed Hinges - MK40A Series

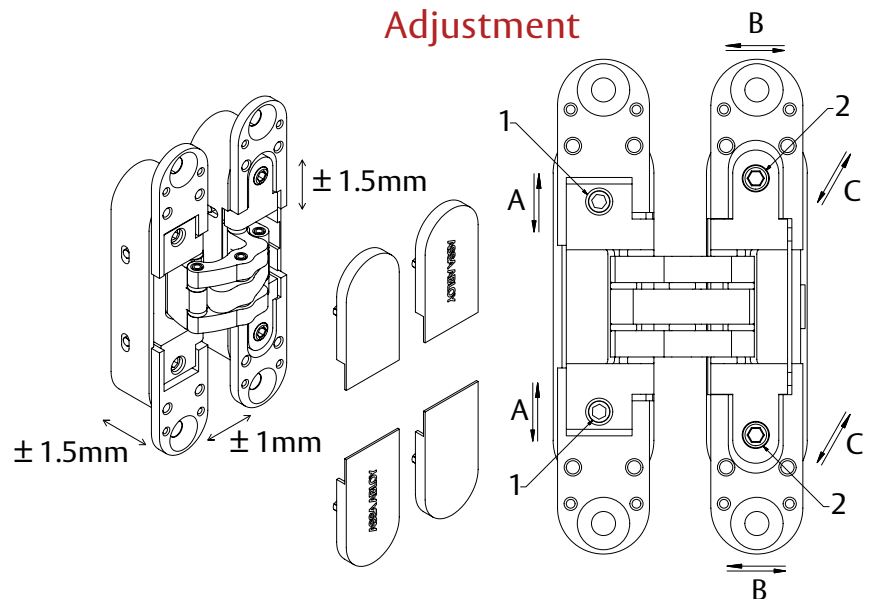
Hinge Dimensions (millimeters)



Milling Dimensions (millimeters)



Adjustment



ASSA ABLOY
225 Episcopal Road
Berlin, CT 06037
Phone: (800) 346-7707 • Fax: (800) 541-1073
www.assaabloydooraccessories.us

McKinney is a brand associated with ASSA ABLOY Accessories and Door Controls Group, Inc., an ASSA ABLOY Group company. Copyright © 2018, ASSA ABLOY Accessories and Door Controls Group, Inc. All rights reserved. Reproduction in whole or in part without the express written permission of ASSA ABLOY Accessories and Door Controls Group, Inc. is prohibited.