



Concealed Door Closers



ASSA ABLOY

ASSA ABLOY, the global leader
in door opening solutions

Superior performance and reliability

Lockwood high security products are known and highly respected throughout Australasia. Every item in our wide product range represents top quality and superior performance.

Our extensive experience and expertise combined with customer-oriented research and development mean that we have a wide range of solutions for the varying demands of different door environments.

Operation

The operation of the door closers is based on a hydraulically controlled CAM-action mechanism. Inside the closer, oil is used to control the closing and latching speeds. The adjustable valves enable the adjustment of the speeds and features.

Pressure relief valve is the standard feature to protect the door from abuse and ensure reliable operation in demanding conditions.

Concealed Door Closer

Door closer and rail system are mounted inside the door leaf and frame. When the door is open the only visible part is the arm. After installation it is easy to adjust the closing force as well as closing and latching speed. Non-handed closer and arm system enable the use of the same products in left and right handed doors.

Adjustable Closing Force

Lockwood 8014 and 8015 door closers are equipped with adjustable spring power which ensures pre-setting of the spring.

Due to adjustable spring power, the same door closer can be used in various applications

Closer Selection Chart

Door height should be a maximum of 2340mm

Recommended Door Width	Door Weight (kg) Max	Closer PowerSize	ClosingTorque (Nm)
750	20	1	9 - <13
850	40	2	13 - <18
950	60	3	18 - <26
1100	80	4	26 - <37
1250	100	5	37 - <54

Adjustment Valves

Closing speed (Valve C): The closing speed can be adjusted 120-7 degrees.

Latching speed (Valve L):
The latching speed can be adjusted 7-0 degrees.

Mechanical Back Check

A brake affects door movement from 80 degrees to fully open and protects the door by preventing it from being pulled open by the wind.

FIRE RATED

The Lockwood Concealed Door Closers have been successfully fire tested up to 2 hours on fire door assemblies in accordance with Australian Standard AS1905.1:2005 - Part 1: Fire Resistant Doorsets.



Lockwood Concealed Door Closers conform to the requirements of AS1428 Clause 13.5.3 (e) Design for Access and Mobility.

Concealed Door Closers

8014

Lockwood 8014 is a non handed cam action concealed door closer for heavy duty use. Thanks to the cam construction it is extremely light to open but strong enough to close the door in every situation. The Lockwood 8014 can be adjusted to meet the requirements of the light opening resistance.

Major Features

- Certified to EN1154
- Adjustable closing force size EN 1-4
- Maximum door width 1100mm
- Maximum door weight 80kgs
- Separate adjusting valves for closing and latching speed, mechanical BC
- Pressure relief valve to protect against abuse
- Wide operating temperature range: -15 to 45°C
- Anodized aluminium door closer body
- Maximum opening angle 120°
- Minimum door thickness 40mm
- For fire door applications add 2516-153 opening damper

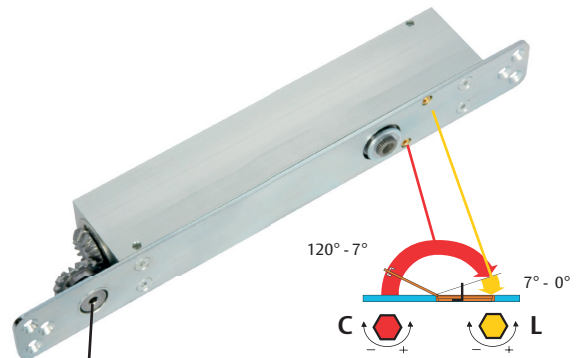
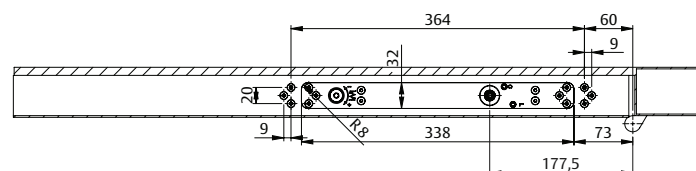
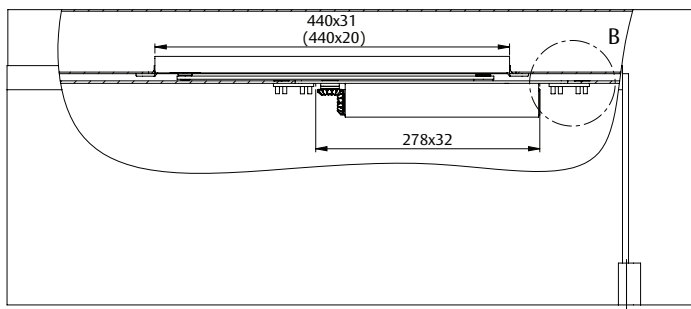
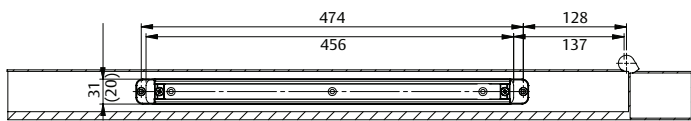


FIRE RATED

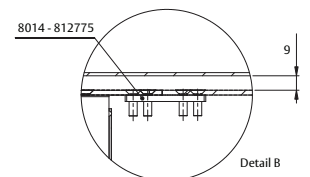
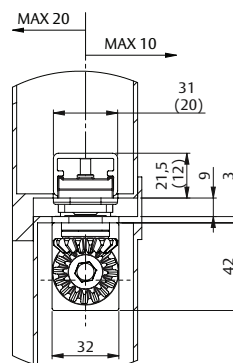
The Lockwood Concealed Door Closers have been successfully fire tested up to 2 hours on fire door assemblies in accordance with Australian Standard AS1905.1:2005 - Part 1: Fire Resistant Doorsets.

Part Numbers

8014SIL Silver



Adjustment



Concealed Door Closers 8015

Lockwood 8015 is a non-handed cam action door closer and therefore very easy to install. Thanks to the cam construction it is extremely light to open but strong enough to close heavy doors. Lockwood 8015 is suitable for external, internal and heavy duty doors.

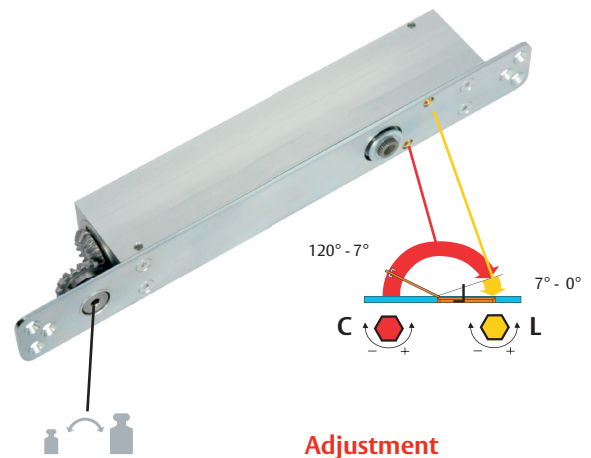
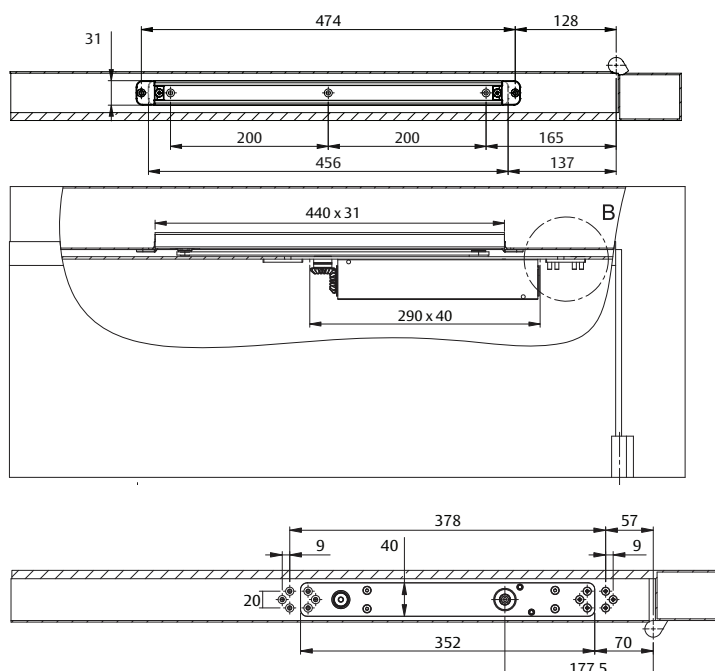
Major Features

- Certified to EN1154
- Adjustable closing force size EN 1-5
- Maximum door width 1250mm
- Maximum door weight 100kgs
- Separate adjusting valves for closing and latching speed, mechanical BC
- Pressure relief valve to protect against abuse
- Wide operating temperature range: -15 to 45°C
- Anodized aluminium door closer body
- Max opening angle 120°
- Minimum door thickness 48mm

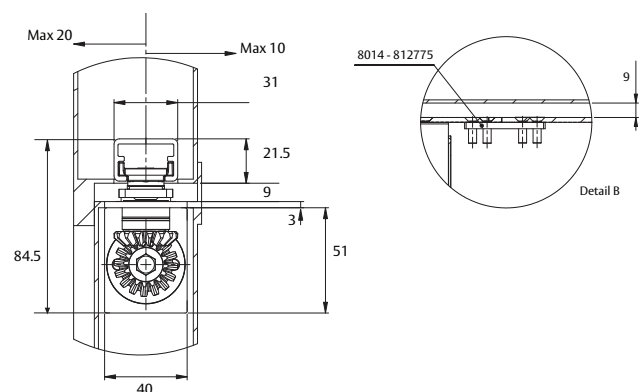


Part Numbers

8015SIL Silver



Adjustment



Concealed Door Closers

Accessories

Sliding arms

Sliding arm 8014 - 893SIL
Measurements: 440 x 31 x 21mm



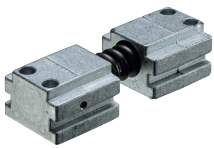
Hold-open device 2516 -152

Adjustable hold-open force
Max. hold-open angle -110°



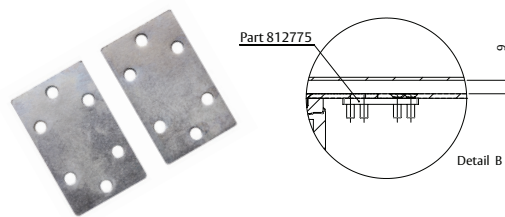
Opening damper

Opening damper 2516 - 153
Max. damping angle -110°
Designed to brake the door before hitting the door stopper
Does not replace the mechanical door stopper
Required for fire door applications



8014 - 812775 mounting plates

Can be used with 8014 and 8015 door closer
To be used in profile doors.



ASSA ABLOY is the global leader in door opening solutions, dedicated to satisfying end-user needs for security, safety and convenience



ASSA ABLOY



Lockwood is the leading brand in the Australian locking industry. With an established reputation for high quality products, this iconic brand provides a wide range of locking solutions to residential housing, commercial building and industrial application markets. Lockwood is supported by an extensive distribution and after-sales support network. Our customers include retailers, architects, trade and industrial personnel, locksmiths and security dealers.

ASSA ABLOY

ASSA ABLOY is the global leader in door opening solutions, dedicated to satisfying end-user needs for security, safety and convenience.

ASSA ABLOY is represented in all major regions, in both mature and emerging markets, with leading positions in Australia, Europe and North America.

As the world's leading lock group, ASSA ABLOY offers a more complete product range of door opening solutions than any other company in the market.

Australia
1300 LOCK UP (1300 562 587)
lockweb.com.au

New Zealand
Telephone +64 9415 7111
assaabloy.co.nz

ASSA ABLOY Australia Pty Ltd
235 Huntingdale Road
Oakleigh, Victoria, 3166
Australia

info.au@assaabloy.com
assaabloy.com.au

ASSA ABLOY New Zealand Ltd
6 Armstrong Road
Albany, North Shore City, 0632
New Zealand

info.nz@assaabloy.com
assaabloy.co.nz

