

HENDERSON

# HENDERSON PRODUCT CATALOGUE

## Sliding and Folding Door Hardware



**ASSA ABLOY**

The global leader in  
door opening solutions.

## EXTERIOR FOLDING SYSTEMS

### Section Index and General Guide

Select system for your exterior folding application.	Residential	Commercial	Industrial	Max. Door	Product	Data Sheet
<b>APPLICATION</b>						
<i>Residential</i>						
For doors and windows	■			33-40kg	Timbafold	E20
<i>Commercial</i>						
For Exterior Residential and Commercial folding doors and windows		■		45kg	Securefold 45 - Non-Mortice	E40
For Exterior Residential and Commercial folding doors and windows		■		50kg	Securefold 50 - Mortice	E50
For Exterior Residential and Commercial folding doors and windows		■		50kg	Securefold 50 - Radius Mort.	E60
For Exterior Residential and Commercial folding doors		■		65kg	Pacer Exterior Endfold	*
For Exterior Residential and Commercial folding doors		■		100kg	Securefold 100 - Mortice	E80
For Exterior Residential and Commercial folding doors		■		100kg	Securefold 100 - Non-Mort.	E90
For Exterior Residential and Commercial folding doors		■		100kg	Securefold 100 - Radius Mor.	E100
For Exterior Residential, Commercial or Industrial folding doors		■		150kg	Securefold 150	
<i>Industrial</i>						
For Exterior Industrial folding doors			■	35kg	Tangent 290	
For Exterior Industrial folding doors			■	70kg	Tangent 301	
For Exterior Industrial folding doors			■	80kg	Tangent 305	

\* Please contact either your ASSA ABLOY Representative or our technical sales team for further information.

HENDERSON

## TIMBAFOLD

For top hung exterior folding doors and windows. 33-40kg each leaf.

### APPLICATION

- For residential folding doors and windows where waterproofing of the opening is required

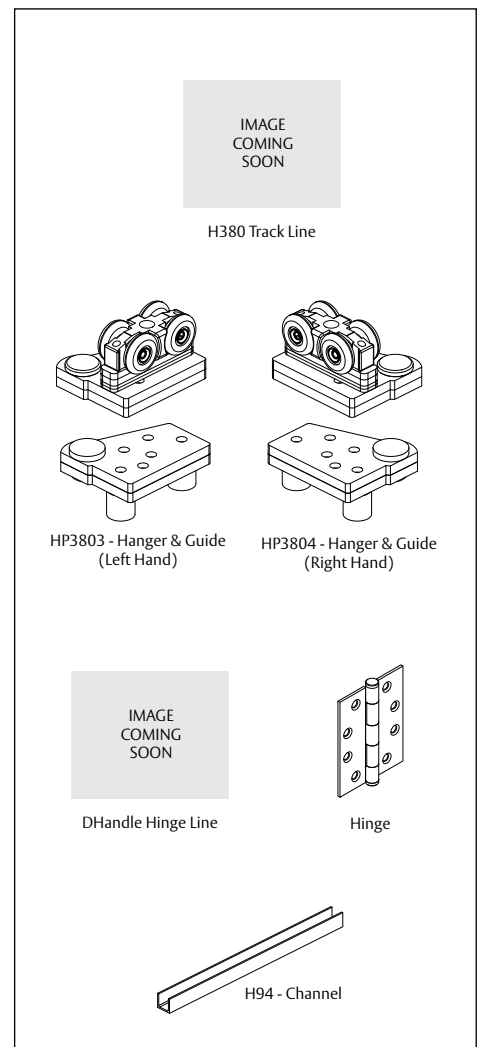
### DOOR SPECIFICATION

Track System:	Timbafold (Window)	Timbafold (Door)
For Individual Leaves:		
Max Panel Height	2100mm	2700mm
Max Panel Weight	30kg (or 20kg for units with a swing sash)	40kg (or 33kg for units with a swing door)
Max Panel Width	760mm (or 660mm for free swing sash)	810mm
Min Panel Thickness	35-40mm	35-40mm
Max Number of Panels	6 each direction	6 each direction

Folding units of up to six leaves can be hinged to post.  
Floating units consisting of four or six panels.

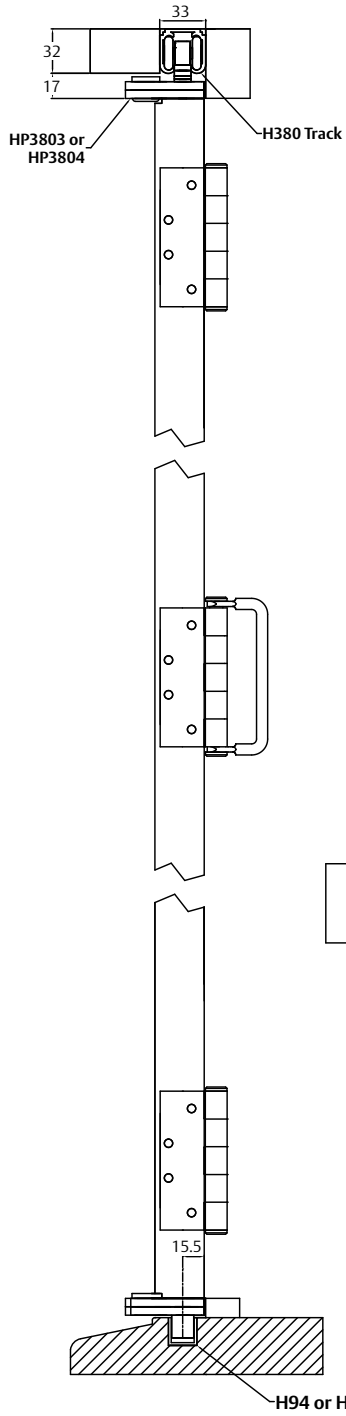
### HARDWARE SPECIFICATION

<b>Track</b>	<b>H380</b>	Aluminium mill (2000, 3000, 4000 & 6000mm lengths) Soffit fix spacing 600mm centres (maximum)
<b>Hanger Sets</b>	<b>HP3801</b>	Left hand - window application (incl. hanger and guide)
	<b>HP3802</b>	Right hand - window application (incl. hanger and guide)
	<b>HP3803</b>	Left hand - door application (incl. hanger and guide)
	<b>HP3804</b>	Right hand - door application (incl. hanger and guide)
<b>Hinge Sets (to suit 2 panels)</b>	<b>HP75*</b>	Window hinge pack, 75 x 63mm (includes 5 hinges and 1 hinge handle)
	<b>HP100*</b>	Door hinge pack, 100 x 75mm (includes 5 hinges and 1 hinge handle)
*Select finish: Stainless steel (SS), polished brass (PB)		
<b>Channels</b>	<b>H94X</b>	Aluminium (2000, 3000, 4000 & 6000mm lengths)
	<b>H94</b>	Brass (4000 & 6000mm lengths)
	<b>H94P</b>	Polypropylene (2000, 3000, 4000 & 6000mm lengths)
<b>Accessories</b>		
Individual Hinges	<b>H75X63FP*</b>	Window hinge, 75 x 63mm fixed pin
	<b>H75X63DH*</b>	Window hinge handle, 75 x 63mm
	<b>H100X75FP*</b>	Door hinge, 100 x 75mm fixed pin
	<b>H100X75DH*</b>	Door hinge handle, 100 x 75mm
*Select finish: Stainless steel (SS), polished brass (PB)		

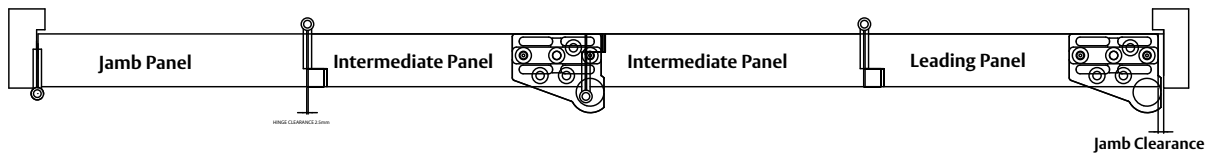
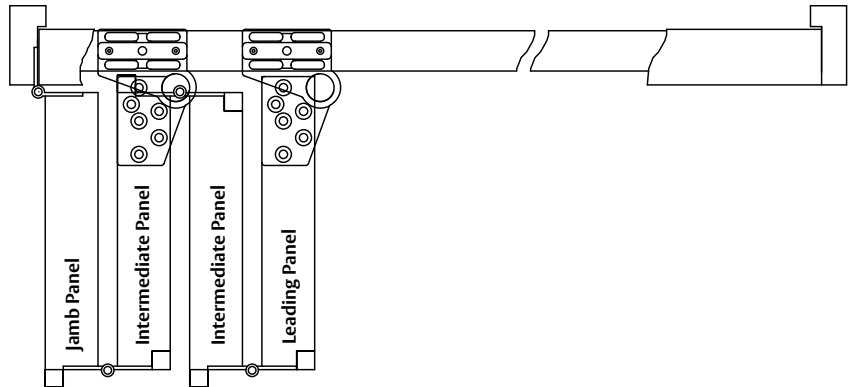
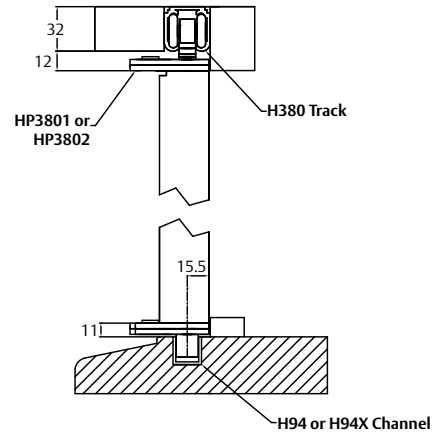


HENDERSON

## Door Application



## Window Application



HENDERSON



## SECUREFOLD 45 (non-mortice)

For top hung exterior folding timber and aluminium doors.  
Max 45kg each leaf.

### APPLICATION

- Manufactured from high grade 316 stainless steel and cutting edge polymers with anodised aluminium track
- Ideal for coastal environments or areas requiring a high level of corrosion resistance
- Designed for external outward opening timber and aluminium doors up to 45kg
- Ideal for residential or commercial applications
- Fantastic resistance to the weather. System can be customised to suit various applications

### DOOR SPECIFICATION

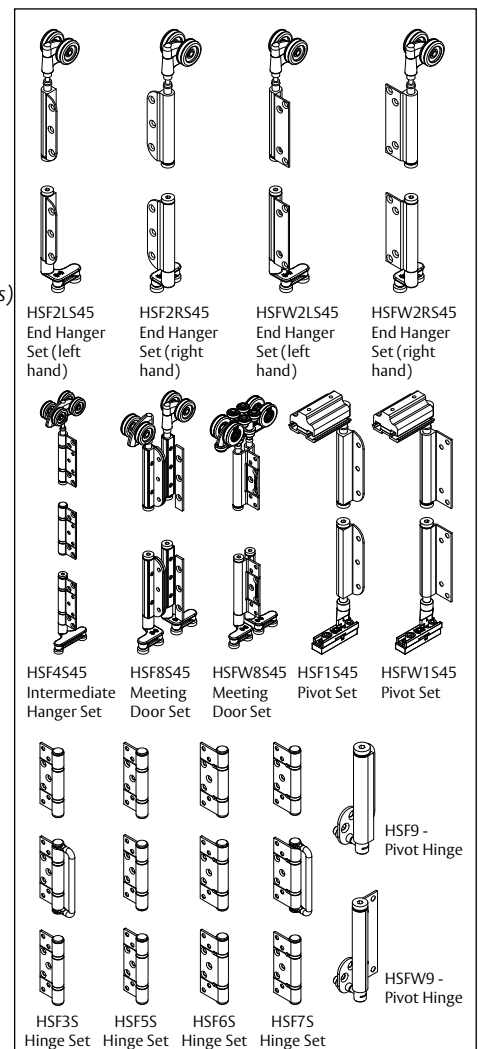
**Track System**                      **Securefold 45**

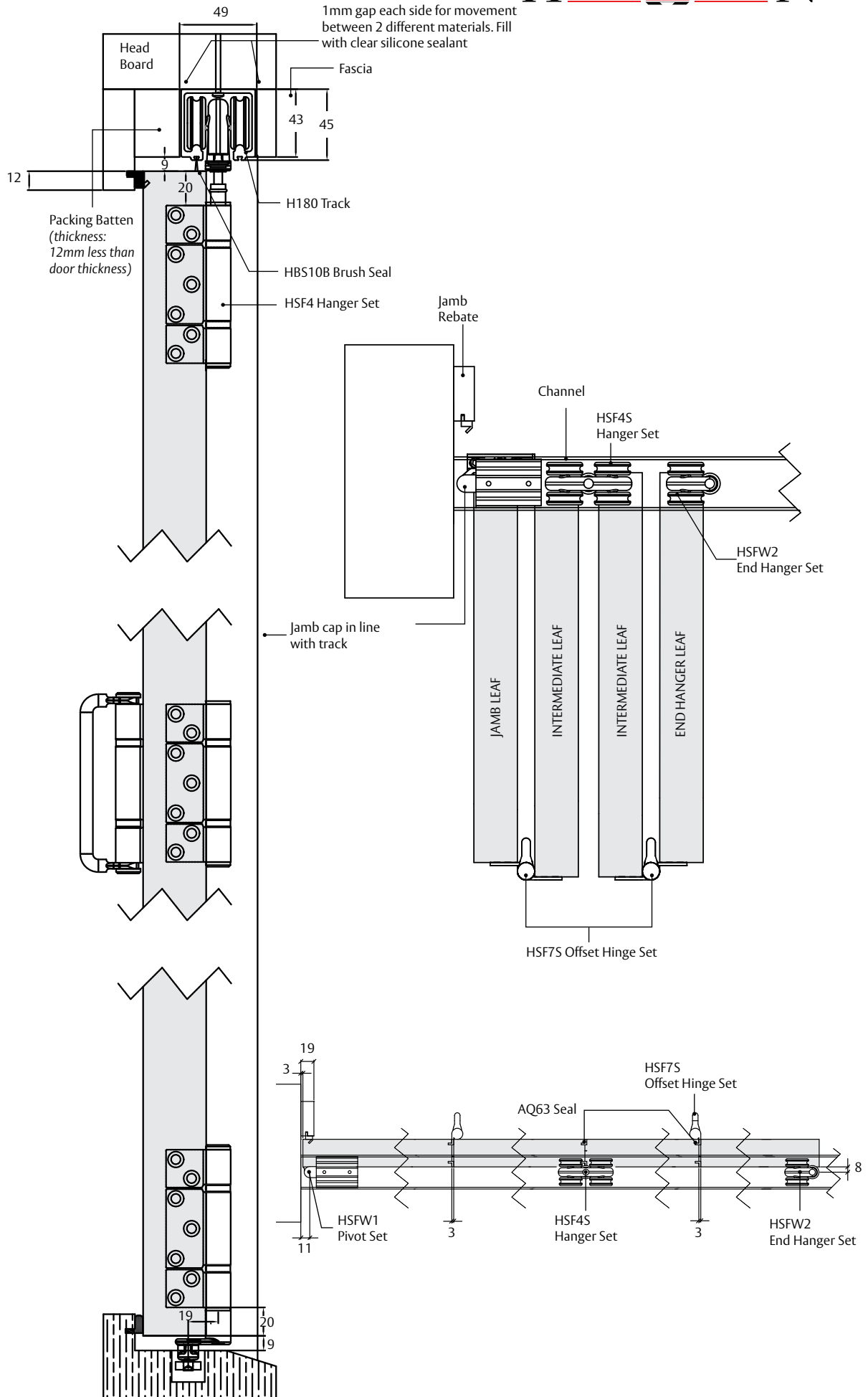
For Individual Door Leaves:

Max Panel Weight	45kg
Max Panel Width	1000mm
Panel Thickness	35-68mm
Max Panel Height	3300mm

### HARDWARE SPECIFICATION

<b>Track</b>	<b>H180</b>	Anodised Aluminium (2000, 3000, 4000 & 6000mm lengths) Soffit fix spacing 900mm centres (maximum)
<b>Hangers</b>	<b>HSF2LS45</b>	End hanger set check in - left hand (incl. hanger, guide and hinge)
	<b>HSF2RS45</b>	End hanger set check in - right hand (incl. hanger, guide and hinge)
	<b>HSFW2LS45</b>	End hanger set non-mortice wrap around - left hand (incl. hanger and guide)
	<b>HSFW2RS45</b>	End hanger set non-mortice wrap around - right hand (incl. hanger and guide)
	<b>HSF4S45</b>	Intermediate hanger set (includes hanger, guide and hinge)
	<b>HSF8S45</b>	Meeting door set - rebated (incl. 2 hangers and 2 guides)
	<b>HSFW8S45</b>	Non-mortice meeting door set - non-mortice for square cut doors (includes 2 hangers and 2 guides)
<b>Pivot Sets</b>	<b>HSF1S45</b>	Pivot set check in (incl. top and bottom pivots)
	<b>HSFW1S45</b>	Pivot set non-mortice wrap around (incl. top and bottom pivots)
	<b>HSF9S</b>	Intermediate pivot hinge check in (optional for doors over 2200mm high)
	<b>HSFW9S</b>	Intermediate pivot hinge non-mortice wrap around (optional for doors over 2200mm high)
<b>Hinge Sets</b>	<b>HSF3S</b>	Hinge handle set (incl. 2 hinges and 1 hinge handle)
	<b>HSF5S</b>	Hinge set - inward opening (incl. 3 hinges)
	<b>HSF6S</b>	Offset hinge set - inward opening (incl. 3 offset hinges)
	<b>HSF7S</b>	Offset hinge handle set - outward opening (incl. 2 offset hinges and 1 offset hinge handle)
<b>Channels</b>	<b>H89SS</b>	Stainless steel (2000 & 3000mm length)
	<b>H94X</b>	Aluminium (2000, 3000, 4000 & 6000mm lengths)
	<b>H94</b>	Brass (4000 & 6000mm lengths)
	<b>H94P</b>	Polypropylene (2000, 3000, 4000 & 6000mm lengths)
	<b>H94PSC</b>	Aluminium supporting channel and polypropylene (2000, 3000, 4000 & 6000mm lengths)
<b>Accessories</b>	<b>Flushbolts</b>	
	<b>HSF190S</b>	190mm non locking flushbolt
	<b>HSF190LS</b>	190mm locking flushbolt
	<b>HSF450S</b>	450mm non locking flushbolt
	<b>HSF450LS</b>	450mm locking flushbolt
	<b>HSF600S</b>	600mm non locking flushbolt
<b>HSF600LS</b>	600mm locking flushbolt	





HENDERSON

## SECUREFOLD 50 (mortice)

For top hung exterior folding timber doors. Max 50kg each leaf.

### APPLICATION

- Manufactured from high grade 316 stainless steel and cutting edge polymers with anodised aluminium track
- Ideal for coastal environments or areas requiring a high level of corrosion resistance
- Designed for external outward opening timber doors up to 50kg
- Ideal for residential or commercial applications
- Fantastic resistance to the weather. System can be customised to suit various applications

### DOOR SPECIFICATION

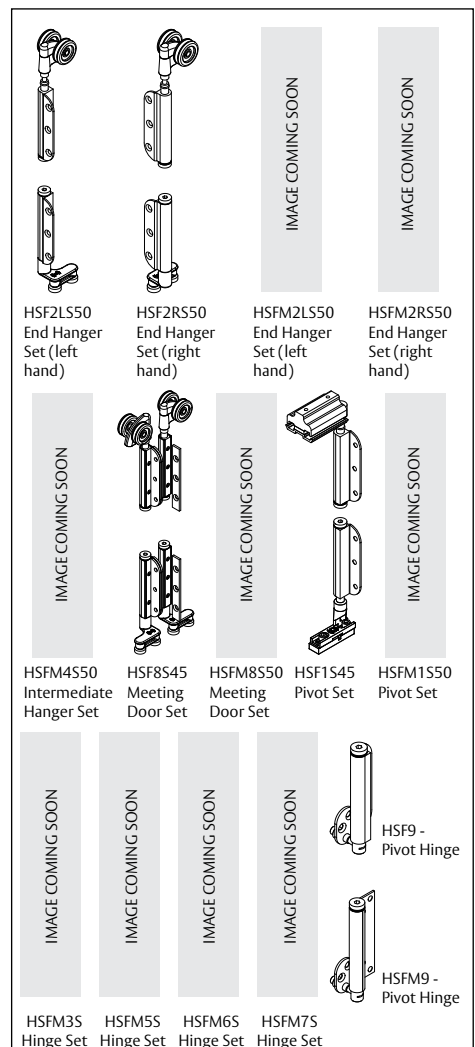
#### Track System **Securefold 50**

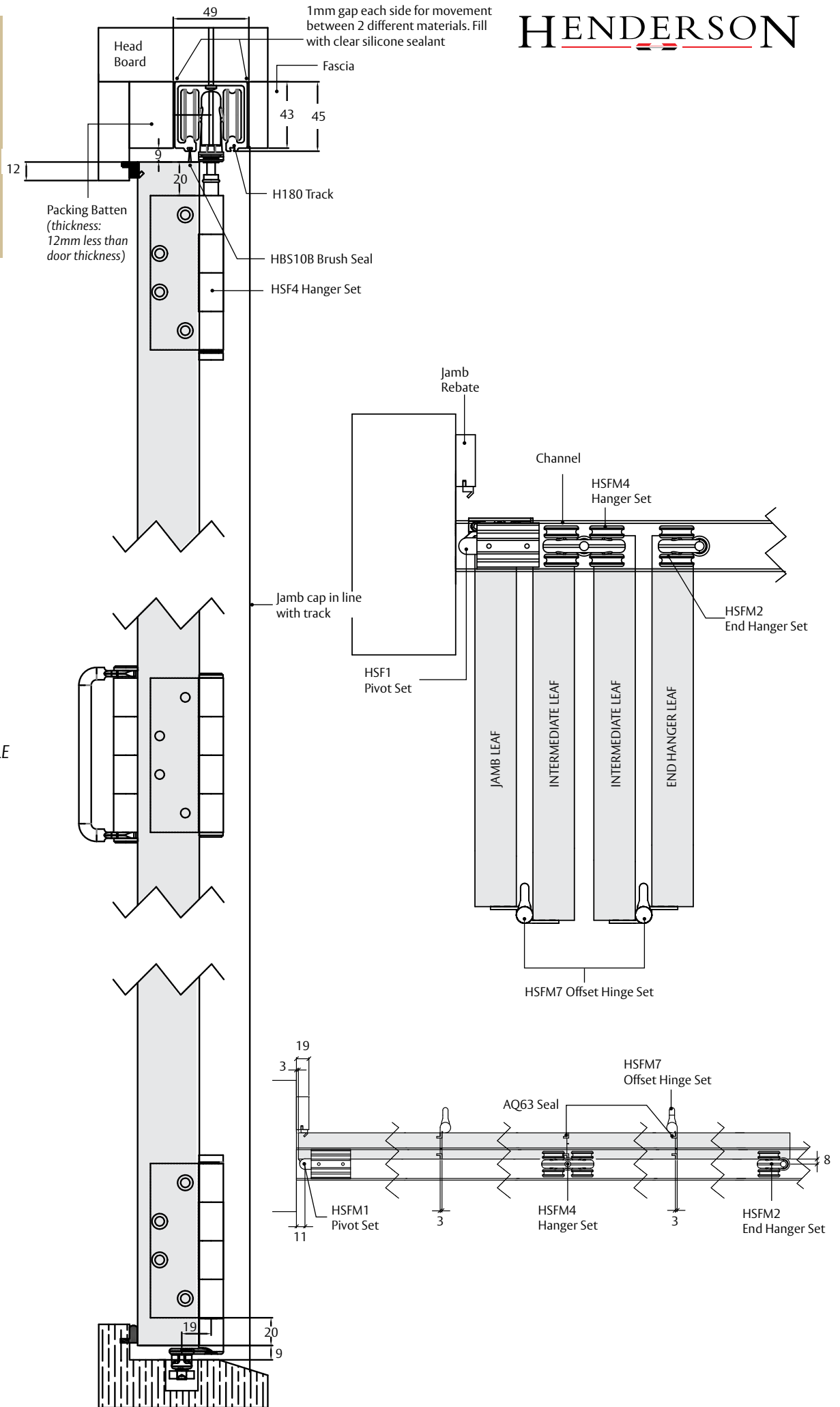
For Individual Door Leaves:

Max Panel Weight	50kg
Max Panel Width	1000mm
Panel Thickness	35-68mm
Max Panel Height	3300mm

### HARDWARE SPECIFICATION

<b>Track</b>	<b>H180</b>	Anodised Aluminium (2000, 3000, 4000 & 6000mm lengths) Soffit fix spacing 900mm centres (maximum)
<b>Hangers</b>	<b>HSF2LS45</b>	End hanger set check in - left hand (incl. hanger, guide and hinge)
	<b>HSF2RS45</b>	End hanger set check in - right hand (incl. hanger, guide and hinge)
	<b>HSFM2LS50</b>	End hanger set mortice wrap around - left hand (incl. hanger and guide)
	<b>HSFM2RS50</b>	End hanger set mortice wrap around - right hand (incl. hanger and guide)
	<b>HSFM4S50</b>	Intermediate hanger set (includes hanger, guide and hinge)
	<b>HSF8S45</b> <b>HSFM8S50</b>	Meeting door set - rebated (incl. 2 hangers and 2 guides) Mortice meeting door set - mortice for square cut doors (includes 2 hangers and 2 guides)
<b>Pivot Sets</b>	<b>HSF1S45</b>	Pivot set check in (incl. top and bottom pivots)
	<b>HSFM1S50</b>	Pivot set mortice wrap around (incl. top and bottom pivots)
	<b>HSF9S</b>	Intermediate pivot hinge check in (optional for doors over 2200mm high)
	<b>HSFM9S</b>	Intermediate pivot hinge mortice wrap around (optional for doors over 2200mm high)
<b>Hinge Sets</b>	<b>HSFM3S</b>	Hinge handle set (incl. 2 hinges and 1 hinge handle)
	<b>HSFM5S</b>	Hinge set – inward opening (incl. 3 hinges)
	<b>HSFM6S</b>	Offset hinge set – inward opening (incl. 3 offset hinges)
	<b>HSFM7S</b>	Offset hinge handle set – outward opening (incl. 2 offset hinges and 1 offset hinge handle)
<b>Channels</b>	<b>H89SS</b>	Stainless steel (2000 & 3000mm length)
	<b>H94X</b>	Aluminium (2000, 3000, 4000 & 6000mm lengths)
	<b>H94</b>	Brass (4000 & 6000mm lengths)
	<b>H94P</b>	Polypropylene (2000, 3000, 4000 & 6000mm lengths)
	<b>H94PSC</b>	Aluminium supporting channel and polypropylene (2000, 3000, 4000 & 6000mm lengths)
<b>Accessories</b>	<b>Flushbolts</b>	
	<b>HSF190S</b>	190mm non locking flushbolt
	<b>HSF190LS</b>	190mm locking flushbolt
	<b>HSF450S</b>	450mm non locking flushbolt
	<b>HSF450LS</b>	450mm locking flushbolt
	<b>HSF600S</b>	600mm non locking flushbolt
<b>HSF600LS</b>	600mm locking flushbolt	





NOT TO SCALE

HENDERSON



## SECUREFOLD 50 (*radius mortice*)

For top hung exterior folding timber doors. Max 50kg each leaf.

### APPLICATION

- Manufactured from high grade 316 stainless steel and cutting edge polymers with anodised aluminium track
- Ideal for coastal environments or areas requiring a high level of corrosion resistance
- Designed for external outward opening timber doors up to 50kg
- Ideal for residential or commercial applications
- Fantastic resistance to the weather. System can be customised to suit various applications

### DOOR SPECIFICATION

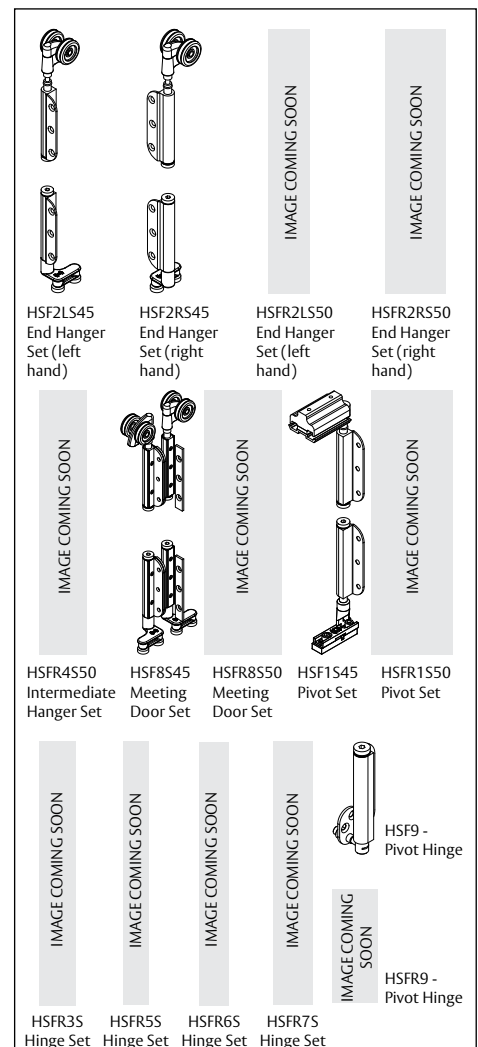
**Track System**                      **Securefold 50**

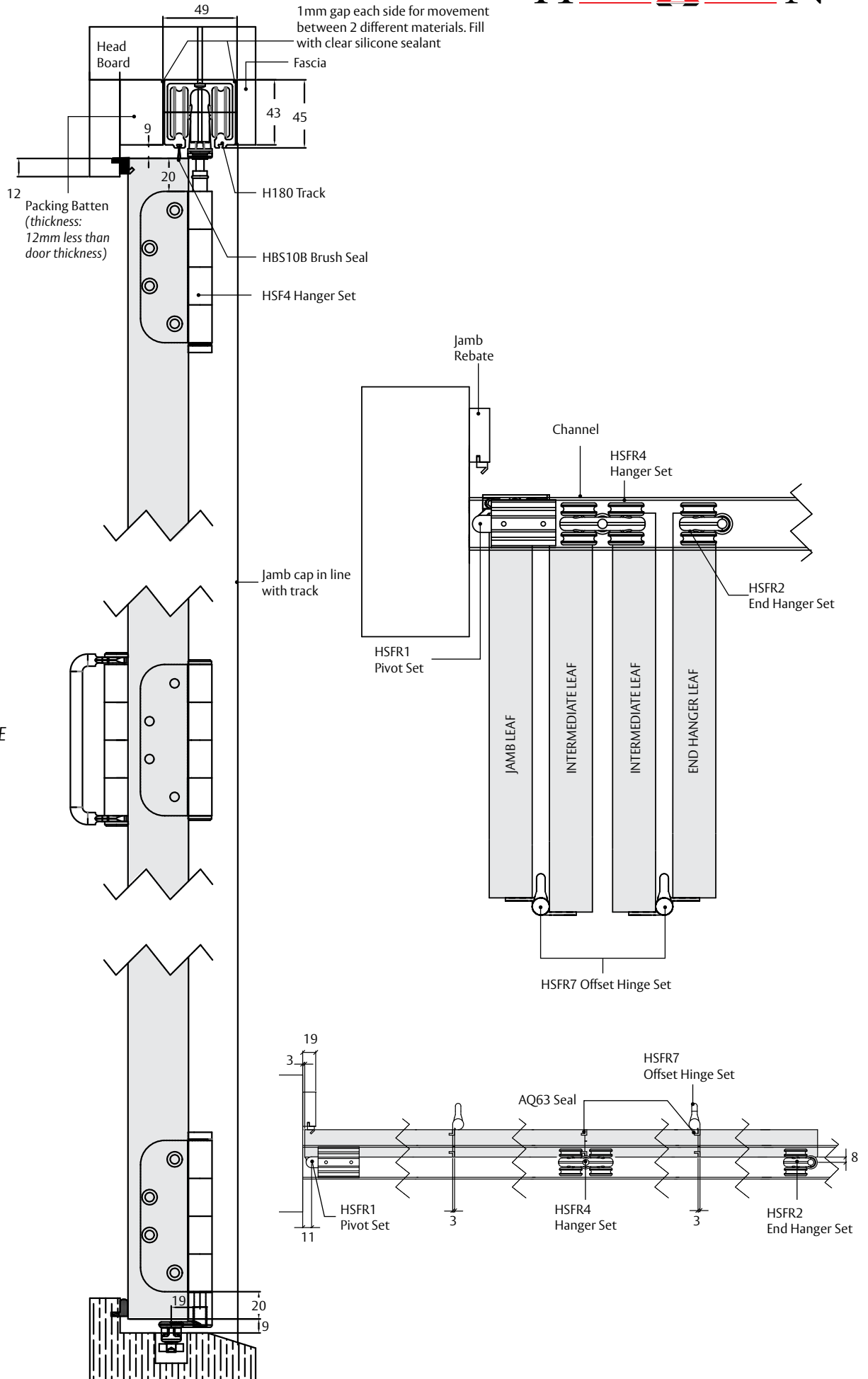
For Individual Door Leaves:

Max Panel Weight	50kg
Max Panel Width	1000mm
Panel Thickness	35-68mm
Max Panel Height	3300mm

### HARDWARE SPECIFICATION

<b>Track</b>	<b>H180</b>	Anodised Aluminium (2000, 3000, 4000 & 6000mm lengths) Soffit fix spacing 900mm centres (maximum)
<b>Hangers</b>	<b>HSF2LS45</b>	End hanger set check in - left hand (incl. hanger, guide and hinge)
	<b>HSF2RS45</b>	End hanger set check in - right hand (incl. hanger, guide and hinge)
	<b>HSFR2LS50</b>	End hanger set mortice wrap around - left hand (incl. hanger and guide)
	<b>HSFR2RS50</b>	End hanger set mortice wrap around - right hand (incl. hanger and guide)
	<b>HSFR4S50</b>	Intermediate hanger set (includes hanger, guide and hinge)
	<b>HSF8S45</b> <b>HSFR8S50</b>	Meeting door set - rebated (incl. 2 hangers and 2 guides) Mortice meeting door set - mortice for square cut doors (includes 2 hangers and 2 guides)
<b>Pivot Sets</b>	<b>HSF1S45</b>	Pivot set check in (incl. top and bottom pivots)
	<b>HSFR1S50</b>	Pivot set mortice wrap around (incl. top and bottom pivots)
	<b>HSF9S</b>	Intermediate pivot hinge check in (optional for doors over 2200mm high)
	<b>HSFR9S</b>	Intermediate pivot hinge mortice wrap around (optional for doors over 2200mm high)
<b>Hinge Sets</b>	<b>HSFR3S</b>	Hinge handle set (incl. 2 hinges and 1 hinge handle)
	<b>HSFR5S</b>	Hinge set – inward opening (incl. 3 hinges)
	<b>HSFR6S</b>	Offset hinge set – inward opening (incl. 3 offset hinges)
	<b>HSFR7S</b>	Offset hinge handle set – outward opening (incl. 2 offset hinges and 1 offset hinge handle)
<b>Channels</b>	<b>H89SS</b>	Stainless steel (2000 & 3000mm length)
	<b>H94X</b>	Aluminium (2000, 3000, 4000 & 6000mm lengths)
	<b>H94</b>	Brass (4000 & 6000mm lengths)
	<b>H94P</b>	Polypropylene (2000, 3000, 4000 & 6000mm lengths)
	<b>H94PSC</b>	Aluminium supporting channel and polypropylene (2000, 3000, 4000 & 6000mm lengths)
<b>Accessories</b>	<b>Flushbolts</b>	
	<b>HSF190S</b>	190mm non locking flushbolt
	<b>HSF190LS</b>	190mm locking flushbolt
	<b>HSF450S</b>	450mm non locking flushbolt
	<b>HSF450LS</b>	450mm locking flushbolt
	<b>HSF600S</b> <b>HSF600LS</b>	600mm non locking flushbolt 600mm locking flushbolt





HENDERSON

ISSUE 1-0013

ASSA ABLOY New Zealand Ltd. PO Box 100407, North Shore, Auckland 0745 • 6 Armstrong Road, Albany, Auckland 0632, New Zealand  
 Within New Zealand: Tel 09 415 8031 Fax 0800 478 297 www.assaabloy.co.nz • Outside New Zealand: Tel +64 9 921 7630 Fax +64 9 415 7222 www.assaabloy.co.nz

## SECUREFOLD 100 (non-mortice)

For top hung exterior folding timber and aluminium doors.  
Max 100kg each leaf.

### APPLICATION

- Manufactured from high grade 316 stainless steel and cutting edge polymers with anodised aluminium track
- Ideal for coastal environments or areas requiring a high level of corrosion resistance
- Designed for external outward opening timber and aluminium doors up to 100kg
- Ideal for residential or commercial applications
- Fantastic resistance to the weather. System can be customised to suit various applications

### DOOR SPECIFICATION

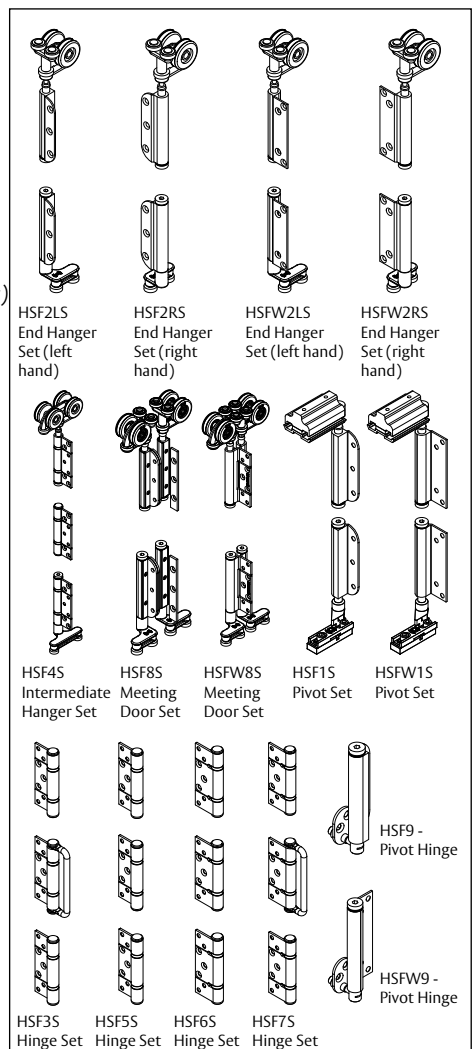
**Track System**                      **Securefold 100**

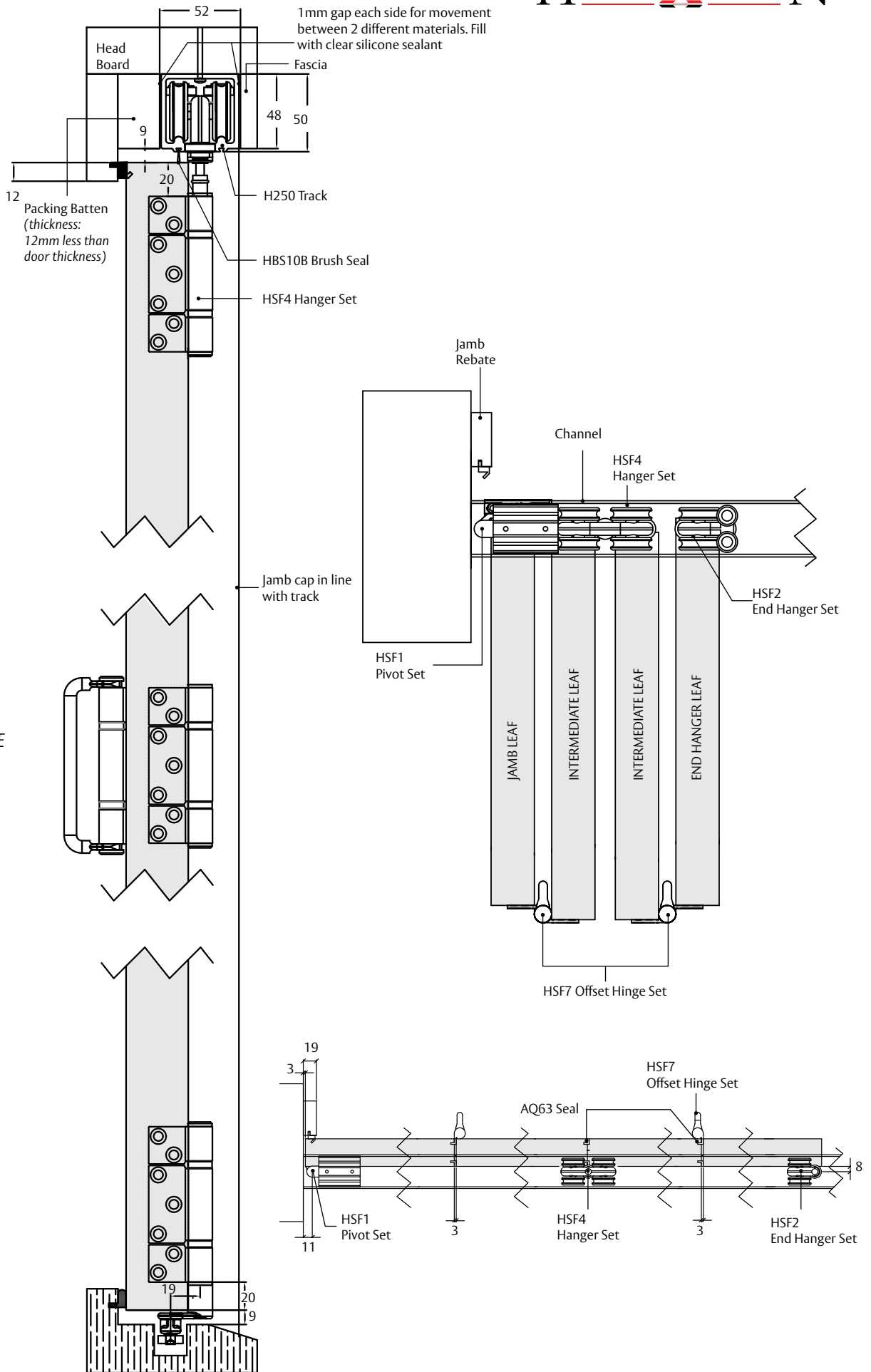
For Individual Door Leaves:

Max Panel Weight	100kg
Max Panel Width	1000mm
Panel Thickness	35-68mm
Max Panel Height	3300mm

### HARDWARE SPECIFICATION

<b>Track</b>	<b>H250</b>	Anodised Aluminium (2000, 3000, 4000 & 6000mm lengths) Soffit fix spacing 900mm centres (maximum)
<b>Hangers</b>	<b>HSF2LS</b>	End hanger set check in - left hand (incl. hanger, guide and hinge)
	<b>HSF2RS</b>	End hanger set check in - right hand (incl. hanger, guide and hinge)
	<b>HSFW2LS</b>	End hanger set non-mortice wrap around - left hand (incl. hanger and guide)
	<b>HSFW2RS</b>	End hanger set non-mortice wrap around - right hand (incl. hanger and guide)
	<b>HSF4S</b> <b>HSF8S</b> <b>HSFW8S</b>	Intermediate hanger set (includes hanger, guide and hinge) Meeting door set - rebated (incl. 2 hangers and 2 guides) Non-mortice meeting door set - non-mortice for square cut doors (includes 2 hangers and 2 guides)
<b>Pivot Sets</b>	<b>HSF1S</b>	Pivot set check in (incl. top and bottom pivots)
	<b>HSFW1S</b>	Pivot set non-mortice wrap around (incl. top and bottom pivots)
	<b>HSF9S</b>	Intermediate pivot hinge check in (optional for doors over 2200mm high)
	<b>HSFW9S</b>	Intermediate pivot hinge non-mortice wrap around (optional for doors over 2200mm high)
<b>Hinge Sets</b>	<b>HSF3S</b>	Hinge handle set (incl. 2 hinges and 1 hinge handle)
	<b>HSF5S</b>	Hinge set - inward opening (incl. 3 hinges)
	<b>HSF6S</b>	Offset hinge set - inward opening (incl. 3 offset hinges)
	<b>HSF7S</b>	Offset hinge handle set - outward opening (incl. 2 offset hinges and 1 offset hinge handle)
<b>Channels</b>	<b>H89SS</b>	Stainless steel (2000 & 3000mm length)
	<b>H94X</b>	Aluminium (2000, 3000, 4000 & 6000mm lengths)
	<b>H94</b>	Brass (4000 & 6000mm lengths)
	<b>H94P</b>	Polypropylene (2000, 3000, 4000 & 6000mm lengths)
	<b>H94PSC</b>	Aluminium supporting channel and polypropylene (2000, 3000, 4000 & 6000mm lengths)
<b>Accessories</b>	<b>Flushbolts</b>	
	<b>HSF190S</b>	190mm non locking flushbolt
	<b>HSF190LS</b>	190mm locking flushbolt
	<b>HSF450S</b>	450mm non locking flushbolt
	<b>HSF450LS</b>	450mm locking flushbolt
	<b>HSF600S</b>	600mm non locking flushbolt
<b>HSF600LS</b>	600mm locking flushbolt	



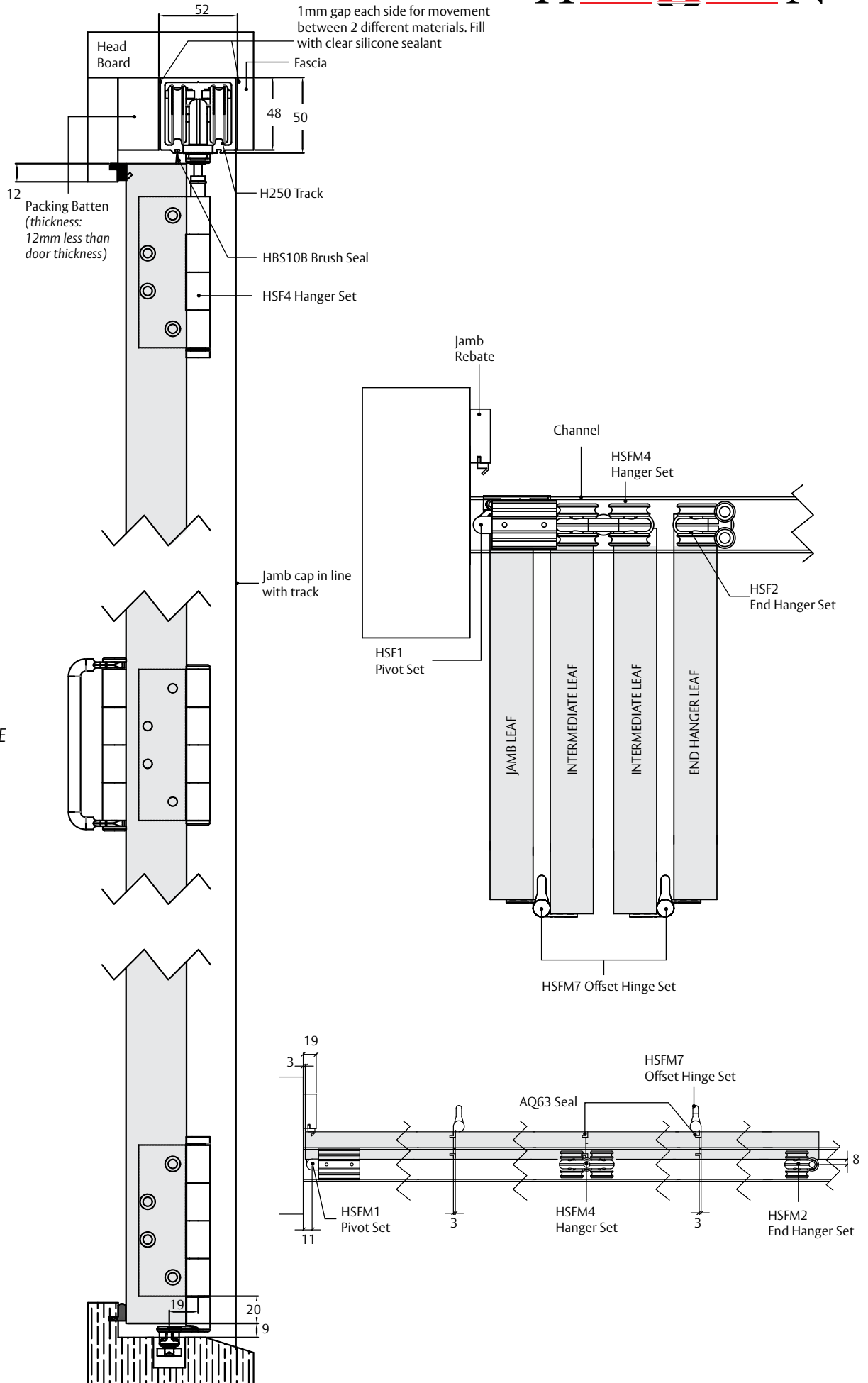


NOT TO SCALE

HENDERSON







HENDERSON

## SECUREFOLD 100 (radius mortice)

For top hung exterior folding timber doors. Max 100kg each leaf.

### APPLICATION

- Manufactured from high grade 316 stainless steel and cutting edge polymers with anodised aluminium track
- Ideal for coastal environments or areas requiring a high level of corrosion resistance
- Designed for external outward opening timber doors up to 100kg
- Ideal for residential or commercial applications
- Fantastic resistance to the weather. System can be customised to suit various applications

### DOOR SPECIFICATION

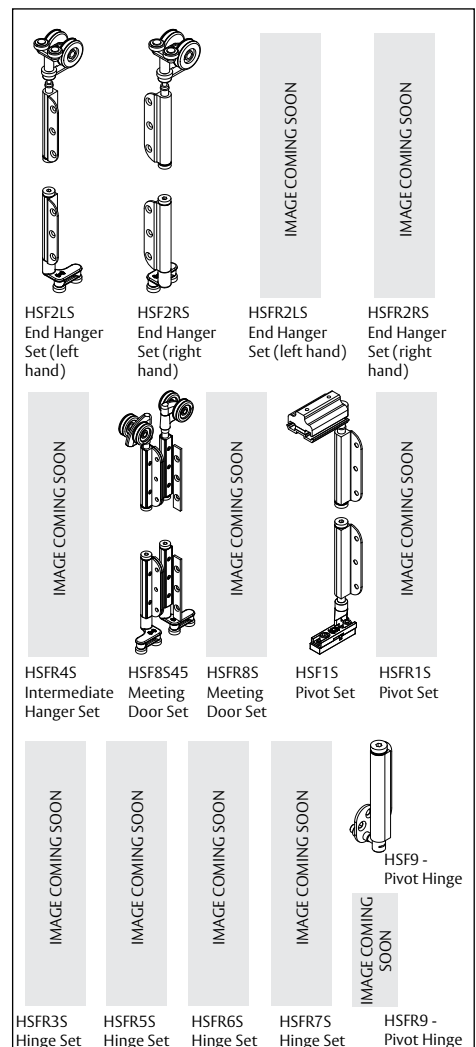
**Track System**                      **Securefold 100**

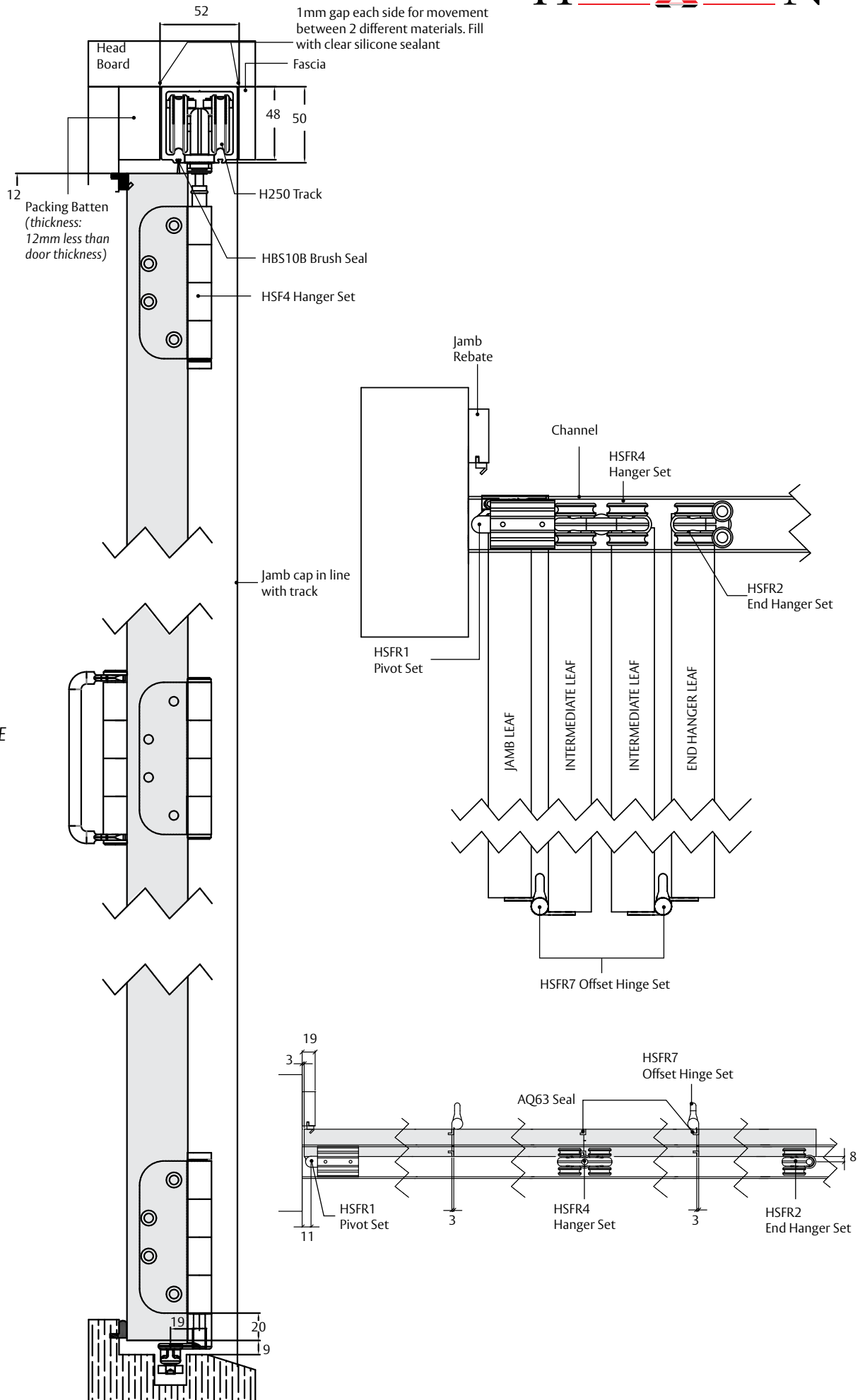
For Individual Door Leaves:

Max Panel Weight	100kg
Max Panel Width	1000mm
Panel Thickness	35-68mm
Max Panel Height	3300mm

### HARDWARE SPECIFICATION

<b>Track</b>	<b>H250</b>	Anodised Aluminium (2000, 3000, 4000 & 6000mm lengths) Soffit fix spacing 900mm centres (maximum)
<b>Hangers</b>	<b>HSF2LS</b>	End hanger set check in - left hand (incl. hanger, guide and hinge)
	<b>HSF2RS</b>	End hanger set check in - right hand (incl. hanger, guide and hinge)
	<b>HSFR2LS</b>	End hanger set mortice wrap around - left hand (incl. hanger and guide)
	<b>HSFR2RS</b>	End hanger set mortice wrap around - right hand (incl. hanger and guide)
	<b>HSFR4S</b> <b>HSF8S</b> <b>HSFR8S</b>	Intermediate hanger set (includes hanger, guide and hinge) Meeting door set - rebated (incl. 2 hangers and 2 guides) Mortice meeting door set - mortice for square cut doors (includes 2 hangers and 2 guides)
<b>Pivot Sets</b>	<b>HSF1S</b>	Pivot set check in (incl. top and bottom pivots)
	<b>HSFR1S</b>	Pivot set mortice wrap around (incl. top and bottom pivots)
	<b>HSF9S</b>	Intermediate pivot hinge check in (optional for doors over 2200mm high)
	<b>HSFR9S</b>	Intermediate pivot hinge mortice wrap around (optional for doors over 2200mm high)
<b>Hinge Sets</b>	<b>HSFR3S</b>	Hinge handle set (incl. 2 hinges and 1 hinge handle)
	<b>HSFR5S</b>	Hinge set – inward opening (incl. 3 hinges)
	<b>HSFR6S</b>	Offset hinge set – inward opening (incl. 3 offset hinges)
	<b>HSFR7S</b>	Offset hinge handle set – outward opening (incl. 2 offset hinges and 1 offset hinge handle)
<b>Channels</b>	<b>H89SS</b>	Stainless steel (2000 & 3000mm length)
	<b>H94X</b>	Aluminium (2000, 3000, 4000 & 6000mm lengths)
	<b>H94</b>	Brass (4000 & 6000mm lengths)
	<b>H94P</b>	Polypropylene (2000, 3000, 4000 & 6000mm lengths)
	<b>H94PSC</b>	Aluminium supporting channel and polypropylene (2000, 3000, 4000 & 6000mm lengths)
<b>Accessories</b>	<b>Flushbolts</b>	
	<b>HSF190S</b>	190mm non locking flushbolt
	<b>HSF190LS</b>	190mm locking flushbolt
	<b>HSF450S</b>	450mm non locking flushbolt
	<b>HSF450LS</b>	450mm locking flushbolt
	<b>HSF600S</b>	600mm non locking flushbolt
<b>HSF600LS</b>	600mm locking flushbolt	





NOT TO SCALE