

# CF Slate Tile (Figure 7)

[All Dimensions Nominal]

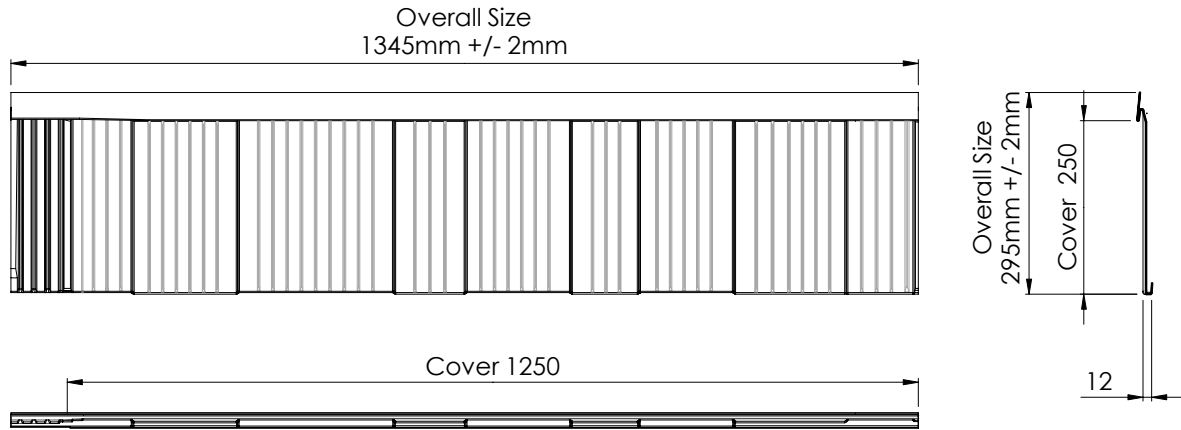


Figure 7.1 Tile Dimensions

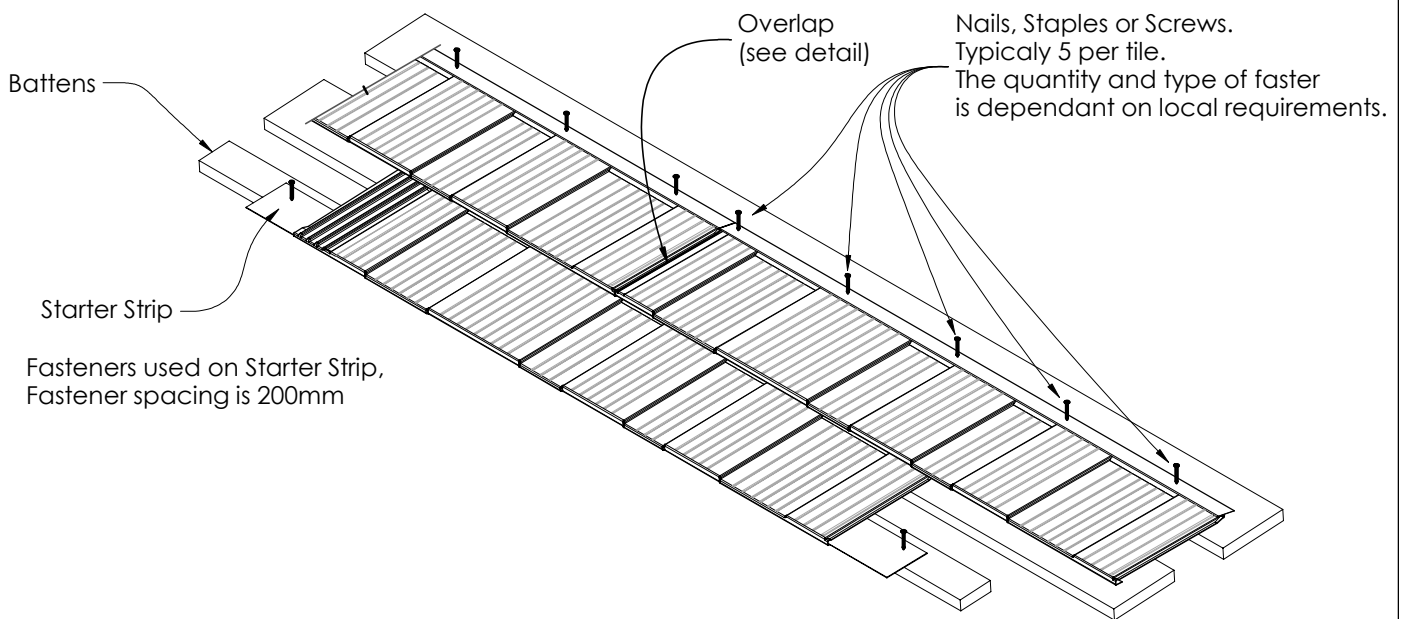
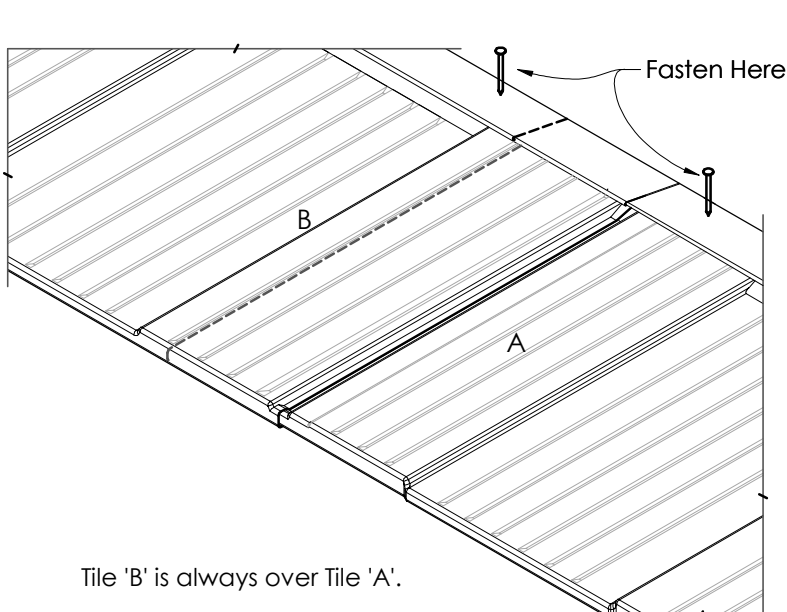


Figure 7.2 Fastening Detail



Tile 'B' is always over Tile 'A'.

Figure 7.3 Overlap Detail

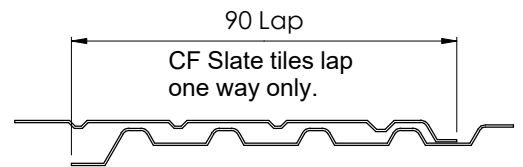
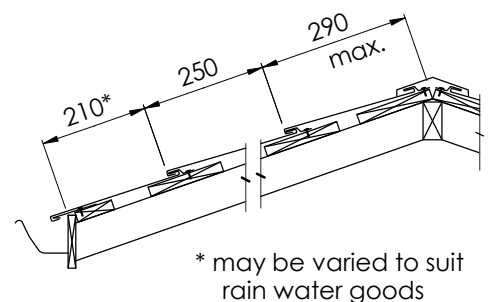


Figure 7.4 Lap Section



\* may be varied to suit rain water goods

Figure 7.5 Batten Layout