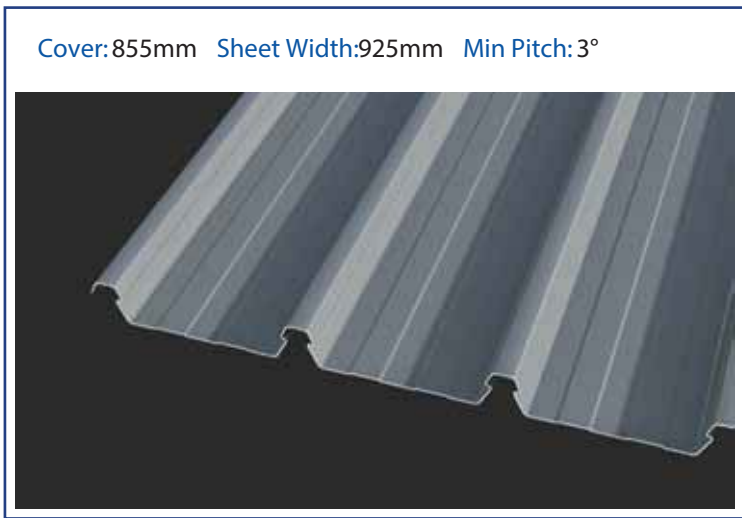


Metdek855

0800 ROOFNZ (0800 766369)
 Issue Date August 2008
 Rev A Date April 2014

Metdek855 is a revolution in roll forming, sheets can be run onsite to any length. Metdek855 combines the clean lines of a concealed fixing system with the spanning capabilities of the commercial pierce fixed trapezoidal profiles. Metdek855 is available in Zinalume, Galvsteel, Colorsteel Endura and Colorsteel Maxx.

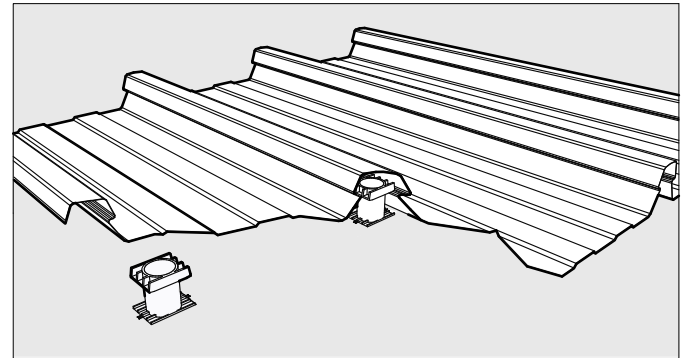


Recommended Fixings

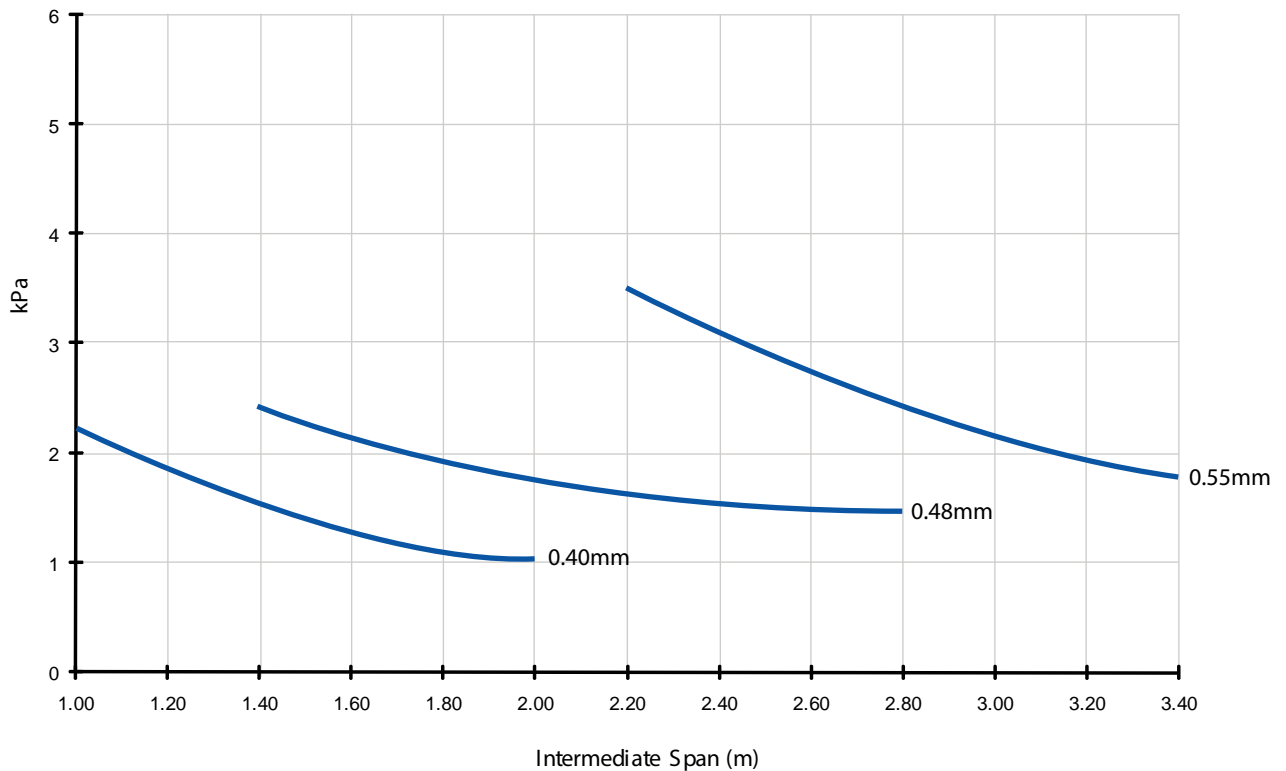
Timber: 12G x 65mm

Steel: 14G x 42mm

Fixing Patterns - 1 lug per rib per purlin



Metdek855UDL



Note: The intermediate spans shown in the graphs above are based on G550 Steel as the base metal. To calculate end spans please multiply the intermediate span calculated by 0.66. Spans are based on restricted access. For alternative metals please contact your local Metalcraft branch.

Manufacturing Locations Onsite nationwide

Metdek855 is available for purchase from all Metalcraft branch locations