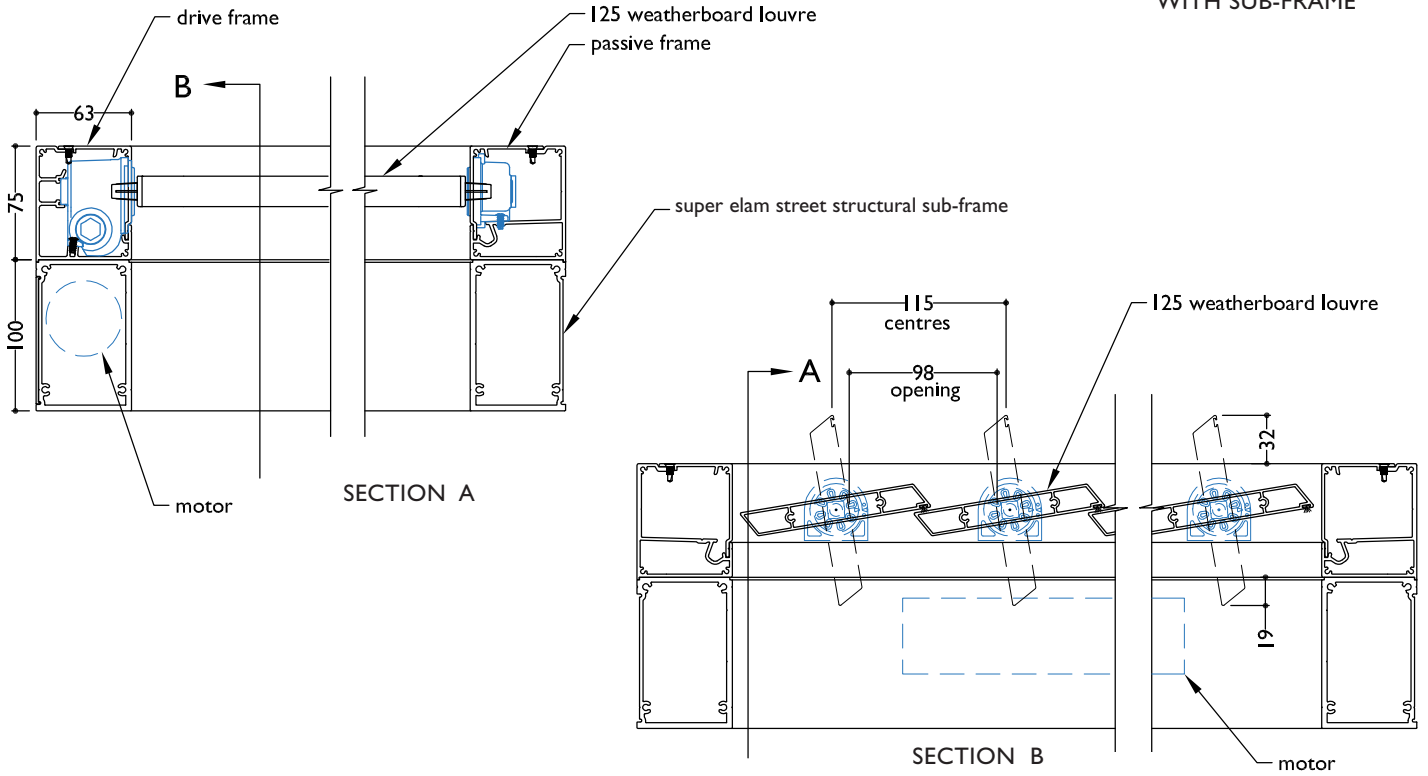


TYPICAL DETAIL : 125MM WEATHERBOARD LOUVRE MOTORISED AND HAND OPERABLE

SECTION - MOTORISED 125 WEATHERBOARD LOUVRE SPIRAL PIVOT ON SUPER ELAM STREET STRUCTURAL FRAME WITH SUB-FRAME



SECTION - HAND OPERABLE 125 WEATHERBOARD LOUVRE SPIRAL PIVOT

