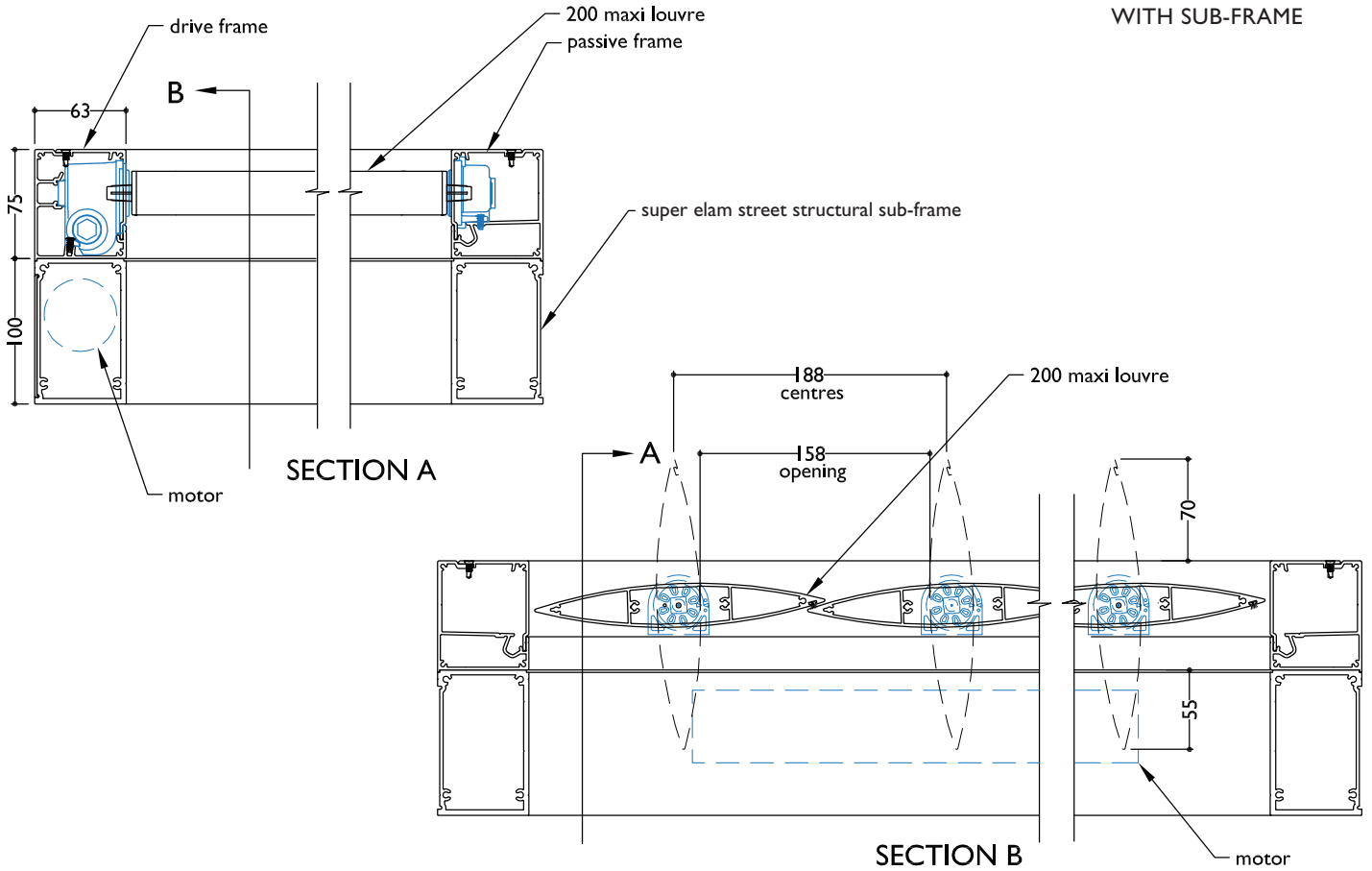


**TYPICAL DETAIL : MOTORISED 200MM MAXI LOUVRE SPIRAL PIVOT**

**SECTION - MOTORISED 200MM MAXI LOUVRE SPIRAL PIVOT ON SUPER ELAM STREET STRUCTURAL FRAME WITH SUB-FRAME**



**SECTION - MOTORISED 200MM MAXI LOUVRE SPIRAL PIVOT WITH TOP MOUNTED MOTOR**

