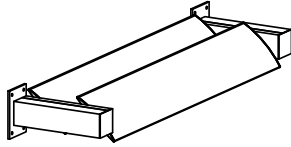


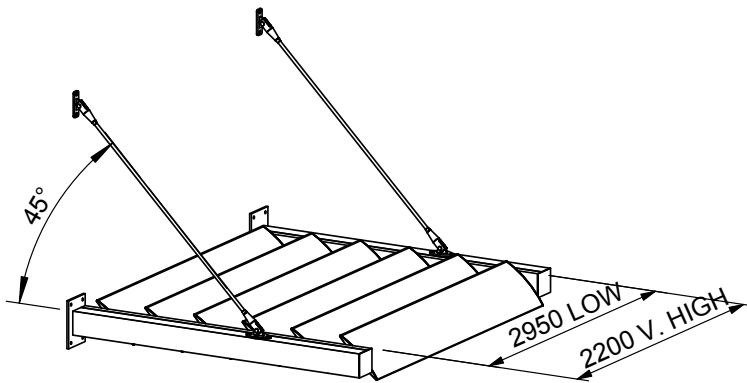
TYPICAL DETAIL : END FIXED OVERHEAD SUN LOUVRES 180MM AIRFOILS & 200MM MAXI LOUVRES SPANS AT A GLANCE

OVERHEAD EYEBROW LOUVRES



Free Span Example

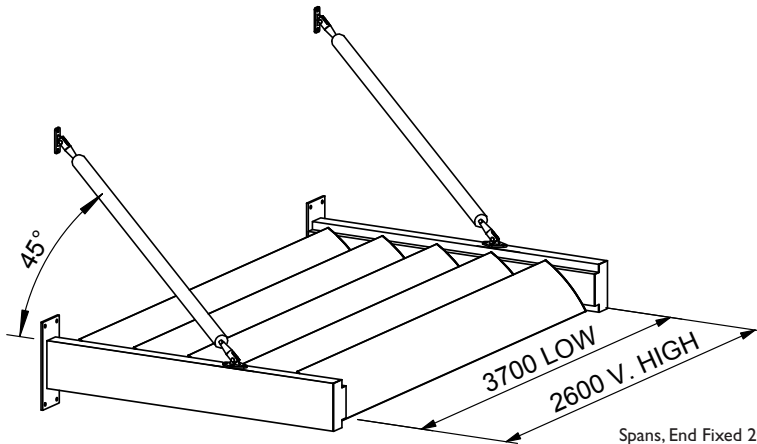
CALCULATIONS FOR BLADE SPANS SHOW RANGE FROM
 Low Wind Zone | 15km/h, 32m/s to
 Extra High Wind Zone | 98km/h, 55m/s
 Refer Engineering Details, Section 11



Ø20 SS Strut Support Example,
 Strut at Optimum 45° angle.

Spans, End Fixed
 180mm Airfoil Louvre.

KEY	
LF =	Free span
LS15 =	Strut @ 15°
LS30 =	Strut @ 30°
LS45 =	Strut @ 45°
Plain Column:	
Low - Med Wind Zone.	
Up to 133Km/h - 37m/s	
Shaded Column:	
High - VHigh Wind Zone.	
Up to 179Km/h - 50m/s	



Ø42 SS Strut Support Example,
 Strut at Optimum 45° angle.

Spans, End Fixed 200mm Maxi Louvre.