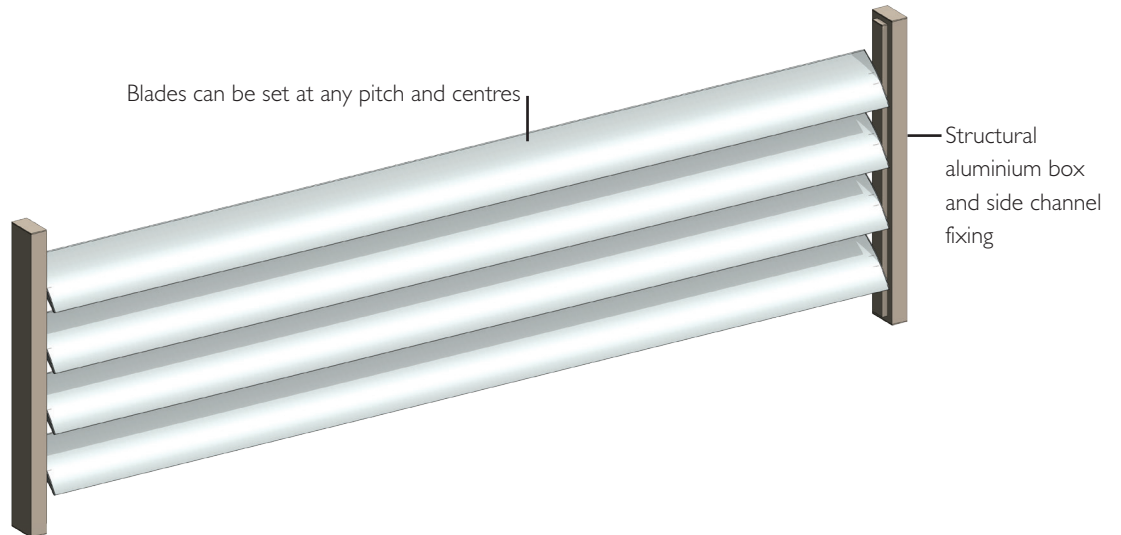


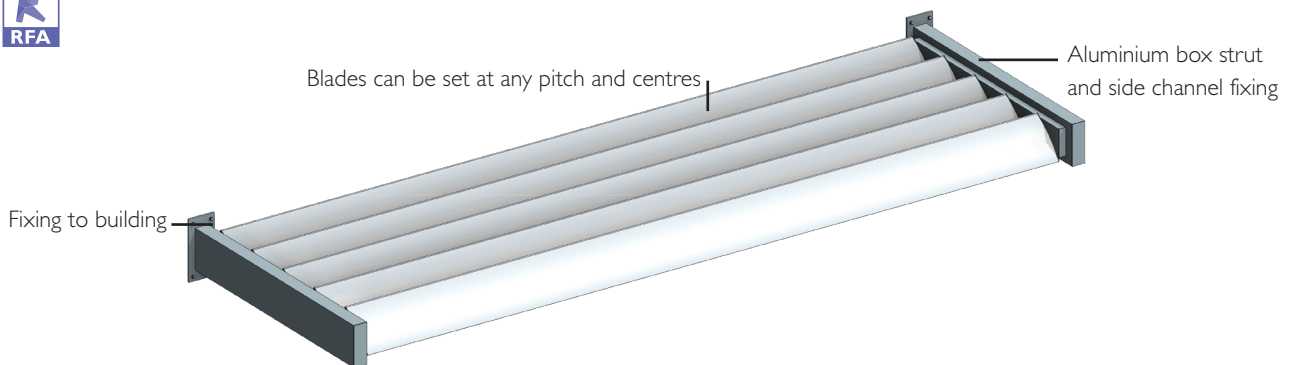
TECHNICAL DETAILS 180MM AIRFOIL LOUVRES - END FIXED

TYPICAL DETAIL 3D MODEL 180MM AIRFOIL LOUVRES END FIXED VERTICAL PANEL



End fixed vertical panel

TYPICAL DETAIL 3D MODEL 180MM AIRFOIL LOUVRES END FIXED OVERHEAD PANEL



End fixed overhead panel