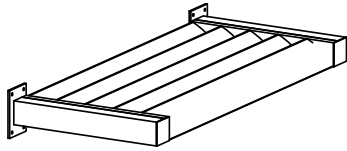
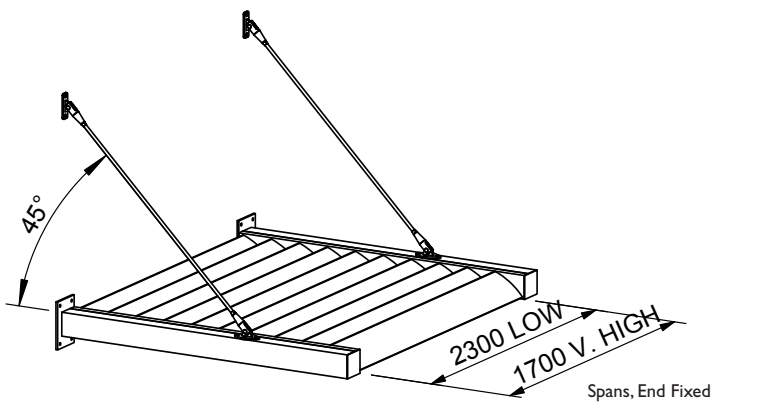


TYPICAL DETAIL : END FIXED OVERHEAD SUN LOUVRES 120MM AIRFOILS & 150MM MIDI LOUVRES SPANS AT A GLANCE

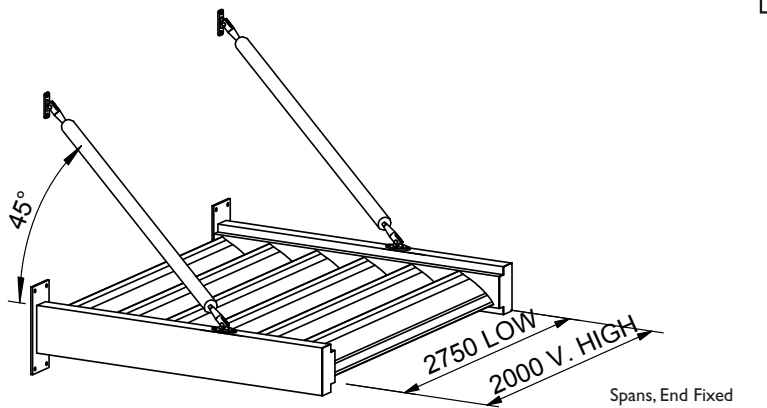
TYPICAL DETAIL OVERHEAD EYEBROW END FIXED LOUVRES



Free Span Example



Ø20 SS Strut Support Example, Strut at Optimum 45° angle.



Ø42 SS Strut Support Example, Strut at Optimum 45° angle.

CALCULATIONS FOR BLADE SPANS SHOW RANGE FROM

Low Wind Zone 115km/h, 32m/s to
Extra High Wind Zone 198km/h, 55m/s
Refer Engineering Details, Section 11

KEY

- LF = Free span
- LS15 = Strut @ 15°
- LS30 = Strut @ 30°
- LS45 = Strut @ 45°

Plain Column:
Low - Med Wind Zone.
Up to 133Km/h - 37m/s

Shaded Column:
High - VHigh Wind Zone.
Up to 179Km/h - 50m/s