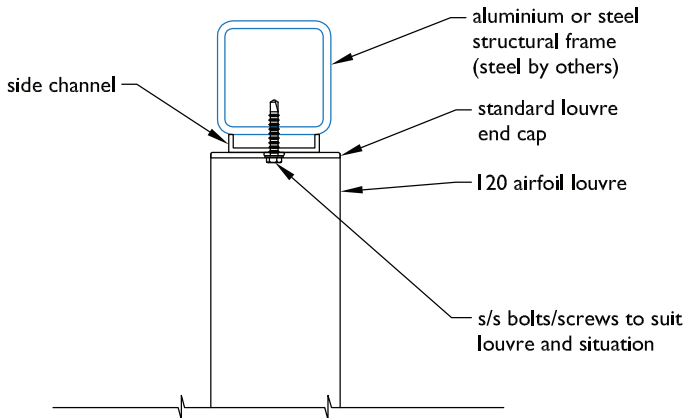
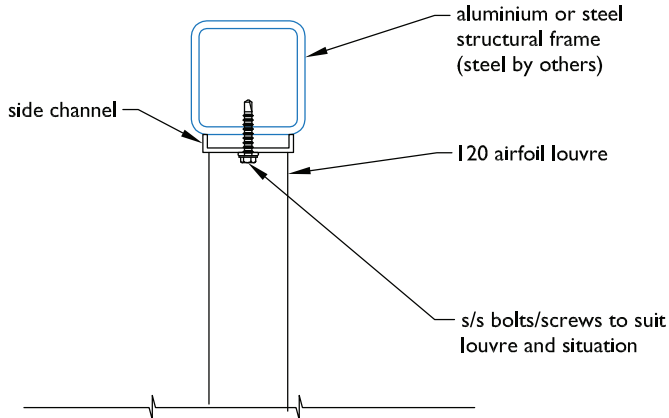


TYPICAL DETAIL : 120MM AIRFOIL LOUVRE - END FIXED

PLAN

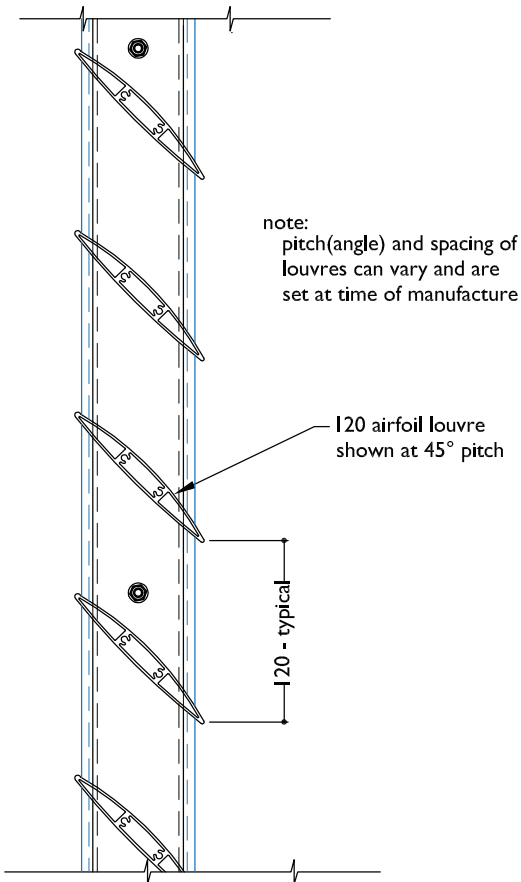


On side channel
end caps required

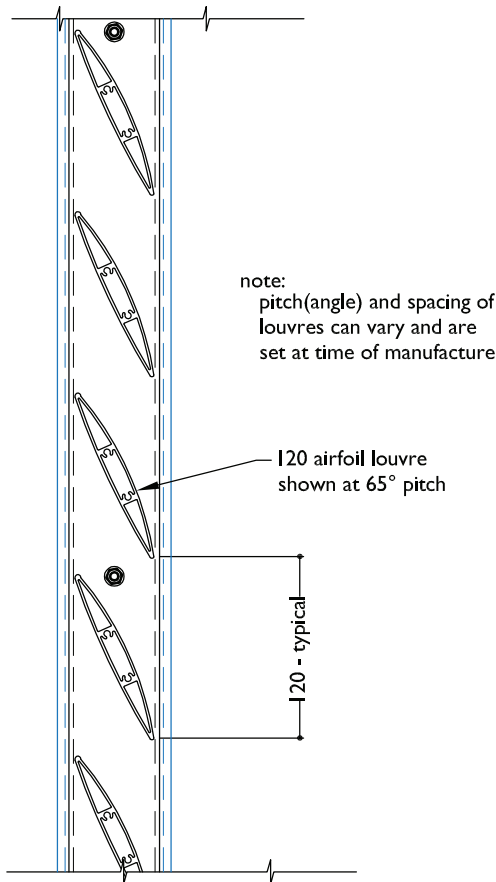


On side channel
no end caps required

SECTION



Louvres outside side channel
end caps required



Within side channel
no end caps required