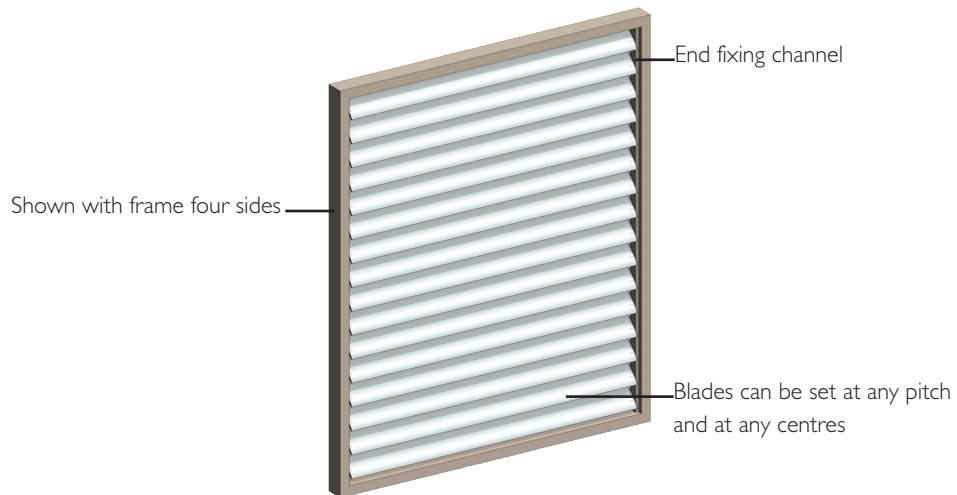


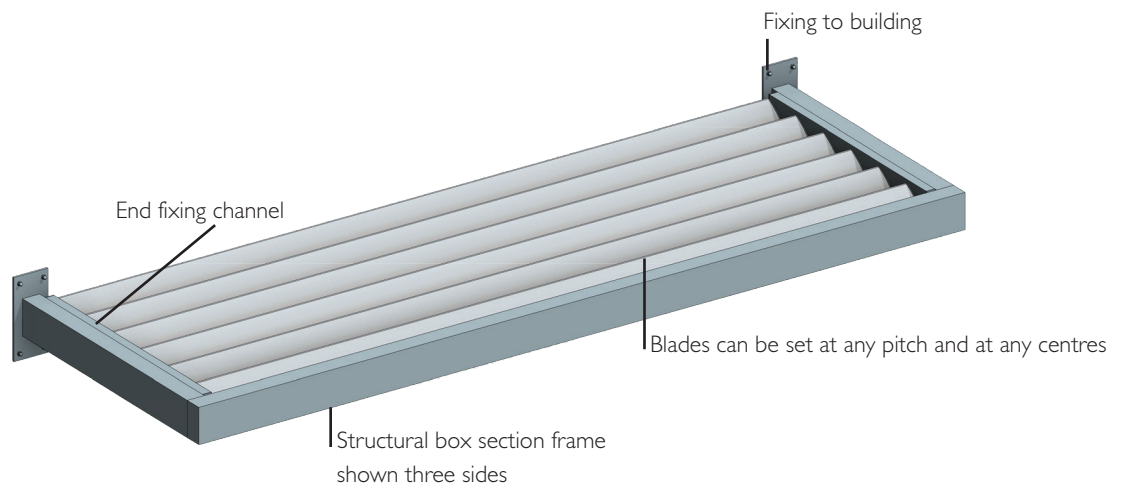
TECHNICAL DETAILS | 120MM AIRFOIL LOUVRE - END FIXED

TYPICAL DETAIL 3D MODEL | 120MM AIRFOIL LOUVRES END FIXED - VERTICAL PANEL



End fixed vertical panel

TYPICAL DETAIL 3D MODEL | 120MM AIRFOIL LOUVRES END FIXED OVERHEAD PANEL



End fixed overhead panel