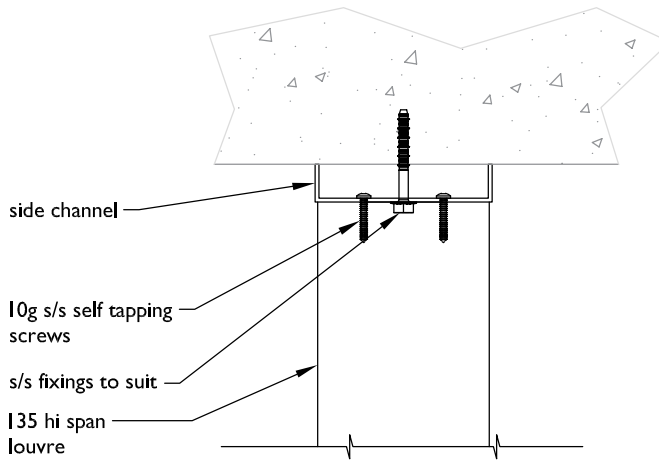
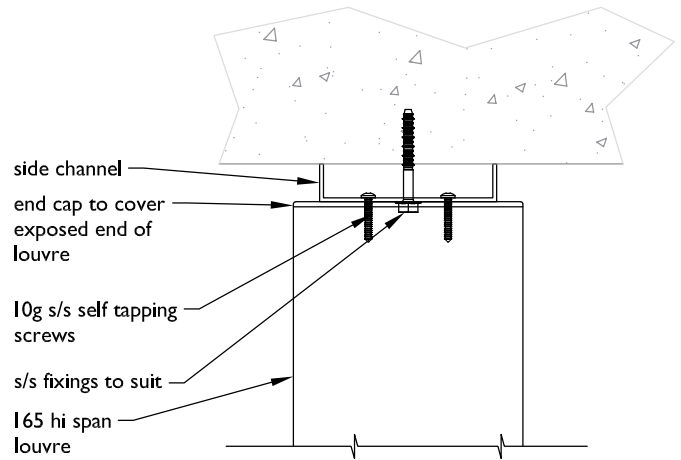


TYPICAL DETAIL : 135MM AND 165MM HI-SPAN BALUSTRADE LOUVRES END FIXED

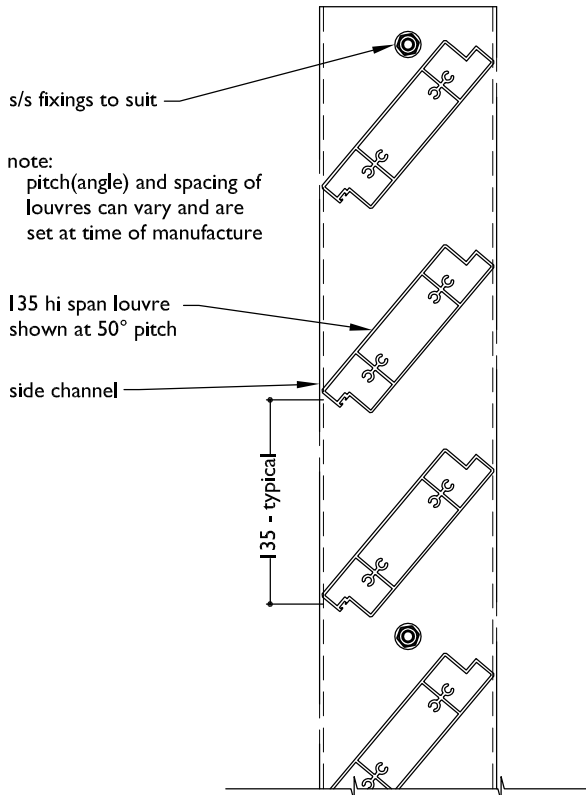
PLAN - END FIXED
135 HI SPAN LOUVRE



PLAN - END FIXED
165 HI SPAN LOUVRE



SECTION - END FIXED
135 HI SPAN LOUVRE



SECTION - END FIXED
165 HI SPAN LOUVRE

