

# Louvretec | Kelray Heating



Job/ Quote no. : \_\_\_\_\_  
 Customer : \_\_\_\_\_  
 Address : \_\_\_\_\_  
 Ph : \_\_\_\_\_



Heater Type: I-25 2500W                      I-30 3000W  
 Quantity:                                      

Custom bracket: Qty

Control:

On/Off remote (1 controller operates 1 or 2 heaters) Qty

Dimmer remote (1 controller operates 1 or 2 heaters) Qty

Electrical work By others  By Louvretec

Model		Unit Length	Mounting Height	Ceiling Mount	KW	Amps	Heat Coverage
I-25		99cm	2.2 - 2.6m	4.0m	2.5	10.0	3.0 x 3.0m
I-30		156cm	2.2 - 2.7m	4.0m	3.0	12.6	3.5 x 3.5m



### 1 or 2 Heater On/Off Controller

#### Features:

- Individual control of each heater
- Controls both 2500w and 3000w heaters
- Dimensions 145wx210hx80d
- Must be installed in a dry, shaded area eg under an eave

#### Remote Options:



Hand Held  
Remote Control



Wall Mounted  
1 Heater  
Remote Control



Wall Mounted  
2 Heater  
Remote Control



### Dimmer Controller

#### Features:

- Dimmer function
- Controls both heaters at the same time (ie there is no individual control)
- Controls both 2500w and 3000w heaters
- Dimmer dimensions 230hx200wx80d
- Must be installed in a dry, shaded well ventilated area
- Must be installed upright ie heat sink at the top

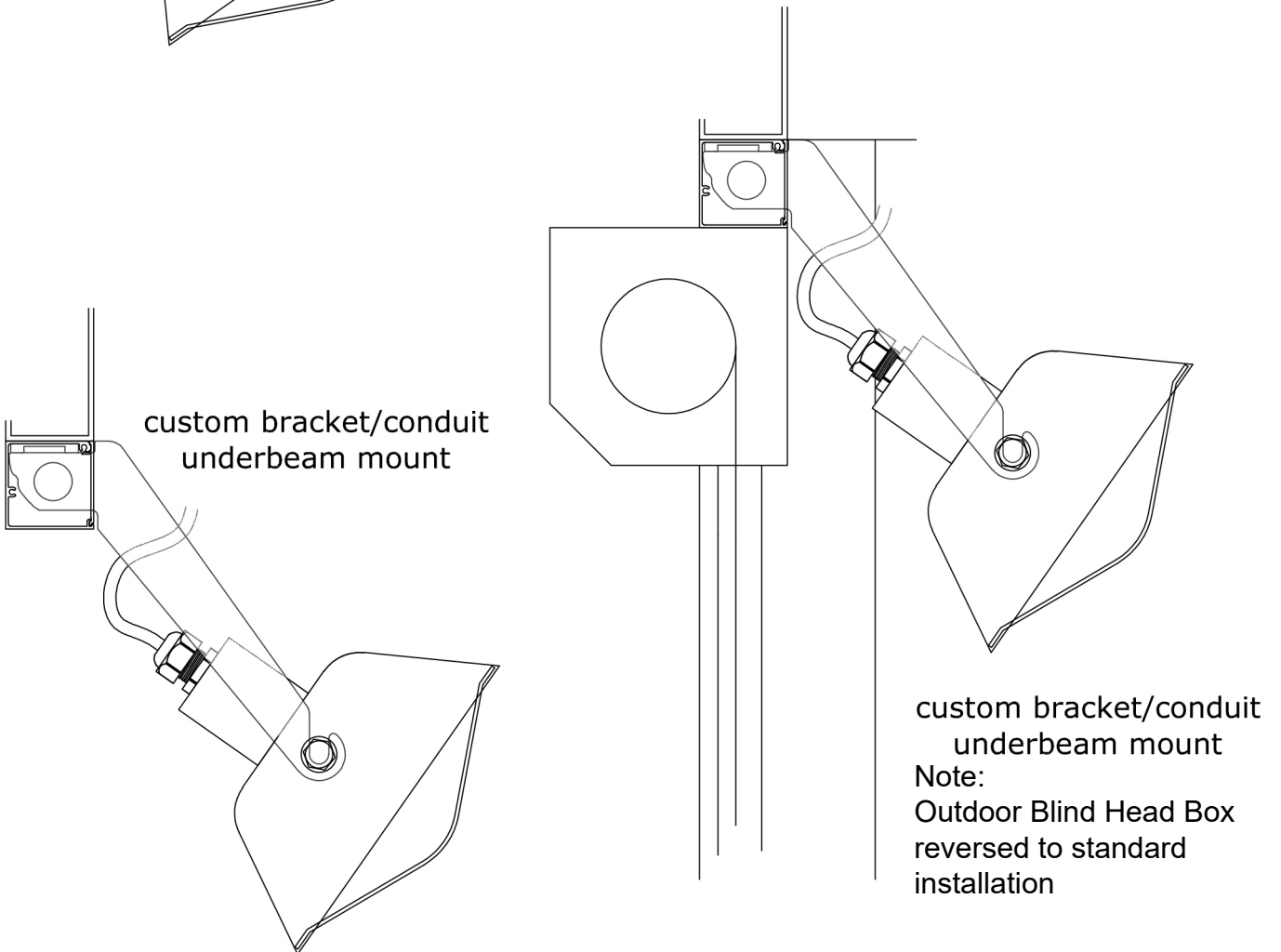
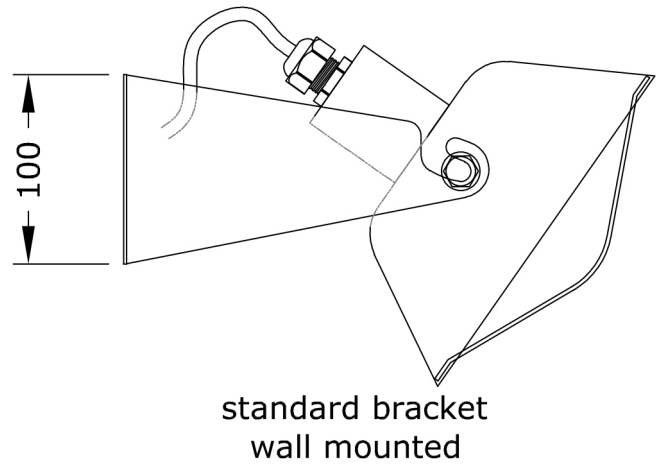
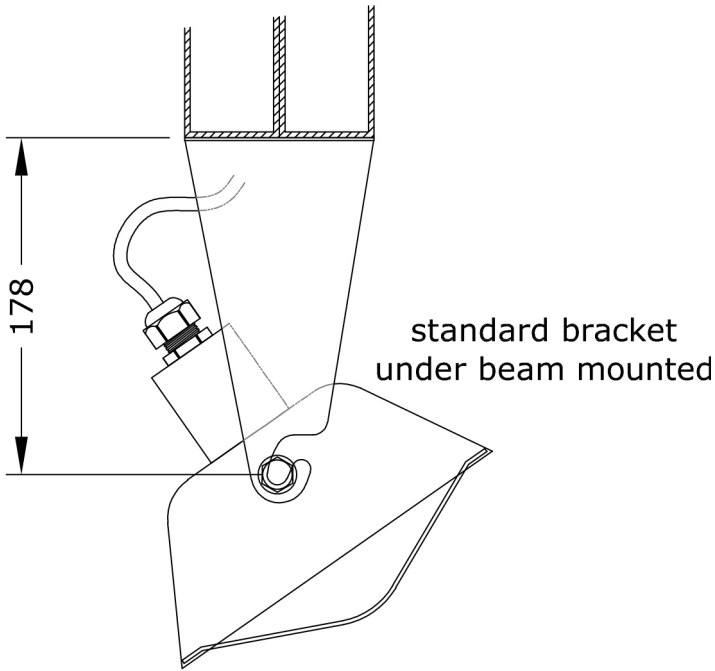
#### Remote Options:



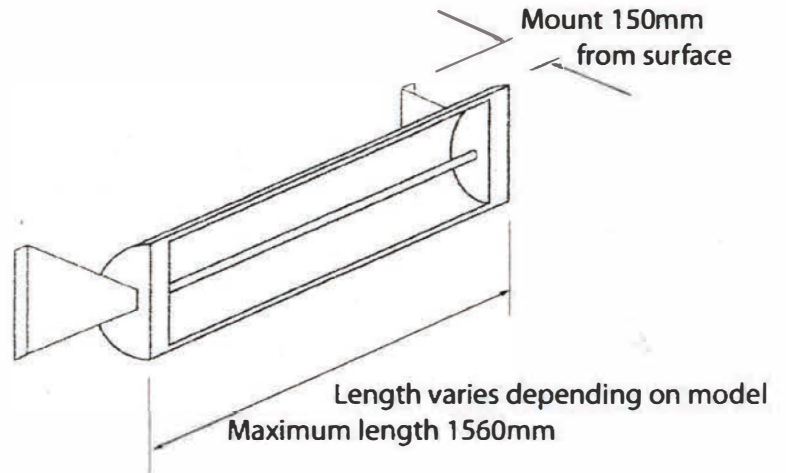
Hand Held  
Remote Control



Wall Mounted  
1 or 2 Heater  
Remote Control

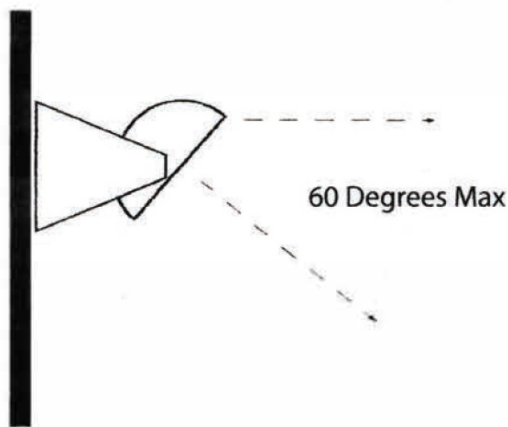


The following information is supplied to assist in the installation of quartz tube radiant heaters. Always install units horizontally and maintain minimum clearances from combustible materials.

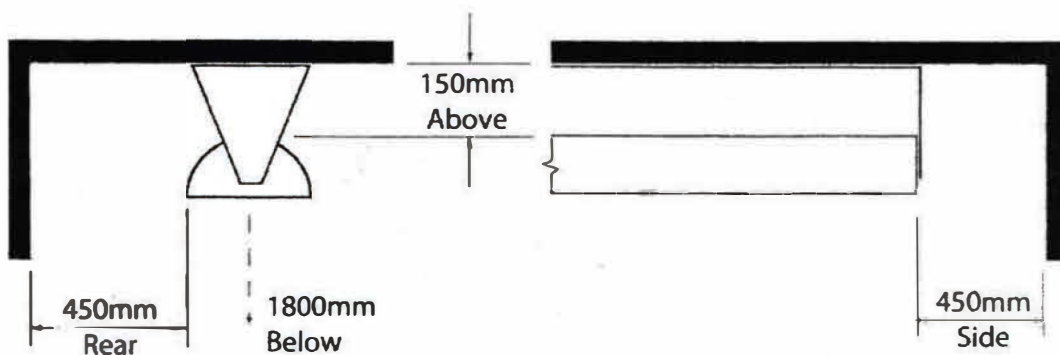
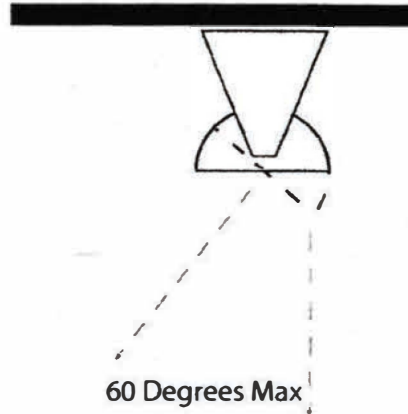


Wall / ceiling brackets are supplied. Heater must always be installed horizontally, it can then be rotated to a maximum of 60 degrees (45 degrees is recommended)

**WALL MOUNTED**



**CEILING MOUNTED**



Always maintain minimum clearances from heater body to combustible material. Heater must be installed horizontally.

This appliance is not intended for use by young children or infirm persons unless they are adequately supervised by a responsible person to ensure that they use the appliance safely.

Young children should be adequately supervised to ensure they do not play with this appliance.

This appliance must not be located immediately below a socket outlet.

This appliance must be installed at a minimum 1800mm above floor level.

Use of a RCD is recommended with IP 24 portable heater.

### **WARNING: SOURCE OF POSSIBLE IGNITION.**

Never block front of heater.

Do not install or operate heater close to combustible materials. The front of the heater must not be installed closer than 650 mm from vertical surfaces.

### **SOURCE OF POSSIBLE ELECTRIC SHOCK.**

Never attempt to service appliance with out disconnecting power supply. Appliance must be serviced by persons with appropriate qualifications i.e. an electrician or appliance service technician.

### **Installation instructions:**

Install heater using stainless steel brackets provided.

Use 25x 5mm stainless steel fasteners appropriate to structural material the heater is attached to. Brackets should be attached 1010 mm apart (for the 1000mm length heater) or 1570mm (for the larger 1560mm length heater) with slotted aperture facing upwards.

Wind out both stainless steel bolts (on end of heater) just enough to allow the heater to be slotted into each bracket.

Set desired angle of heater (as per diagram) and tighten both bolts to secure heater.

Remove foam protectors from behind element before first using heater.

**Maintenance:** Marine grade stainless steel will not rust but under certain atmospheric conditions and in particular when close to the sea rust coloured staining may occur. This may be removed using a wire wool soap pad (as used in dishwashing), a scotch brite pad or W.D.40 spray. To clean reflector, isolate power supply, remove grille and clean alloy reflector with soft dry clothe. DO Not use abrasive materials. If heater has been in use wait until fully cooled down before handling.

**Warranty:** This heater manufactured in New Zealand has a 3-year warranty on the heater body and fitments and 1 year on the element. Warranty does NOT INCLUDE physical damage to heater or element. Read warranty instructions on the back of heater for fitting of elements in units other than the IP 24 portable heater. Return appliance with proof of purchase to point of sale. Manufacturer will at their discretion either repair or replace appliance.

**WARNING:** Care must be taken when transporting/ handling the heater as quartz glass element is fragile. Never handle or move heater unless fully cooled down

