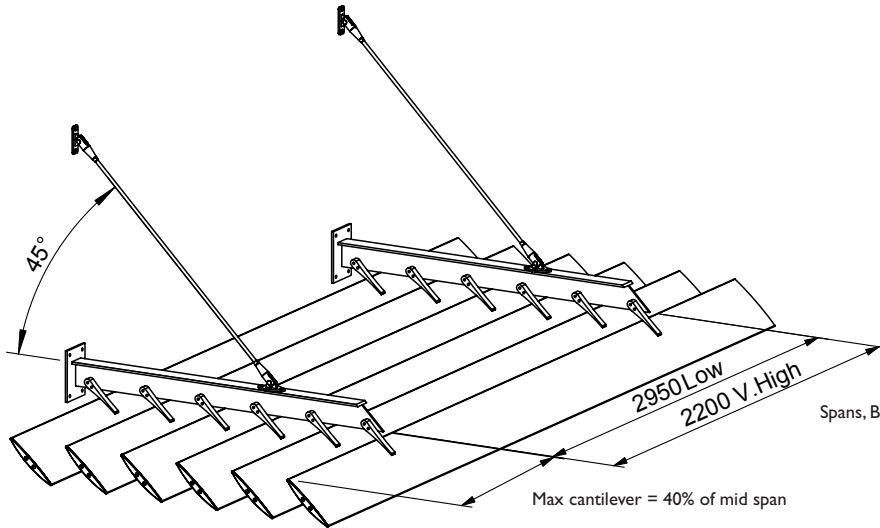


TYPICAL DETAIL : BRACKET FIXED OVERHEAD SUN LOUVRES 180MM AIRFOILS & 200MM MAXI LOUVRES SPANS AT A GLANCE

OVERHEAD EYEBROW LOUVRES

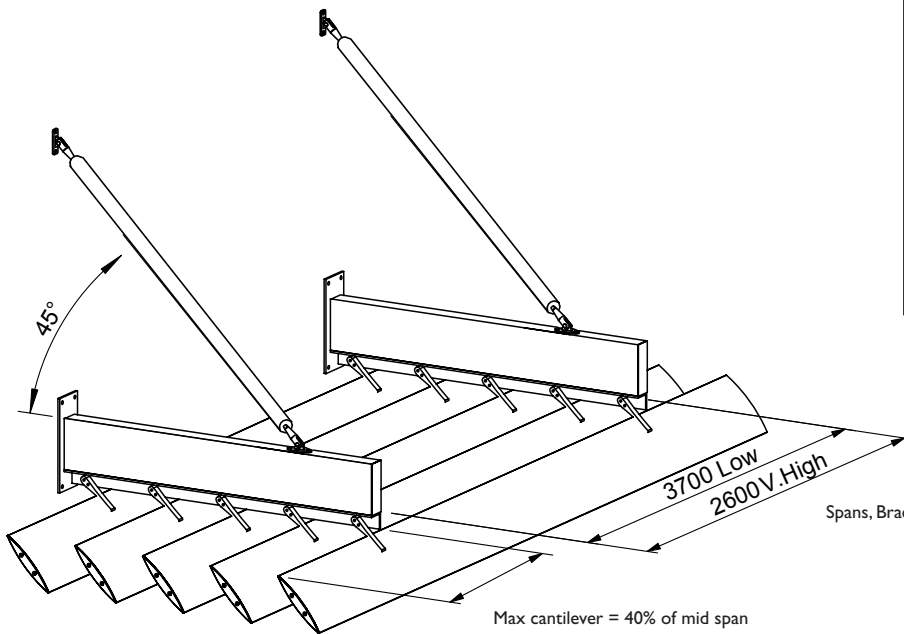


CALCULATIONS FOR BLADE SPANS SHOW RANGE FROM

Low Wind Zone | 15km/h, 32m/s to
Extra High Wind Zone 198km/h, 55m/s
Refer Engineering Details, Section 11

Spans, Bracket Fixed 180mm Airfoil Louvre.

Ø20 SS Strut Support Example,
Strut at Optimum 45° angle.



Spans, Bracket Fixed 200mm Midi Louvre.

Ø42 SS Strut Support Example,
Strut at Optimum 45° angle.

KEY

- LF = Free span
- LS15 = Strut @ 15°
- LS30 = Strut @ 30°
- LS45 = Strut @ 45°

Plain Column:
Low - Med Wind Zone.
Up to 133Km/h - 37m/s

Shaded Column:
High - VHigh Wind Zone.
Up to 179Km/h - 50m/s