

wiring diagrams

// SOMFY TUBULAR MOTORS & CONTROL SYSTEMS



WIRING DIAGRAMS

The following Wiring Diagrams cover the range of Louvretec motorised Spiral Pivot and Rodeo Direct Drive installations outlined on pages 2.12–2.17.

Please read in conjunction with Louvretec brochure “Operating Options - Louvretec Spiral Pivot System, Motorisation, Automation, Hand Controls”.

The wiring diagrams are categorised into:

- // DW - Direct Wiring (fully hard wired systems), &
- // RTS - Wireless Technology (motors hard wired, wireless controls)

Both the DW & RTS options covered include:

- // Individual controls
- // Group controls
- // Group & individual controls
- // Controls as above with rain sensors

IMPORTANT SAFETY INSTRUCTIONS FOR INSTALLATION

An incorrect installation could lead to serious injury.

Follow all these instructions as well as those supplied with the motor and controls

- // Install an omnipolar isolating switch upstream with a minimum contact opening space of 3mm.
- // Motors must be installed and programmed by competent installers.
- // For products necessary for the safe functioning of the motorised installation, refer to Louvretec.
- // Use only Somfy approved accessories.
- // Only use Somfy transmitters with the RTS motors.
- // Before carrying out any form of maintenance isolate the power to the motor and or controls.
- // Examine the installation at regular intervals. Do not use the installation until any faults have been rectified.
- // Should you have any questions regarding the installation of Somfy motors and controls contact your nearest Louvretec Dealer

The following wiring diagrams will cover the majority of installation options, however please contact your nearest Louvretec Dealer to discuss any customised options not currently shown.

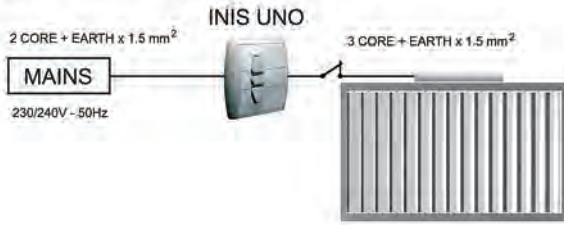


Somfy offers a 5 year warranty on all Somfy motors and electronics

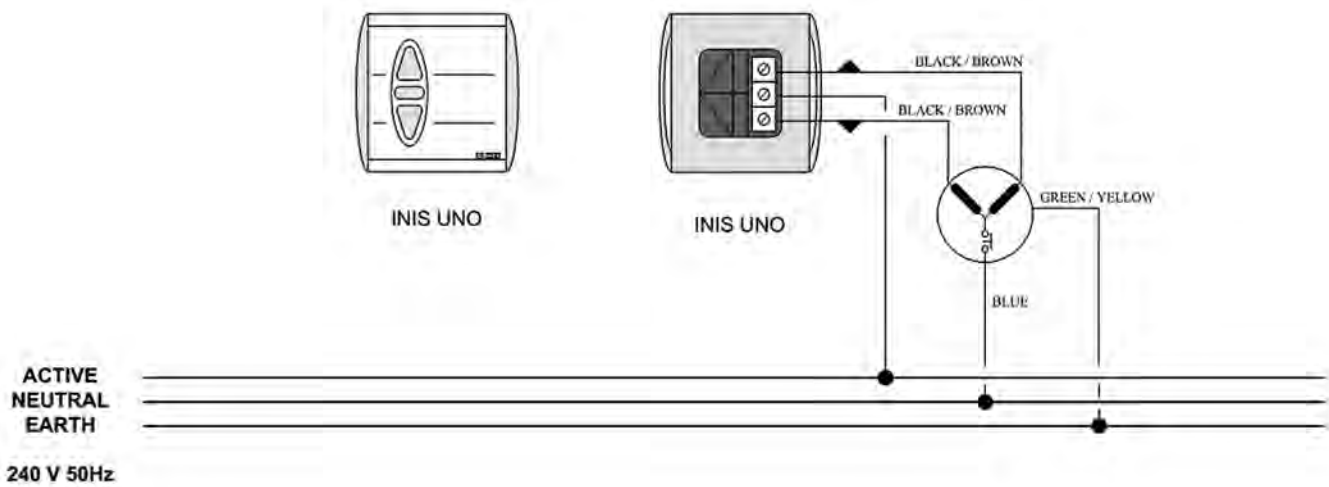
TYPICAL DETAIL // DRAWING I



1) DW Individual Control One Panel



TYPICAL DETAIL // DRAWING I



DIRECT WIRING CABLING // STANDARD SOMFY LS40 & LT50 MOTORS OR RODEO 240V ROD ACTUATORS



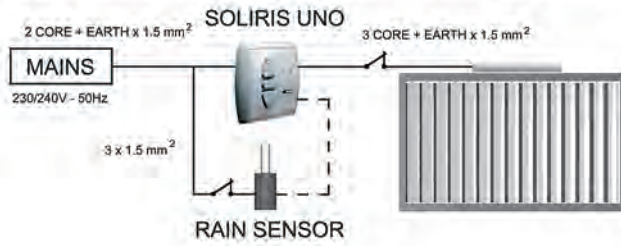
BLUE = NEUTRAL
 BROWN = DIRECTION 1
 BLACK = DIRECTION 2
 YELLOW/GREEN = EARTH

Wiring	4 core double insulated heavy duty flex 4 x 1.5mm
Voltage	230 - 240 / 50HZ
Rated Current	0.8 Amps
Current Consumption	170 Watts

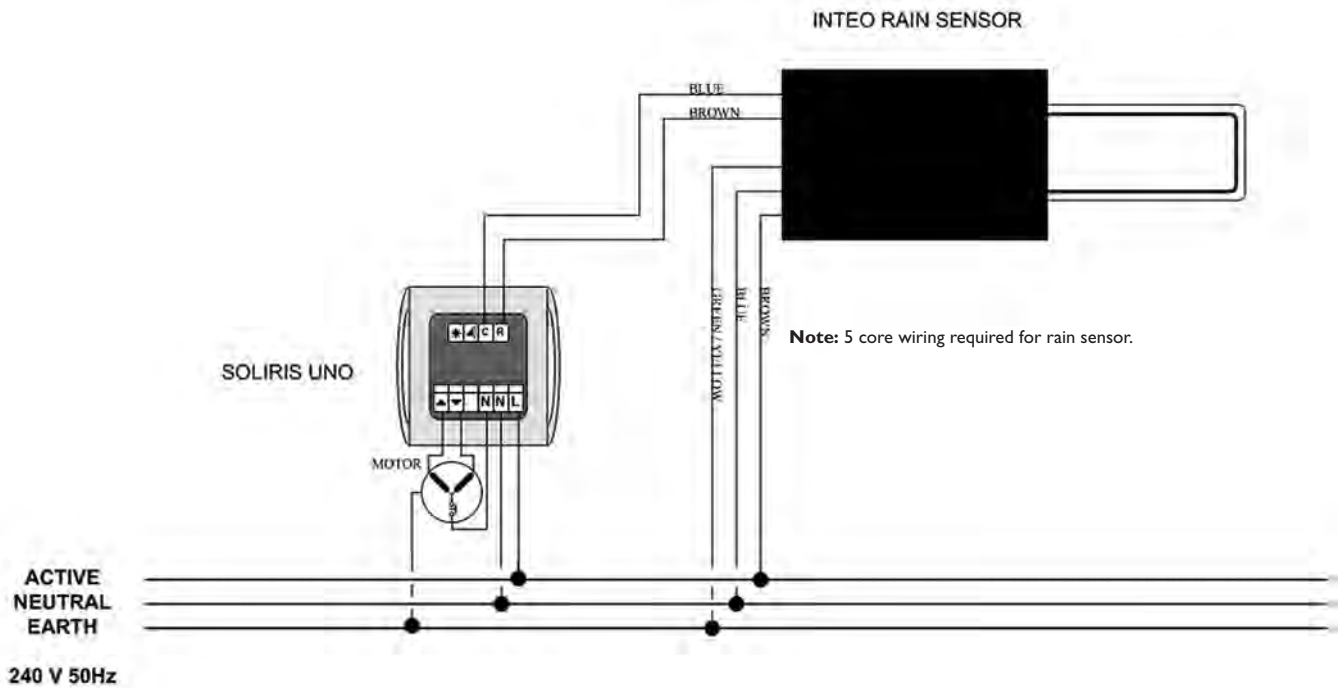
TYPICAL DETAIL // DRAWING 2



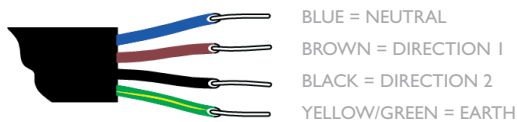
2) DW Individual & Automatic (rain sensor) Control One Panel



TYPICAL DETAIL // DRAWING 2



DIRECT WIRING CABLING // STANDARD SOMFY LS40 & LT50 MOTORS OR RODEO 240V ROD ACTUATORS

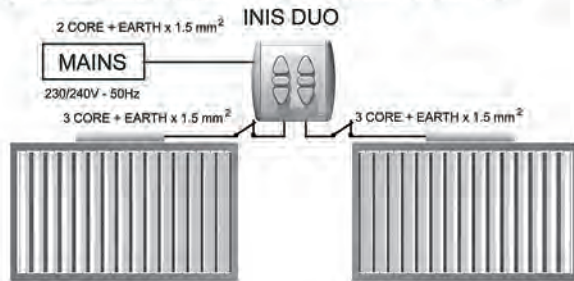


Wiring	4 core double insulated heavy duty flex 4 x 1.5mm
Voltage	230 - 240 / 50HZ
Rated Current	0.8 Amps
Current Consumption	170 Watts

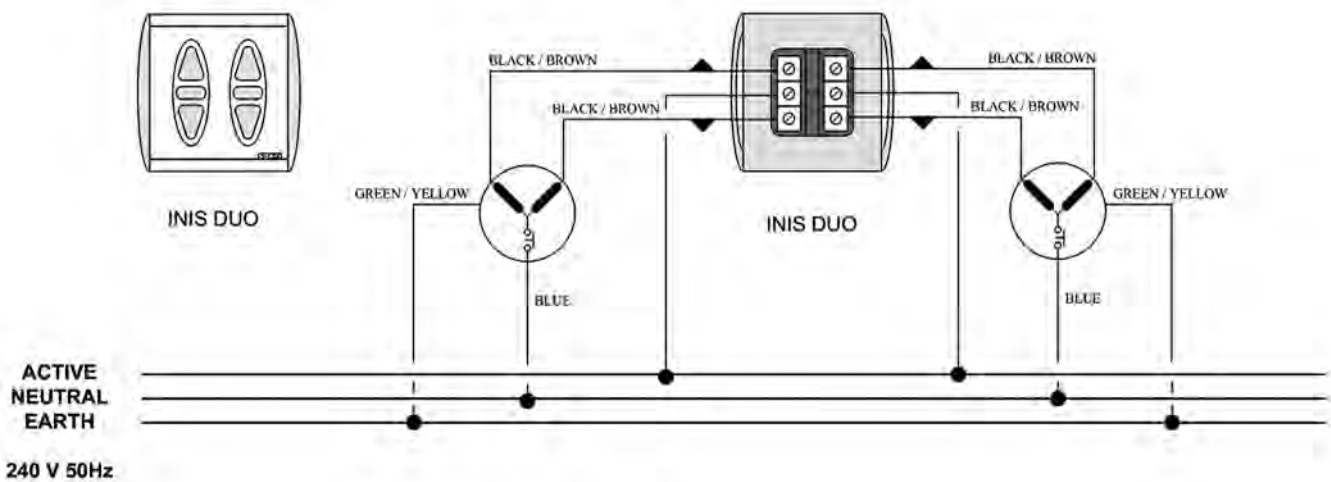
TYPICAL DETAIL // DRAWING 3



3) DW Individual Switch with Dual Control One Panel



TYPICAL DETAIL // DRAWING 3



DIRECT WIRING CABLING // STANDARD SOMFY LS40 & LT50 MOTORS OR RODEO 240V ROD ACTUATORS



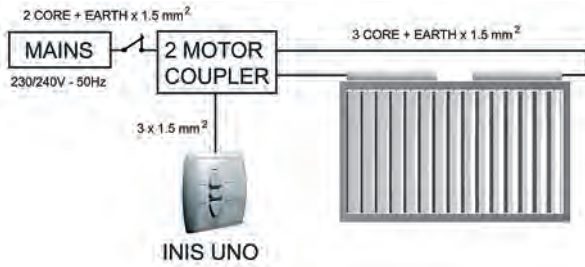
BLUE = NEUTRAL
 BROWN = DIRECTION 1
 BLACK = DIRECTION 2
 YELLOW/GREEN = EARTH

Wiring	4 core double insulated heavy duty flex 4 x 1.5mm
Voltage	230 - 240 / 50HZ
Rated Current	0.8 Amps
Current Consumption	170 Watts

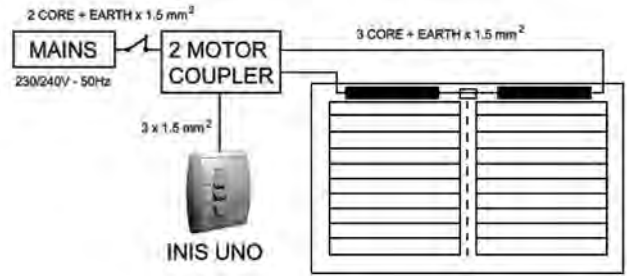
TYPICAL DETAIL // DRAWING 4



Drawing 4.1 // DW Individual Control; One Panel with two synchronised motors for large panels

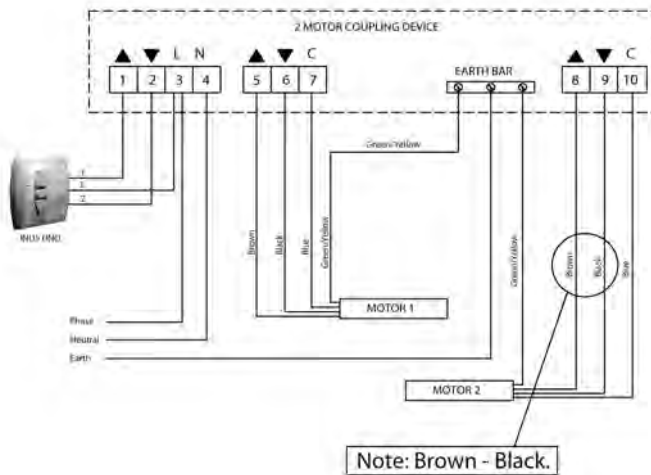


Drawing 4.2 // DW Individual Control; One Panel with two synchronised motors for large panels



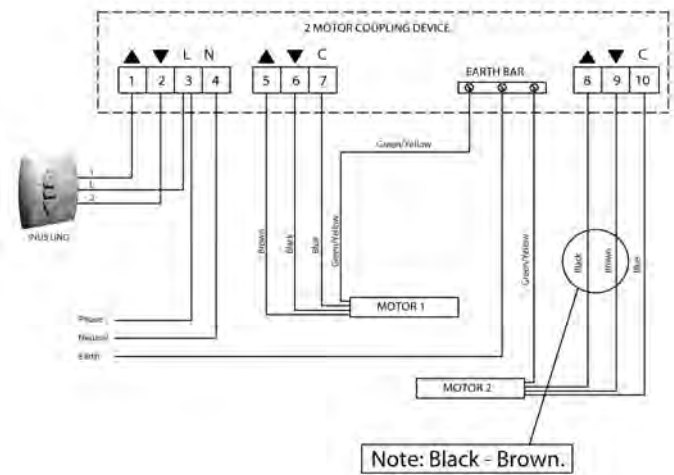
TYPICAL DETAIL // DRAWING 4.1

Note: Louvre panel with two motors synchronised on a single axel. Motor tails must face away from each other.



TYPICAL DETAIL // DRAWING 4.2

Note: Louvre panel with two motors synchronised on a dual axel with top dual drive gearbox. Motor tails must face away from each other.



DIRECT WIRING CABLING // STANDARD SOMFY LS40 & LT50 MOTORS



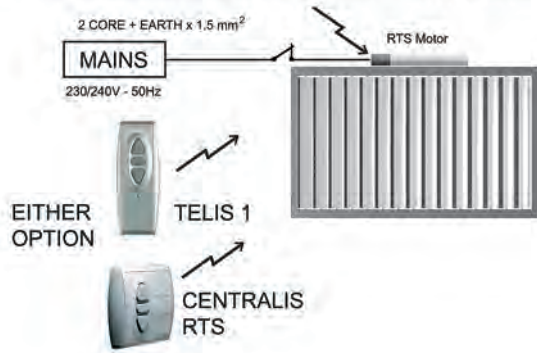
- BLUE = NEUTRAL
- BROWN = DIRECTION 1
- BLACK = DIRECTION 2
- YELLOW/GREEN = EARTH

Wiring	4 core double insulated heavy duty flex 4 x 1.5mm
Voltage	230 - 240 / 50HZ
Rated Current	0.8 Amps
Current Consumption	170 Watts

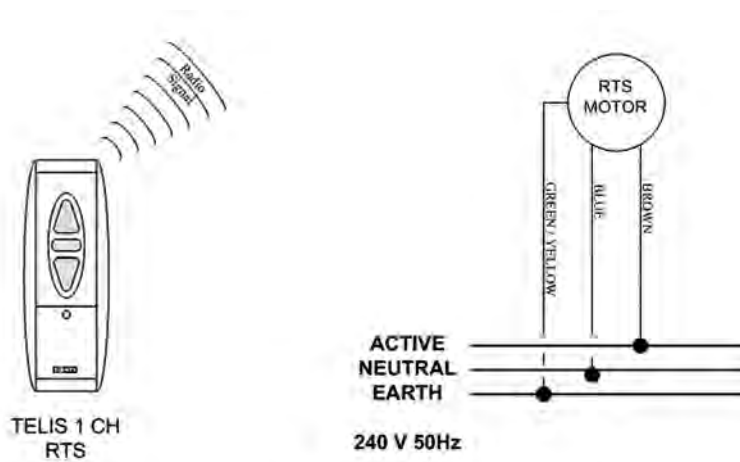
TYPICAL DETAIL // RTS I



1) RTS Individual Remote Control with Altus RTS Motor



TYPICAL DETAIL // RTS I

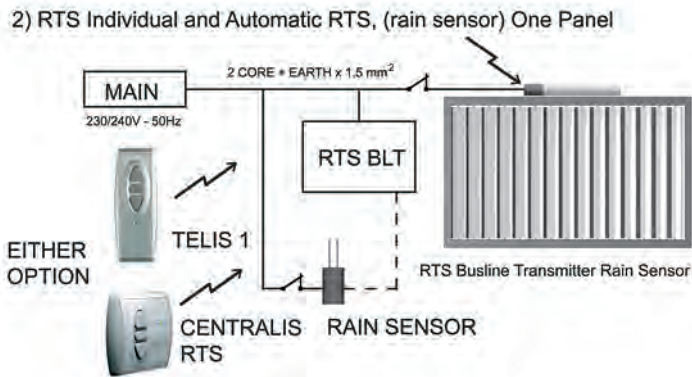


DIRECT WIRING CABLING // SOMFY ALTUS 40 & 50 RTS MOTORS
 MOTORS INTEGRATED WITH RADIO RECEIVER

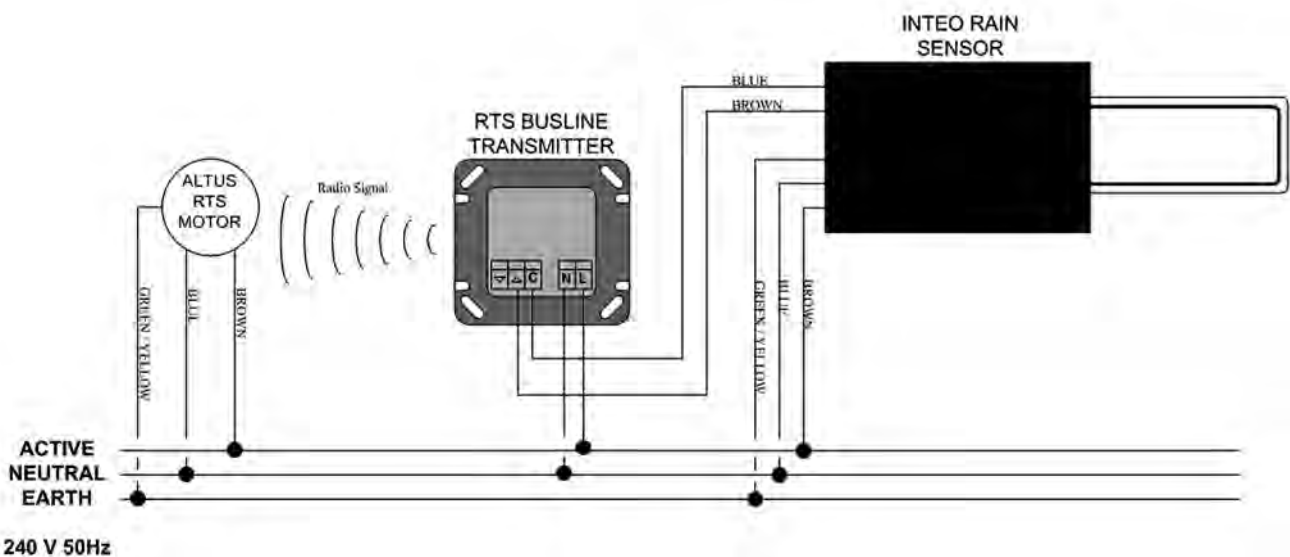


Wiring	3 core double insulated heavy duty flex 3 x 1.5mm
Voltage	230 - 240 / 50HZ
Rated Current	0.8 Amps
Current Consumption	170 Watts

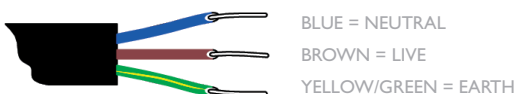
TYPICAL DETAIL // RTS 2



TYPICAL DETAIL // RTS 2



DIRECT WIRING CABLING // SOMFY ALTUS 40 & 50 RTS MOTORS
MOTORS INTEGRATED WITH RADIO RECEIVER

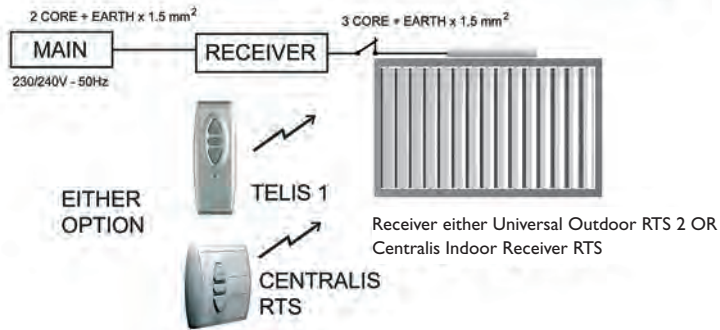


Wiring	3 core double insulated heavy duty flex 3 x 1.5mm
Voltage	230 - 240 / 50HZ
Rated Current	0.8 Amps
Current Consumption	170 Watts

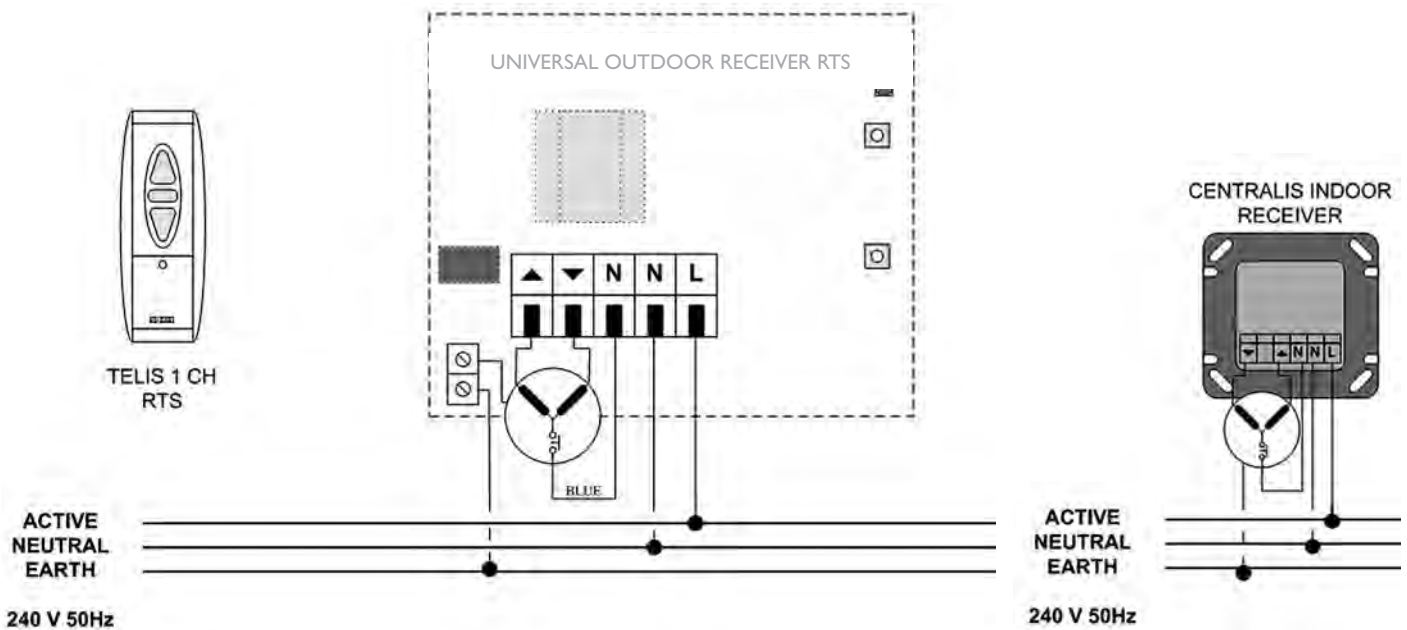
TYPICAL DETAIL // RTS 3



3) RTS Individual Control, standard motor with separate RTS Receiver



TYPICAL DETAIL // RTS 3

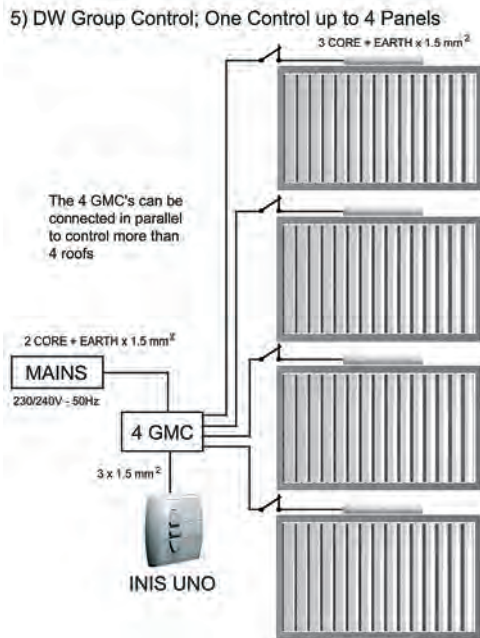


DIRECT WIRING CABLING // STANDARD SOMFY LS40 & LT50 MOTORS OR RODEO 240V ROD ACTUATORS
MOTORS INTEGRATED WITH RADIO RECEIVER

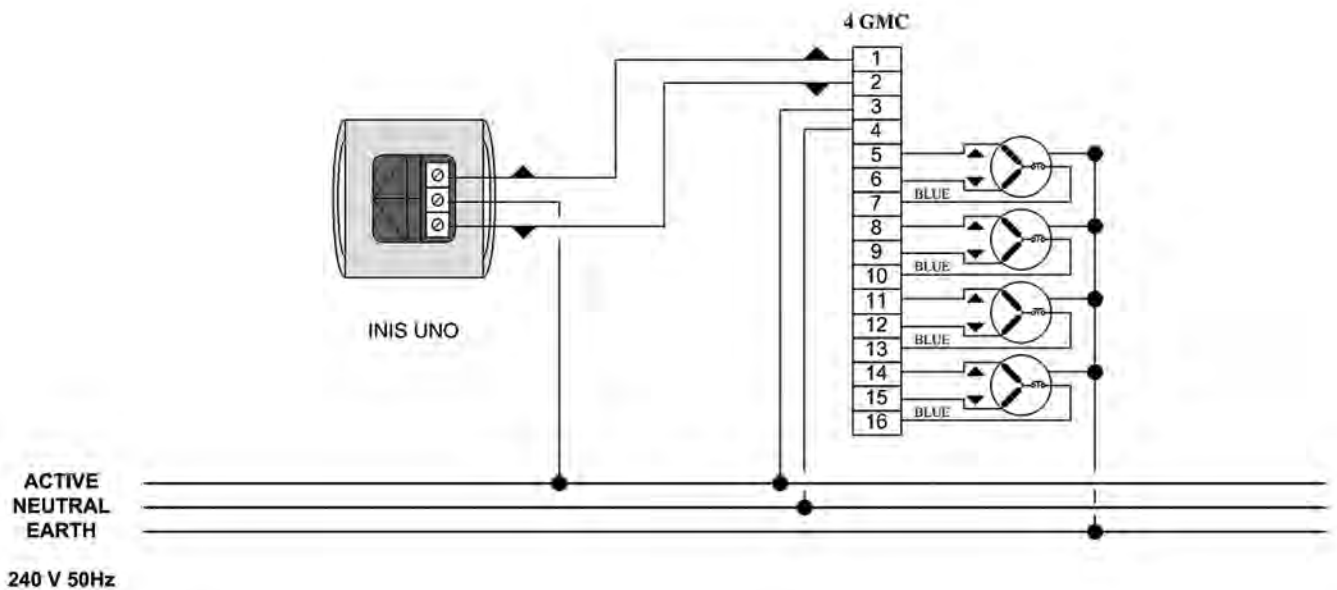


Wiring	3 core double insulated heavy duty flex 3 x 1.5mm
Voltage	230 - 240 / 50HZ
Rated Current	0.8 Amps
Current Consumption	170 Watts

TYPICAL DETAIL // DRAWING 5



TYPICAL DETAIL // DRAWING 5



DIRECT WIRING CABLING // STANDARD SOMFY LS40 & LT50 MOTORS OR RODEO 240V ROD ACTUATORS



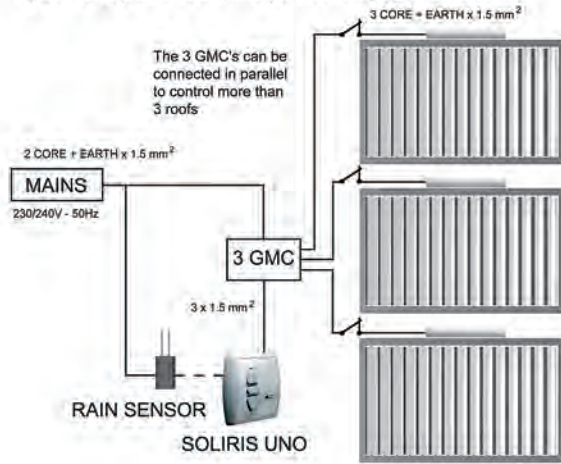
BLUE = NEUTRAL
BROWN = DIRECTION 1
BLACK = DIRECTION 2
YELLOW/GREEN = EARTH

Wiring	4 core double insulated heavy duty flex 4 x 1.5mm
Voltage	230 - 240 / 50HZ
Rated Current	0.8 Amps
Current Consumption	170 Watts

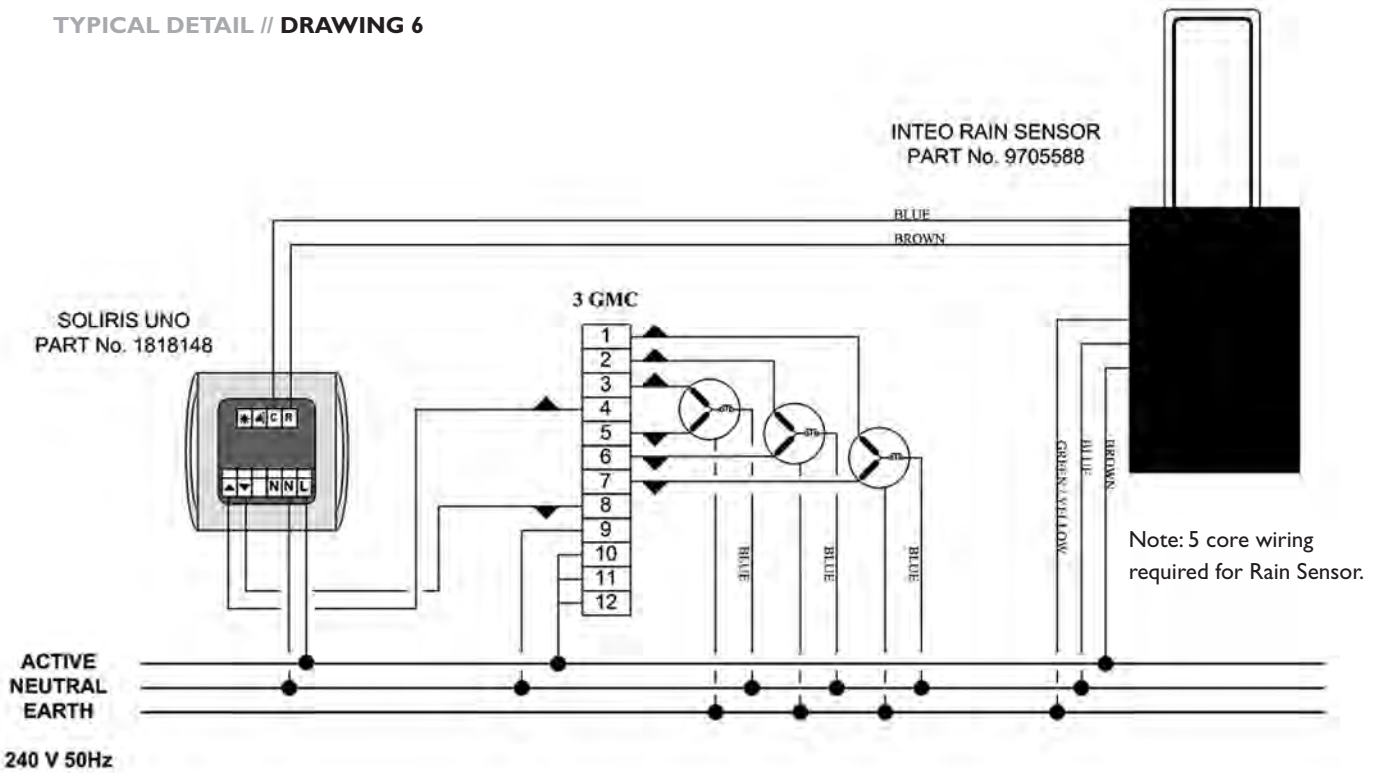
TYPICAL DETAIL // DRAWING 6



6) DW Group and Automatic (rain sensor) up to 3 Panels



TYPICAL DETAIL // DRAWING 6



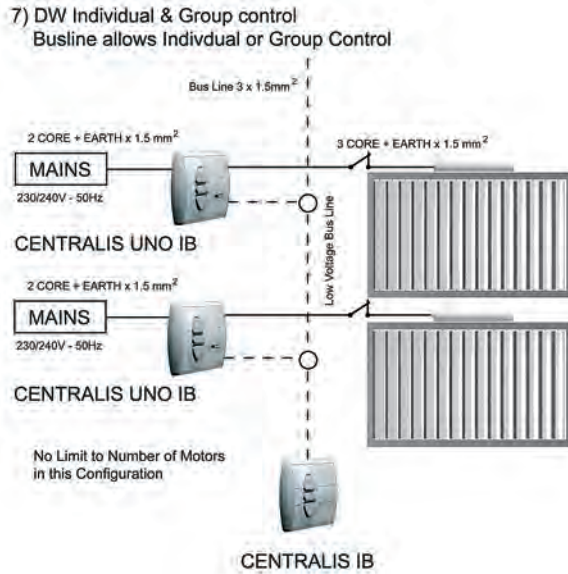
DIRECT WIRING CABLING // STANDARD SOMFY LS40 & LT50 MOTORS OR RODEO 240V ROD ACTUATORS



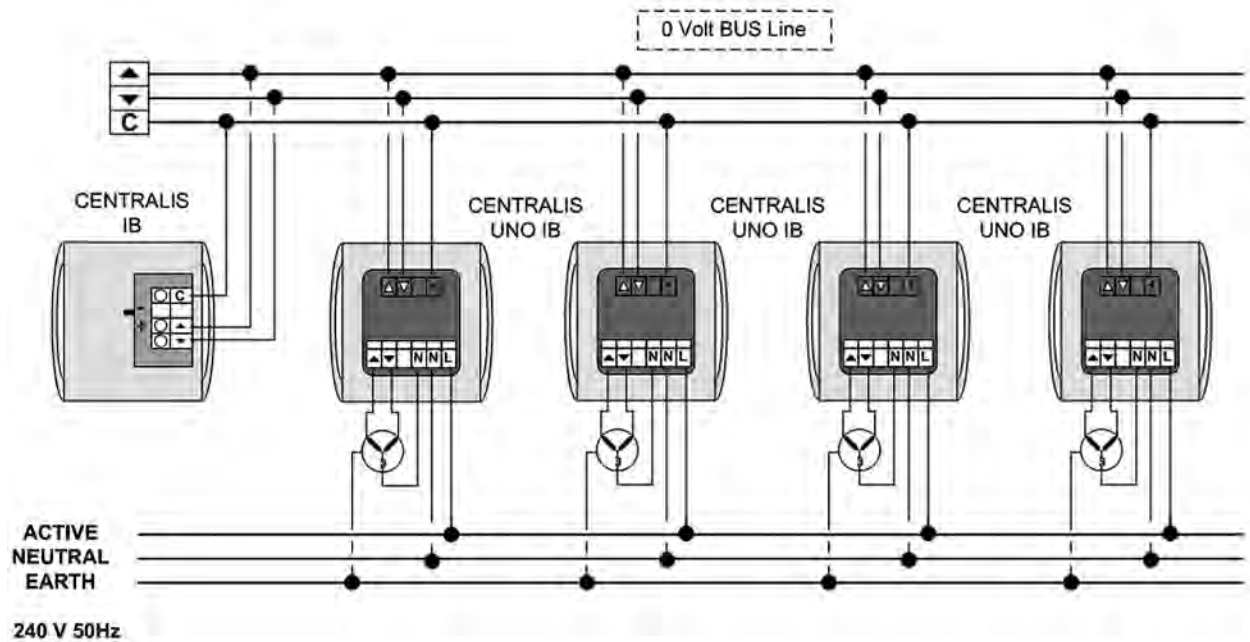
BLUE = NEUTRAL
 BROWN = DIRECTION 1
 BLACK = DIRECTION 2
 YELLOW/GREEN = EARTH

Wiring	4 core double insulated heavy duty flex 4 x 1.5mm
Voltage	230 - 240 / 50HZ
Rated Current	0.8 Amps
Current Consumption	170 Watts

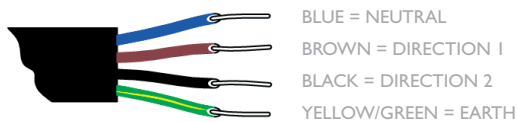
TYPICAL DETAIL // DRAWING 7



TYPICAL DETAIL // DRAWING 7



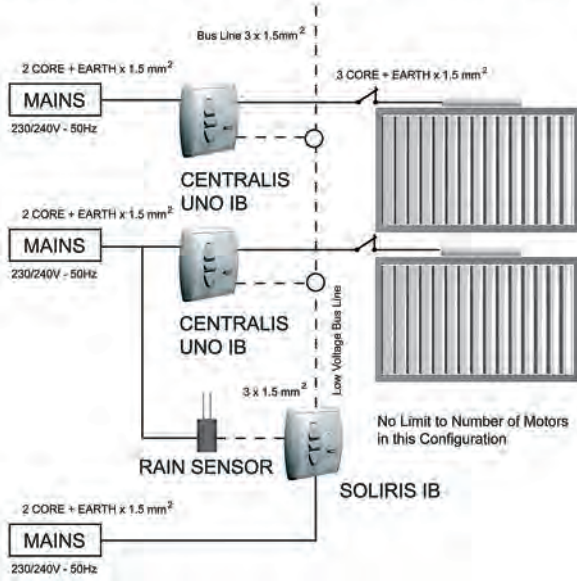
DIRECT WIRING CABLING // STANDARD SOMFY LS40 & LT50 MOTORS OR RODEO 240V ROD ACTUATORS



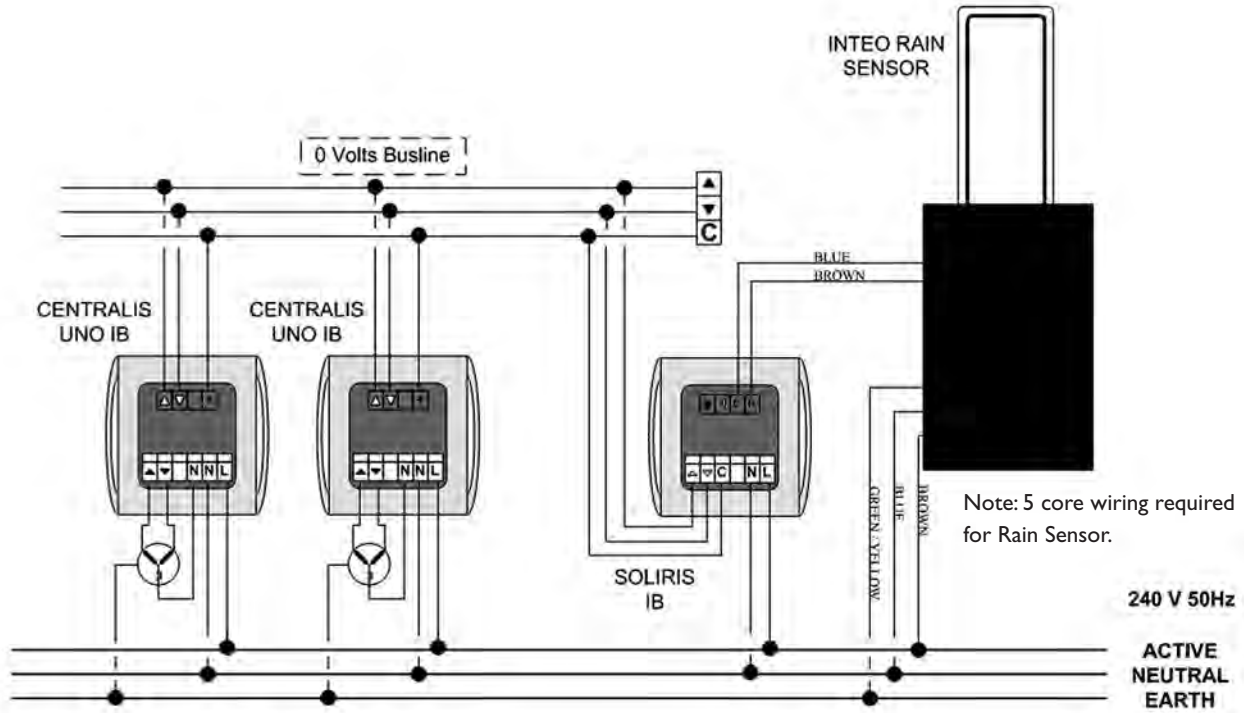
Wiring	4 core double insulated heavy duty flex 4 x 1.5mm
Voltage	230 - 240 / 50HZ
Rated Current	0.8 Amps
Current Consumption	170 Watts

TYPICAL DETAIL // DRAWING 8

8) DW Individual, Group and Automatic (rain sensor) Control via Busline



DRAWING 8



Note: 5 core wiring required for Rain Sensor.

DIRECT WIRING CABLING // STANDARD SOMFY LS40 & LT50 MOTORS OR RODEO 240V ROD ACTUATORS

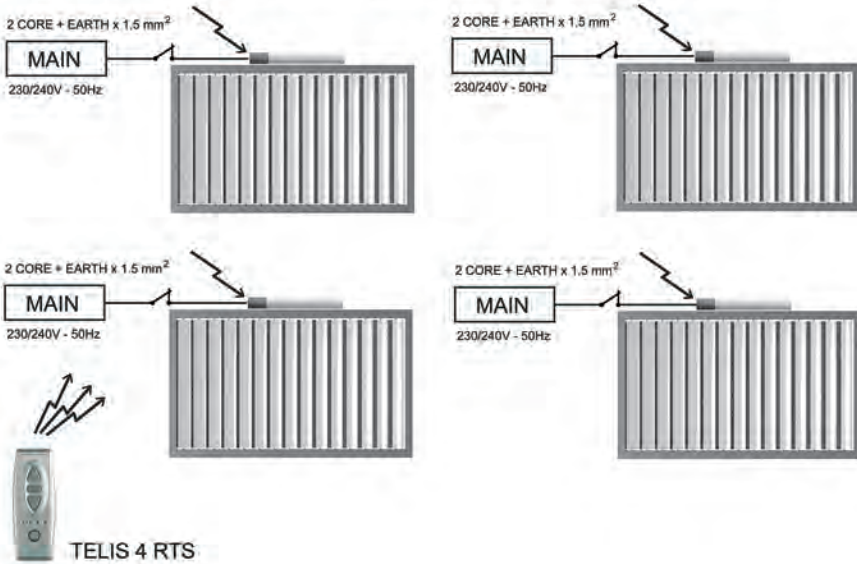


BLUE = NEUTRAL
 BROWN = DIRECTION 1
 BLACK = DIRECTION 2
 YELLOW/GREEN = EARTH

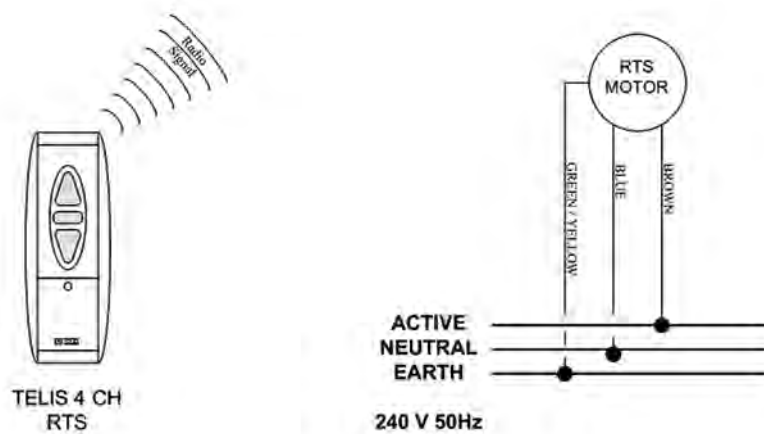
Wiring	4 core double insulated heavy duty flex 4 x 1.5mm
Voltage	230 - 240 / 50HZ
Rated Current	0.8 Amps
Current Consumption	170 Watts

TYPICAL DETAIL // RTS 4

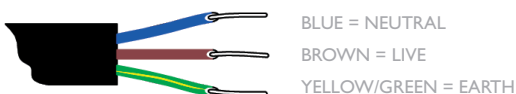
4) RTS Individual and Group Control - Up to 4 Motors Individually or in a Group



TYPICAL DETAIL // RTS 4



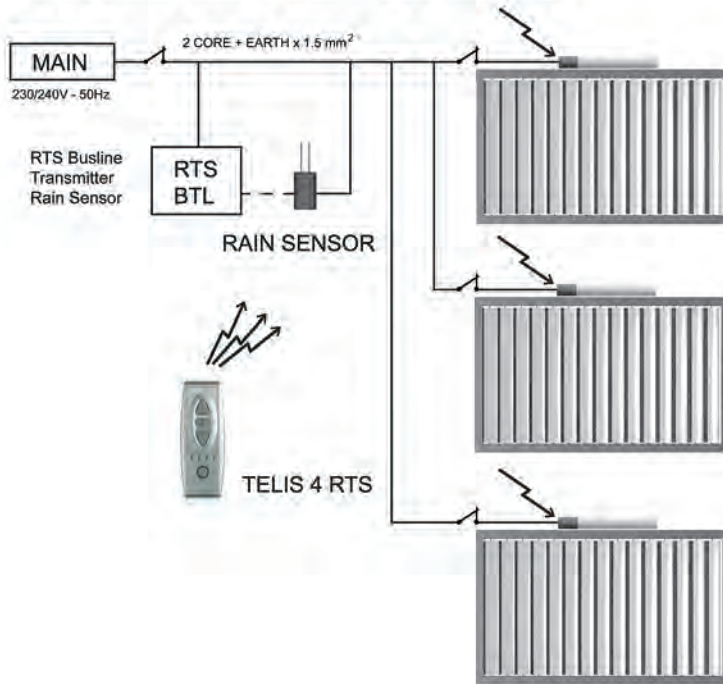
DIRECT WIRING CABLING // SOMFY ALTUS 40 & 50 RTS MOTORS
MOTORS INTEGRATED WITH RADIO RECEIVER



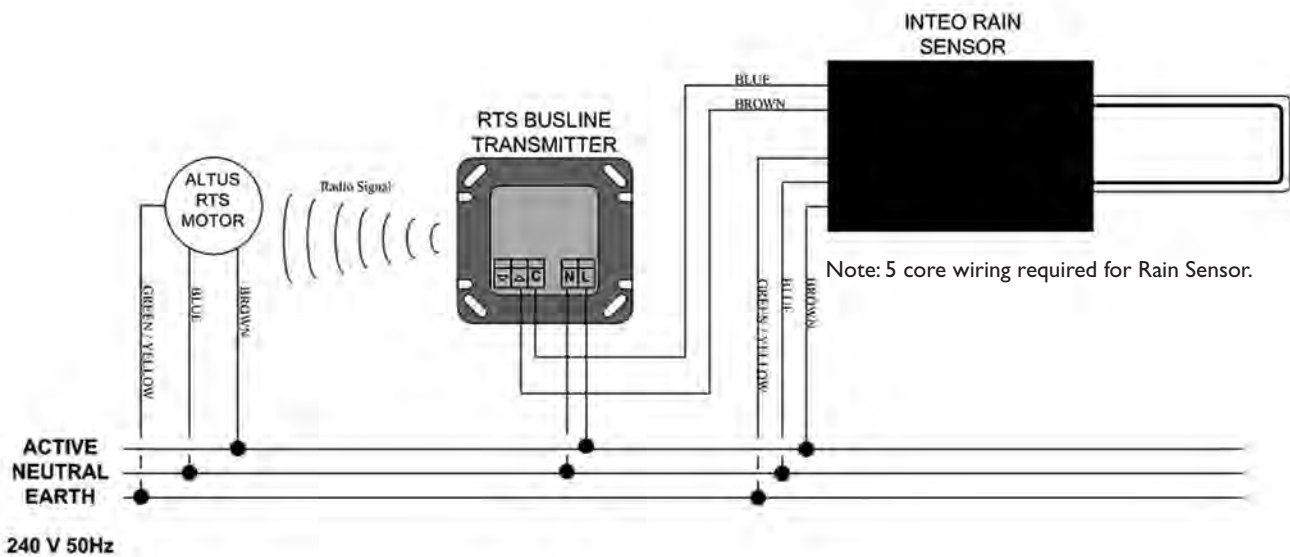
Wiring	3 core double insulated heavy duty flex 3 x 1.5mm
Voltage	230 - 240 / 50HZ
Rated Current	0.8 Amps
Current Consumption	170 Watts

TYPICAL DETAIL // RTS 5

5) RTS Individual, Group & Automatic Control - Up to 4 Motors Individually, or in a Multiple Group, or Close only with Rain Sensor



TYPICAL DETAIL // RTS 5



DIRECT WIRING CABLING // SOMFY ALTUS 40 & 50 RTS MOTORS

MOTORS INTEGRATED WITH RADIO RECEIVER



Wiring	3 core double insulated heavy duty flex 3 x 1.5mm
Voltage	230 - 240 / 50HZ
Rated Current	0.8 Amps
Current Consumption	170 Watts