

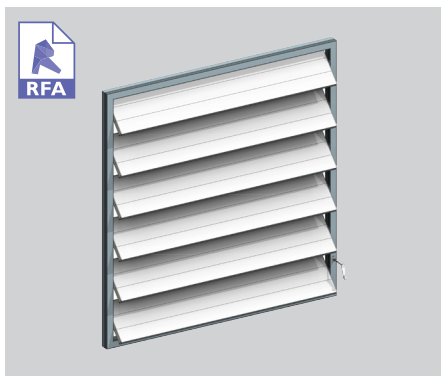
PRODUCT OVERVIEW RL 450 SQUARE LOUVRE



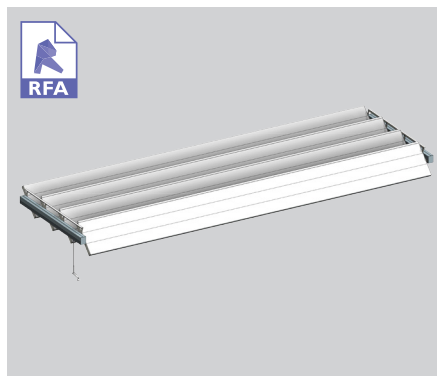
# RL 450 SQUARE LOUVRE

rectangular louvre

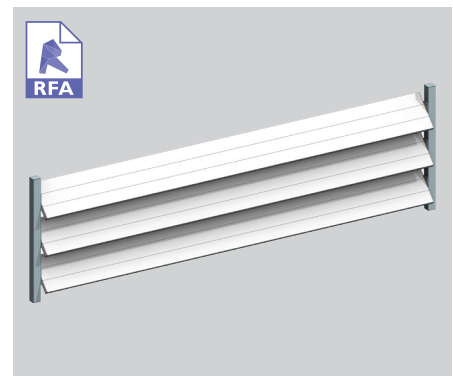
Introducing Louvretec's new range of Rectangular Louvres (RL). The RL 450 Square is one of six large rectangular shaped louvres designed to meet demand for large custom louvre systems. Two blade shapes are available - the traditional square end or mitred to a 7° angle as per its partner blade the RL 450 Mitre (see over pg). Both RL 450 louvres can be Maxi-Drive motorised, end or bracket fixed. The specific design and engineering of the Maxi-Drive, end & bracket fixing systems ensures a clean, uncluttered appearance & outstanding spanning capabilities. For both commercial and residential applications.



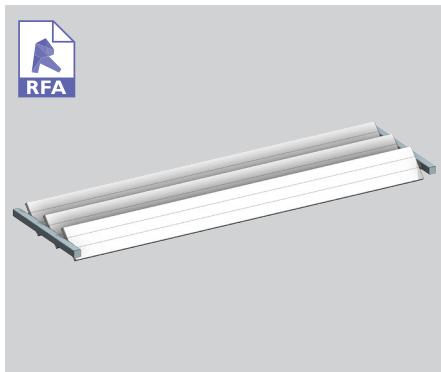
OPERABLE OPTION - MAXI-DRIVE PIVOT SYSTEM



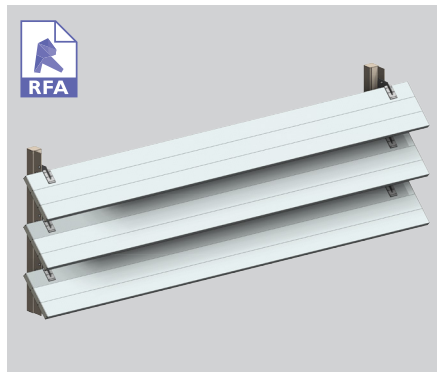
OPERABLE OPTION - MAXI-DRIVE PIVOT SYSTEM HAND OP.



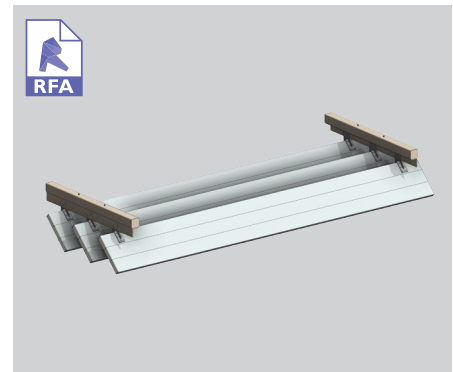
END FIXED - VERTICAL PANEL



END FIXED - HORIZONTAL OVERHEAD



BRACKET FIXED - VERTICAL PANEL



BRACKET FIXED - HORIZONTAL OVERHEAD PANEL

SURFACE COATINGS

A wide range of options are available.



ANODISED



WOOD FINISH



POWDERCOATED

OPERATING THIS SUN LOUVRE - THE CHOICE IS YOURS

Fixed options

Operable systems



LOUVRETEC GEARBOX



HOME MOTION by **somfy**

MOTORS AND SENSORS