

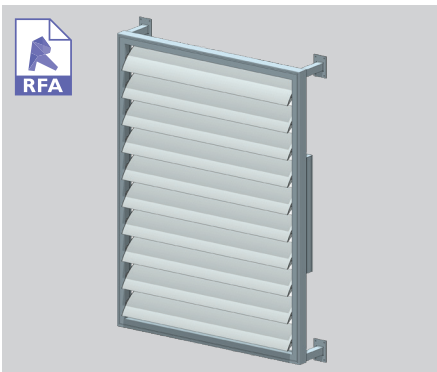
200MM MAXI LOUVRE

most specified maxi louvre

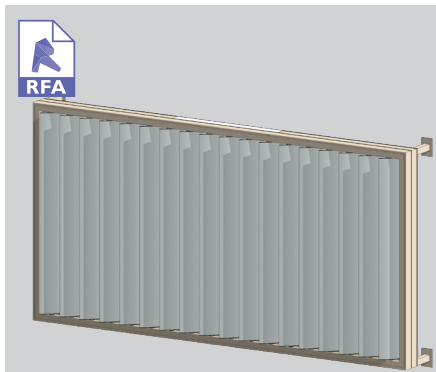
The 200mm Maxi louvre is the smallest in the Maxi Louvre range. It is also one of Louvretec's most specified louvres.

Popular for both commercial and residential use it is available in motorised or hand operable Spiral Pivot, end or bracket fixed, horizontal or overhead panels.

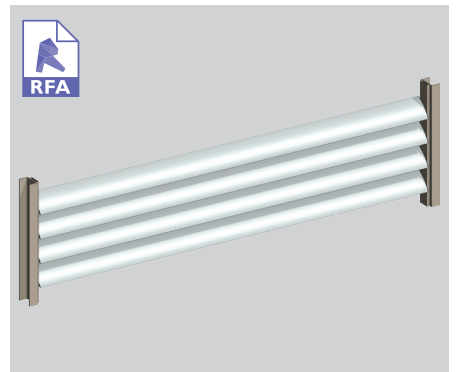
Ideal for shade, shelter, adjustable privacy - the wide spanning capabilities and elegant lines cover a wide range of installation options.



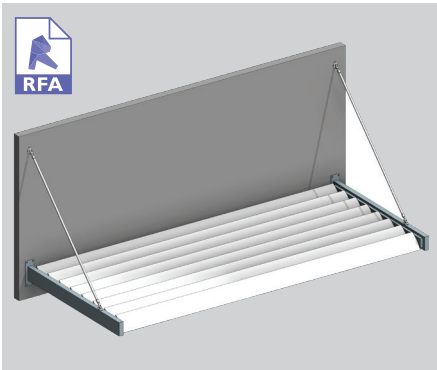
ELAM STREET STRUCTURAL FRAME FRAME - HORIZONTAL



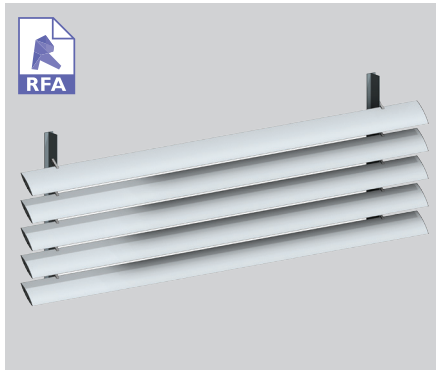
SUPER ELAM STREET STRUCTURAL FRAME WITH SUB-FRAME



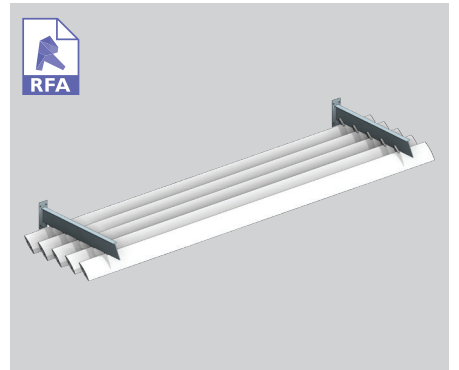
END FIXED - VERTICAL PANELS



END FIXED - OVERHEAD PANEL



BRACKET FIXED - VERTICAL PANEL



BRACKET FIXED - OVERHEAD PANEL

SURFACE COATINGS

A wide range of options are available.



ANODISED



WOOD FINISH



POWDERCOATED

OPERATING THIS SUN LOUVRE SYSTEM - THE CHOICE IS YOURS

Fixed options

Operable systems



LOUVRETEC GEARBOX



MOTORS AND SENSORS