

PRODUCT OVERVIEW COASTAL 250 TOP HUNG SLIDING SHUTTER AND WINDOW



COASTAL 250 TOP HUNG SLIDING SHUTTER & WINDOW

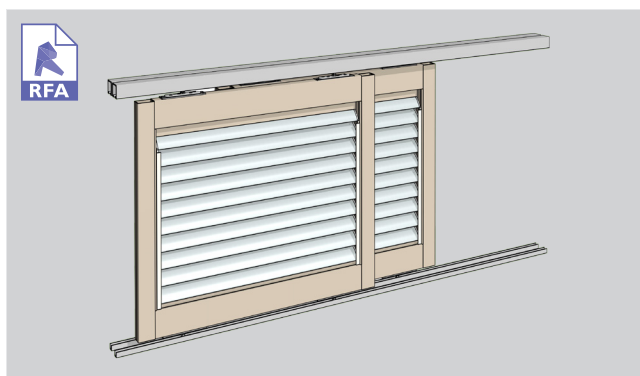
external shutters

Heavy duty Coastal 250 sliders are designed for top hung sliding windows and doors weighing up to a maximum finished panel weight of 250kg.

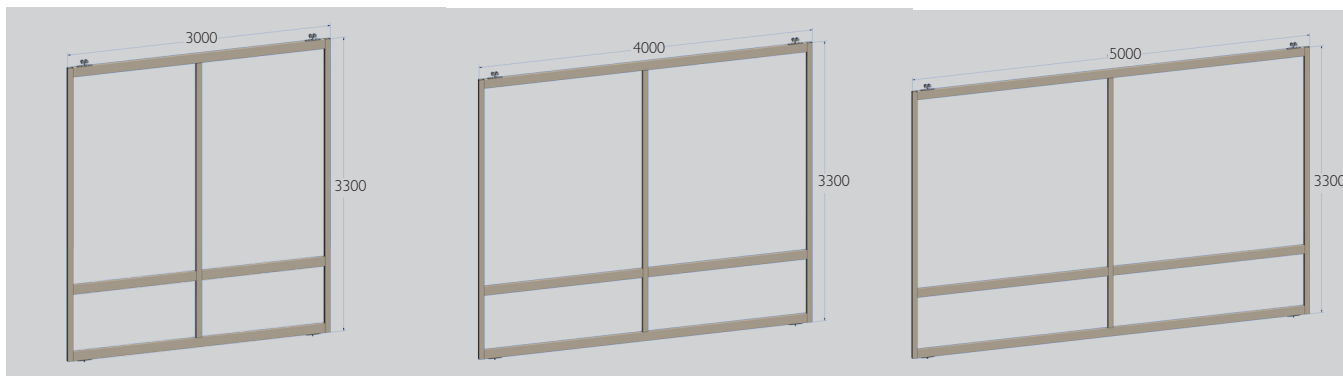
Typically allow between 12kg-14kg per sqm when calculating weight of slider. Larger panel sliders may require additional mullion and be subject to approved engineering to suit wind zone. Contact Louvretec regarding structural design of panel.



COASTAL 250 TOP HUNG SLIDING SHUTTER



COASTAL 250 TOP HUNG TWO PANEL SLIDER



GUIDELINES AT A GLANCE - MAXIMUM PANEL SIZES

SURFACE COATINGS

A wide range of options are available.



ANODISED



WOOD FINISH



POWDERCOATED

OPERATING YOUR SHUTTER INFILLS - THE CHOICE IS YOURS

Fixed options



Hand Operable systems

