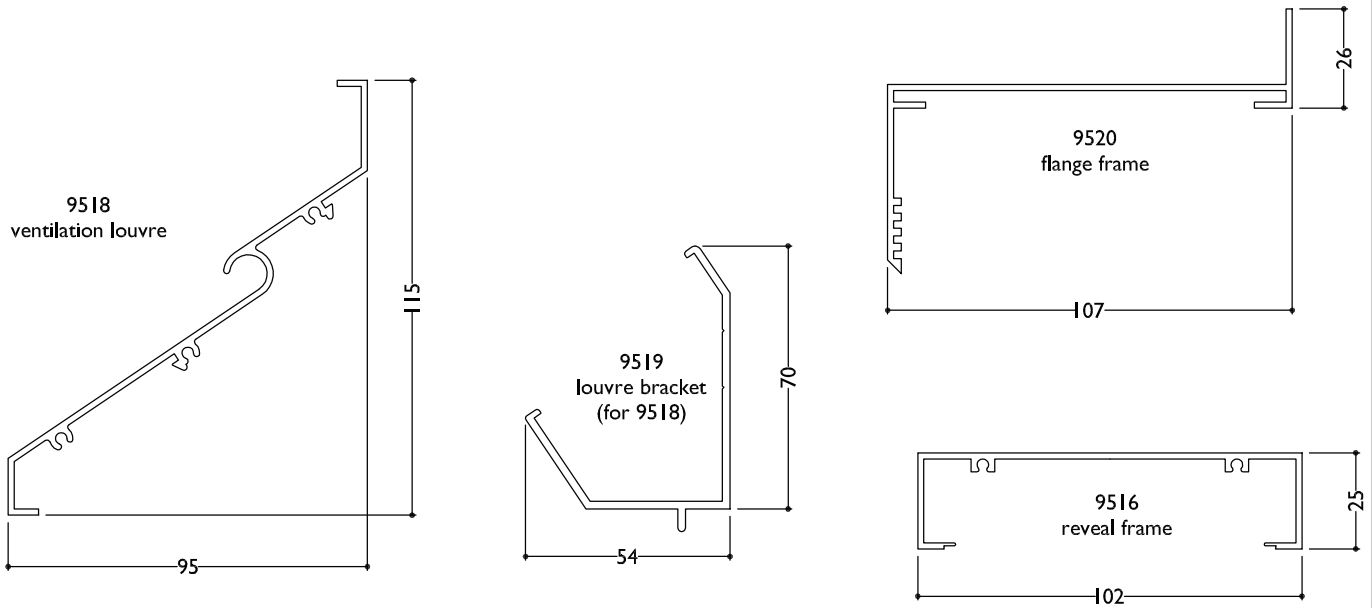


VENTILATION LOUVRES AND ASSOCIATED EXTRUSIONS



PLEASE NOTE:
AIR FLOW DATA IS NOT AVAILABLE FOR THESE LOUVRES

EXAMPLES OF OTHER LOUVRES
CHECK AVAILABILITY BEFORE SPECIFYING

