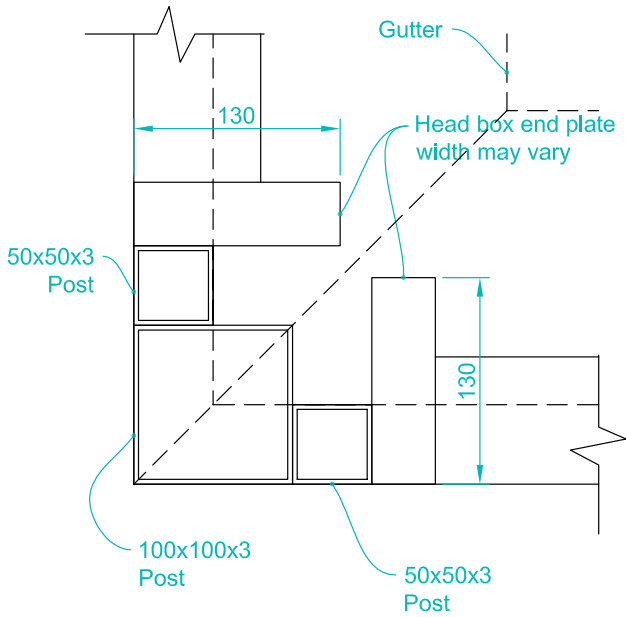
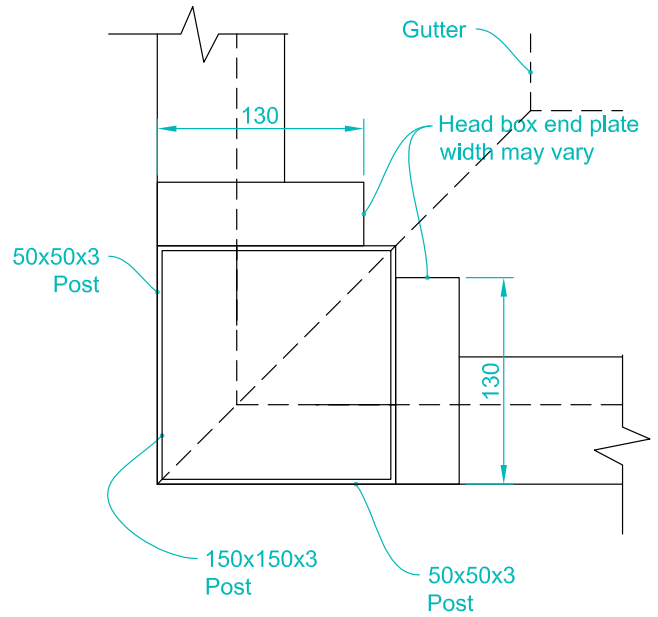


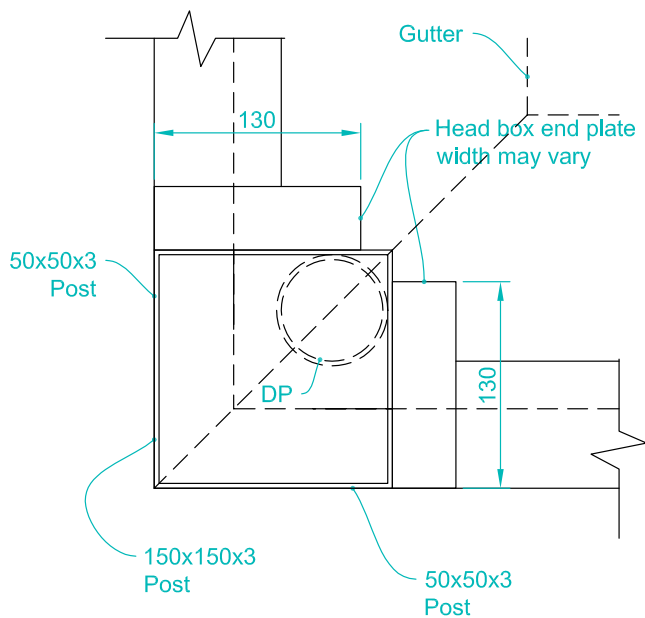
TYPICAL DETAIL : OFFSET DETAILS FOR HEADBOX END PLATE CLEARANCES / DOWNPIPE IN CORNER CLEARANCES



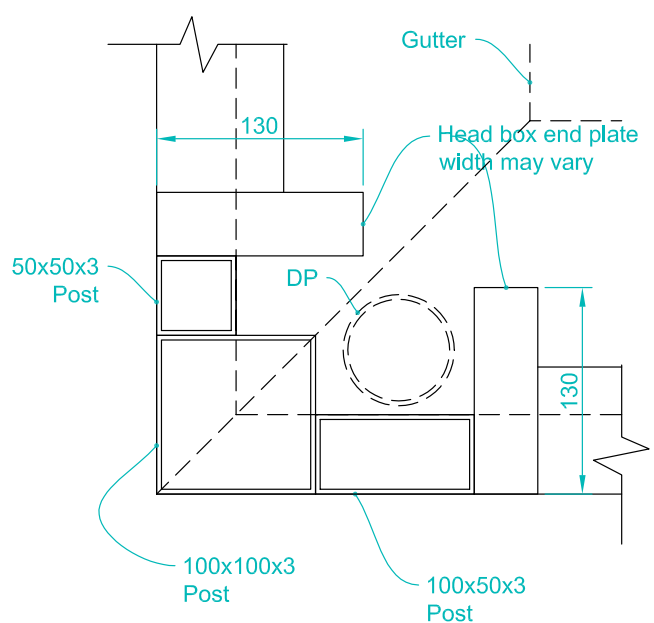
**Standard Offset Detail
PLAN VIEW
Option 1**



**150x150 Post Offset Detail
PLAN VIEW
Option 2**



**150x150 Post Including Down Pipe
Offset Detail
PLAN VIEW
Option 3**



**Down Pipe Offset Detail
PLAN VIEW
Option 4**