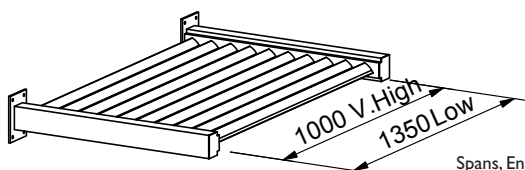


**TYPICAL DETAIL : END FIXED OVERHEAD SUN LOUVRES 70MM MINI & 90MM MIDI BLADES
SPANS AT A GLANCE**

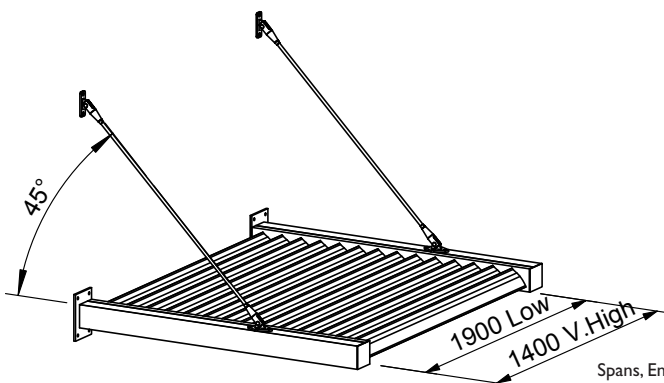


Free Span Example

Spans, End Fixed 70mm Mini Louvre.

CALCULATIONS FOR BLADE SPANS SHOW RANGE FROM

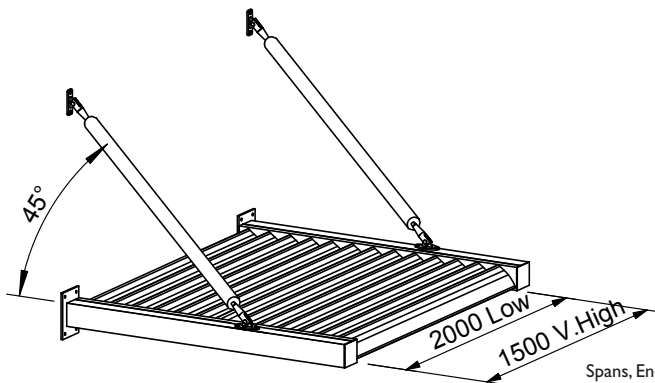
Low Wind Zone | 15km/h, 32m/s to
Extra High Wind Zone | 198km/h, 55m/s
Refer Engineering Details, Section 11



Ø20 SS Strut Support Example,
Strut at Optimum 45° angle.

Spans, End Fixed 70mm Mini Louvre.

KEY	
LF	= Free span
LS15	= Strut @ 15°
LS30	= Strut @ 30°
LS45	= Strut @ 45°
Plain Column:	
Low - Med Wind Zone.	
Up to 133Km/h - 37m/s	
Shaded Column:	
High - VHigh Wind Zone.	
Up to 179Km/h - 50m/s	



Ø42 SS Strut Support Example,
Strut at Optimum 45° angle.

Spans, End Fixed 90mm Midi Louvre.