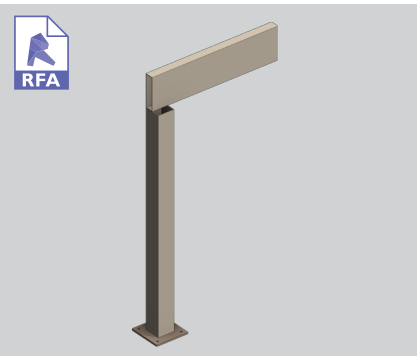


PRODUCT OVERVIEW STRUCTURAL FRAME BEAMS AND POSTS



THE LOUVRETEC STRUCTURAL FRAME

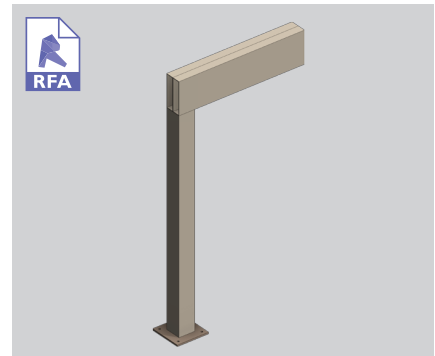
- The post and beam sizes are calculated and determined by wind speeds with loading factors applied to allow for uplift, down pressure and deflection
- Please refer section 11 - Engineering for full engineering and design data.
- For any queries please contact your nearest Louvretec Dealer.



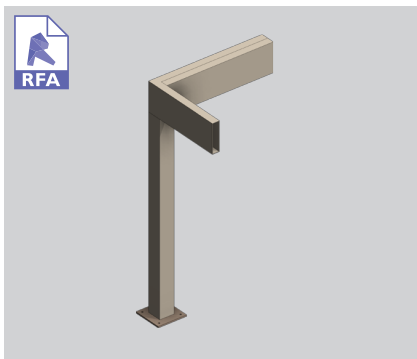
SINGLE BEAM



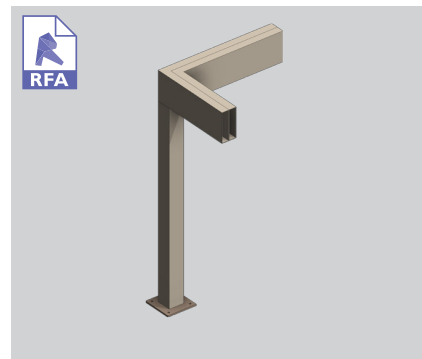
TWO SINGLE BEAMS, MITRED CORNER



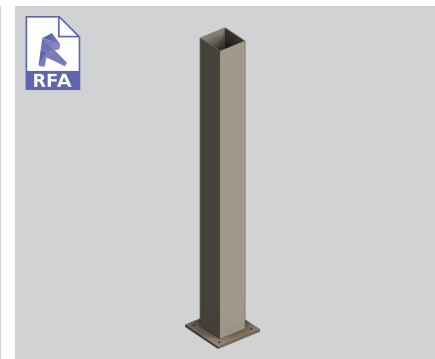
DOUBLE BEAM



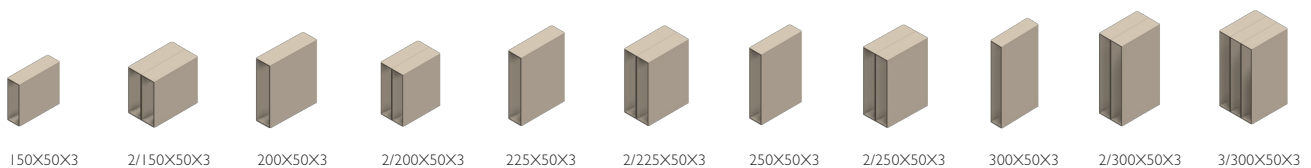
DOUBLE BEAM WITH SINGLE BEAM



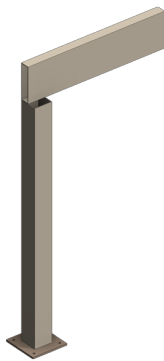
TWO DOUBLE BEAMS, MITRED CORNER



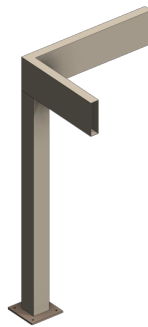
POST WITH BASE PLATE



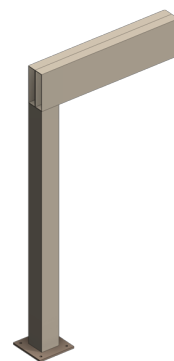
TYPICAL DETAIL 3D MODELS BEAM AND POST CONFIGURATIONS



Single Beam

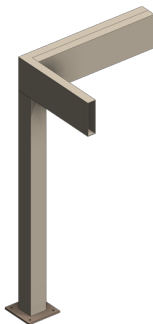


Two single Beams Mitred Corner

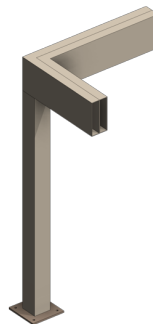


Double Beam

TYPICAL DETAIL 3D MODELS BEAM AND POST CONFIGURATIONS



Double Beam with Single Beam



Two double Beams Mitred Corner



Post with Base Plate