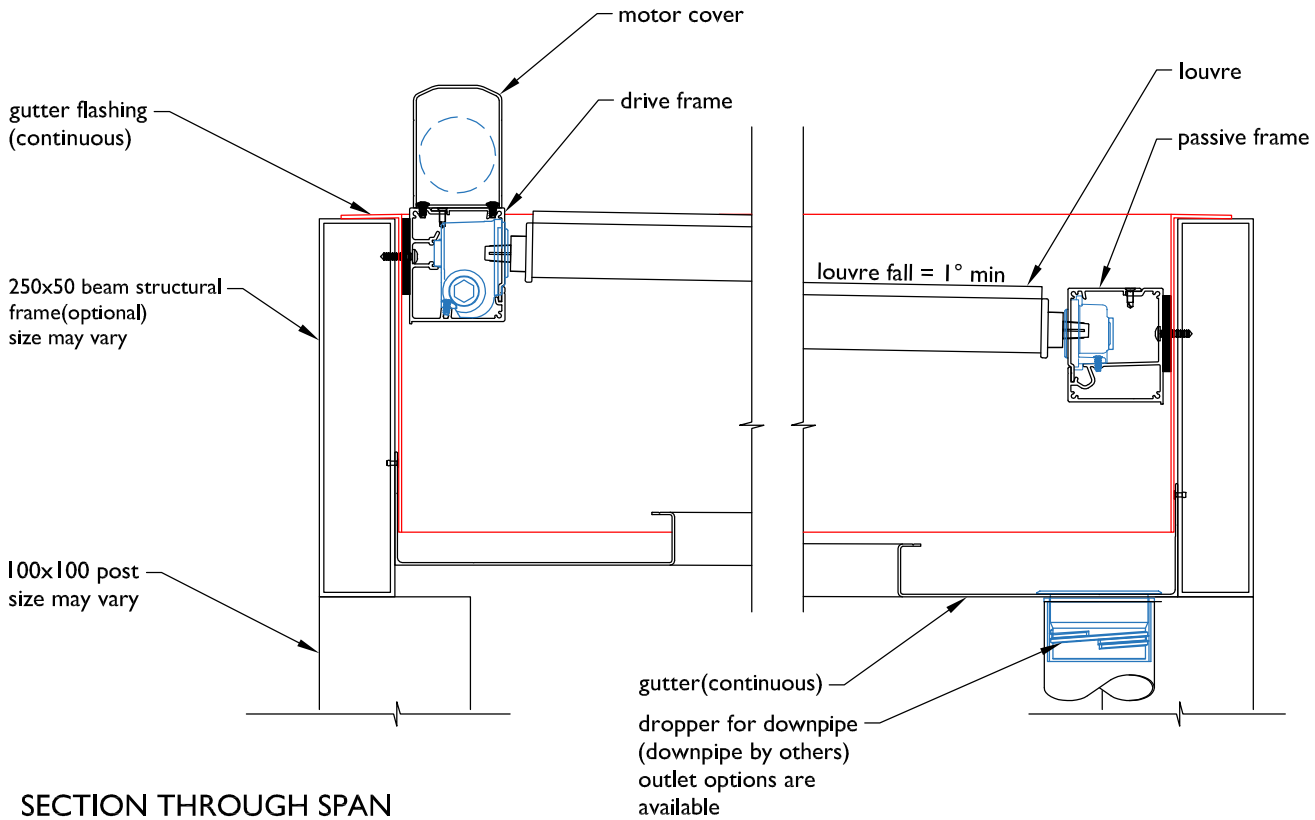
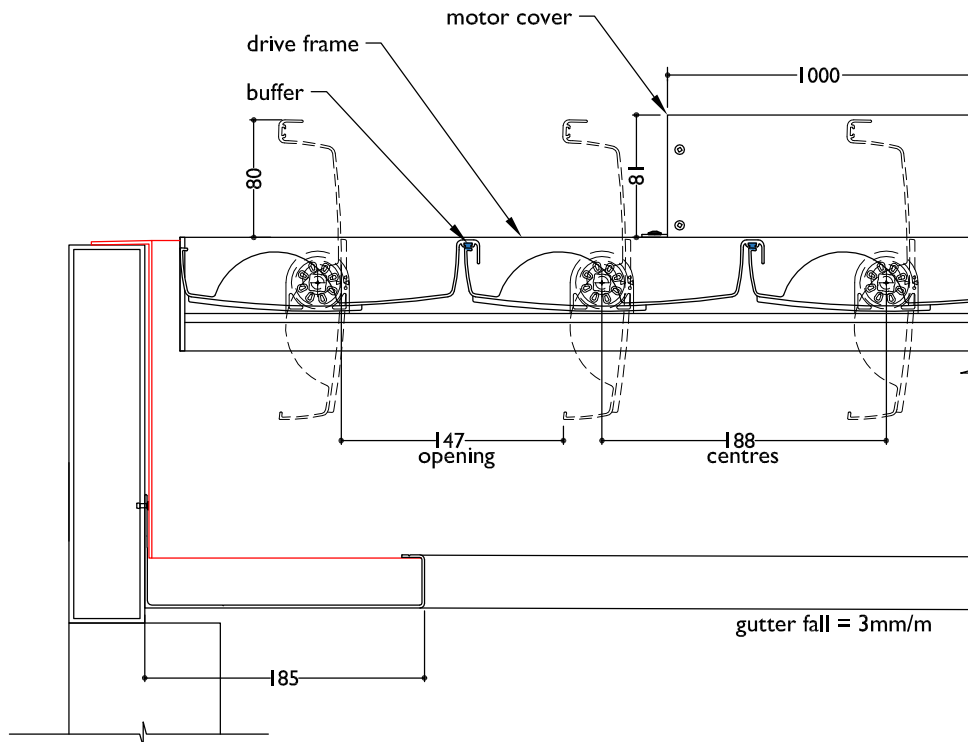


TYPICAL DETAIL - MOTORISED 200 SUBURBAN DIRECT OPENING ROOF within LOUVRETEC STRUCTURAL FRAME



SECTION THROUGH SPAN



SECTION THROUGH LOUVRES