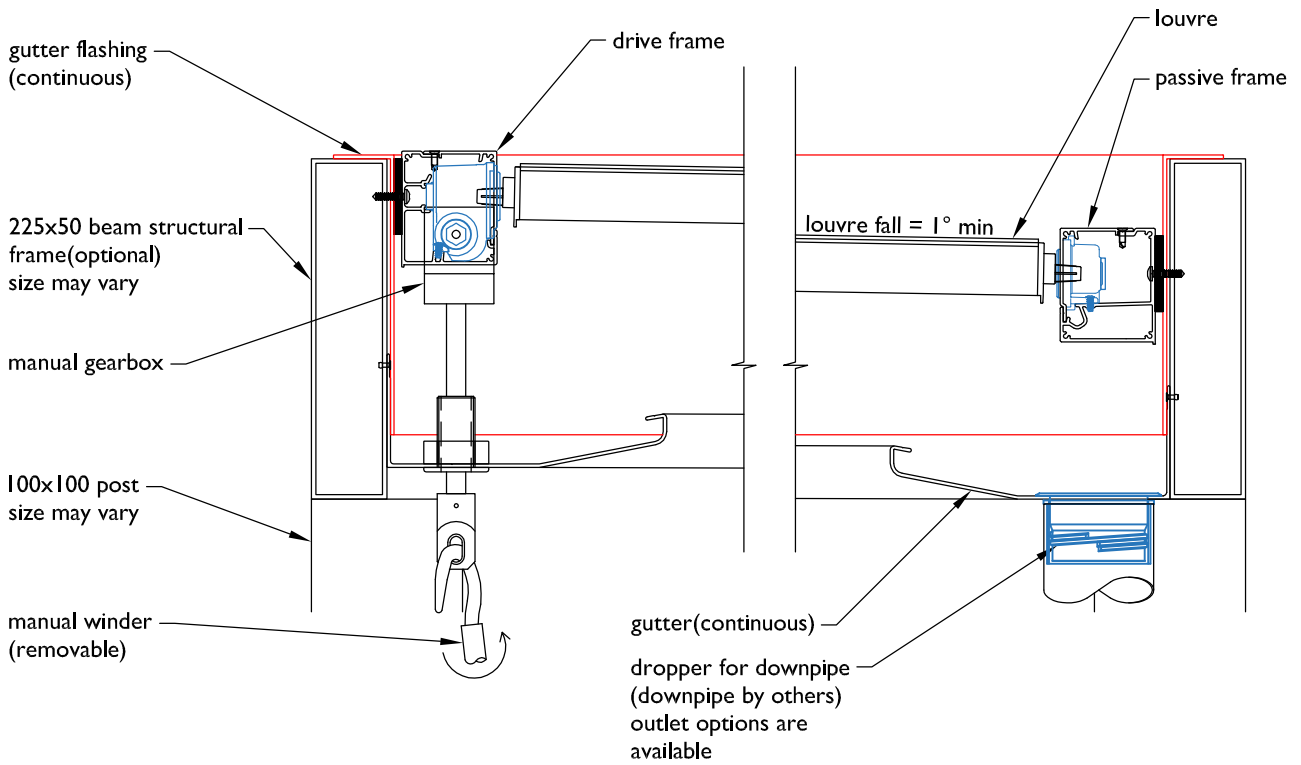


TYPICAL DETAIL : MANUAL 180 CLASSIC OPENING ROOF WITHIN LOUVRETEC STRUCTURAL FRAME

SECTION THROUGH SPAN



SECTION THROUGH LOUVRES

