



## NEW PRODUCTS

Pink® Batts® Skillion Roof  
Pink® Batts® 140mm Wall



## High performance insulation designed for New Zealand

Our Pink® Batts® Skillion Roof and Pink® Batts® 140mm Wall insulation products are:

- Designed for specific roof and wall cavities to ensure thermal performance in the New Zealand environment
- Available in a range of high performance R-values to meet New Zealand building code requirements
- BRANZ appraised, meets the requirements for 50 year durability under the New Zealand Building Code



COMFORT



COST SAVINGS



SUSTAINABILITY



PRODUCT SAFETY



HEALTHY LIVING



ASSURANCE

# Pink® Batts® Skillion Roof Insulation

## Application:

Restricted ventilation in skillion roof constructions can result in moisture build up. Pink® Batts® Skillion Roof insulation is specifically designed to increase ventilation clearances by 100%, while still maintaining a high R-value in:

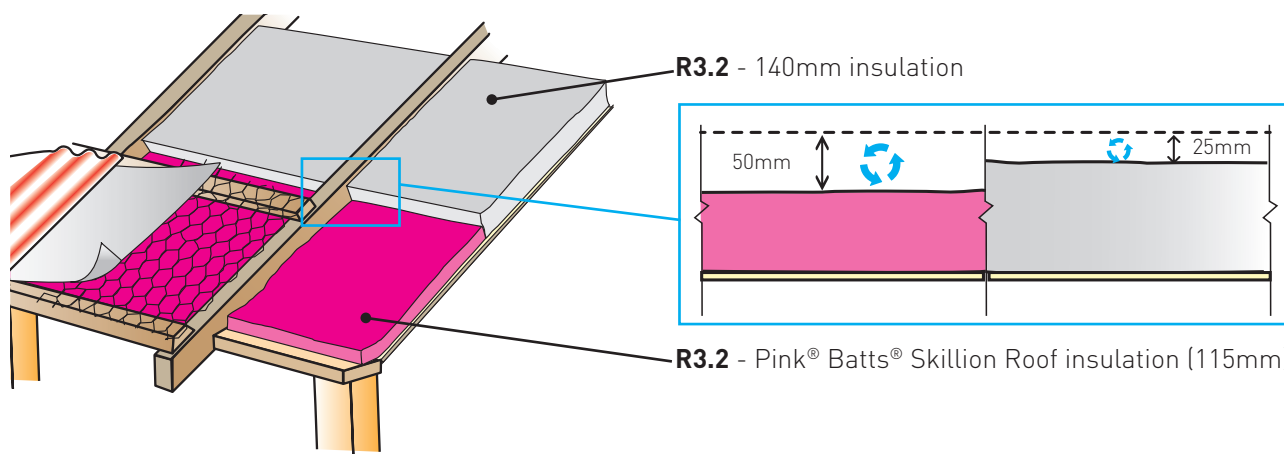
- New buildings and retrofits of existing ceilings
- Modern 'lean to' style extensions on existing homes
- Low profile roof design and restricted roof cavities

Cathedral style roofs and raked ceilings are generally skillion roof constructions where the ceiling and roof line are the same.

## Why select Pink® Batts® Skillion Roof insulation?

Standard insulation is often too thick for restricted skillion roof cavities, resulting in restricted ventilation and compressed insulation that reduces the R-value performance. To ensure durability and performance Pink® Batts® Skillion Roof insulation provides:

- **Extra Ventilation** - Unlike standard skillion roof products, which offer a 25mm clearance, Pink® Batts® Skillion roof insulation allows for an extra 25mm, offering a total of 50mm for ventilation clearances. This extra ventilation helps reduce the moisture related problems associated with skillion roofs.



- **H1 compliant R-value Range** - Available in R3.2 and R3.6, for 140mm and 190mm rafter constructions respectively, meeting typical NZBC H1: Energy Efficiency requirements
- **Assurance of a BRANZ appraisal** - 50 year durability as required by the NZBC for performance in Skillion roof applications

## Design Considerations and Selection:

To ensure your roof's performance and durability, internal moisture, condensation and ventilation must be carefully considered during design to prevent moisture build up and associated issues.

Use the rafter/purlin depth to work out the most appropriate product for your construction.

Rafter Depth (mm)	Product	Product Code	Nominal Stabilised Thickness (mm)
140	Pink® Batts® Skillion Roof R3.2	7110232	115
190	Pink® Batts® Skillion Roof R3.6	7110236	165

For typical constructions both these products will meet New Zealand Building Code Clause H1 under the schedule method. However please check your construction R-value using the BRANZ House insulation guide to ensure compliance.

For more detailed information please refer to the Pink® Batts® Skillion Roof Insulation datasheet available on [www.pinkbatts.co.nz](http://www.pinkbatts.co.nz)

## Pink® Batts® 140mm Wall Insulation

### Application:

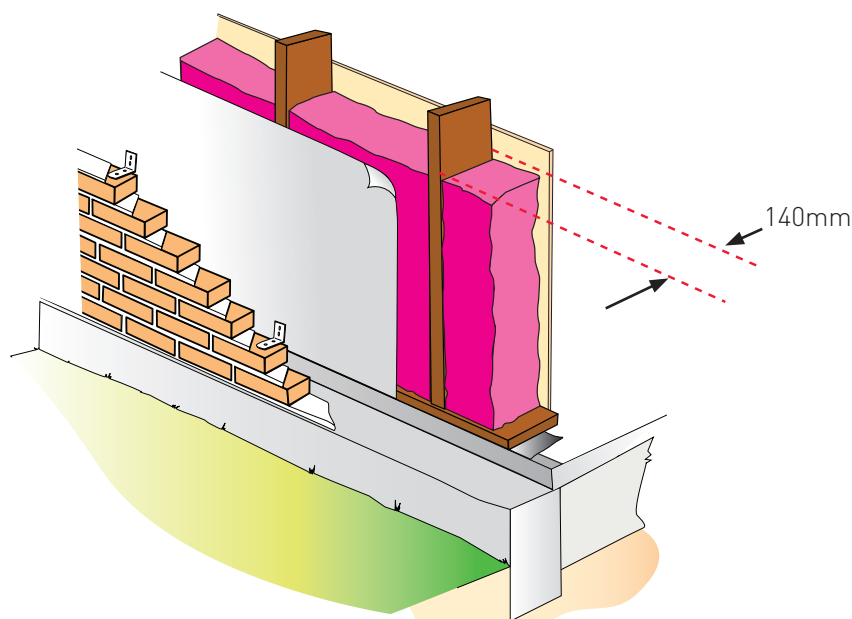
Standard wall insulation products are designed for 90mm wall framing. The Pink® Batts® 140mm wall range is specifically designed to offer a choice of high performance R-values to thermally insulate:

- New buildings with 140mm wall framing
- Extension and renovations with 140mm wall framing

### Why select Pink® Batts® 140mm Wall insulation?

Unlike many other 140mm insulation products, Pink® Batts® 140 mm Wall Insulation is specifically designed for wall applications and provides:

- **Superior durability** –manufactured with our unique Pink® Batts® wall formulation to ensure the product does not sag or deteriorate over time. The BRANZ Appraisal provides independent assurance of the 50 year durability requirement of the New Zealand Building code
- **High performance R-value Range** - available in a range of R-values up to R4.0, to achieve higher levels of energy efficiency.



### Selection Table

Wall Cavity (mm)	R-Value	Product	Product Code	Nominal Stabilised Thickness (mm)
140	R3.2	Pink® Batts® R3.2 140mm Wall	7120132	140
	R3.6	Pink® Batts® R3.6 140mm Wall	7120136	140
	R4.0	Pink® Batts® R4.0 140mm Wall	7120140	140
90	1.8 - 2.4	Pink® Batts® Classic Wall Range	See overleaf	90
	2.6 - 2.8	Pink® Batts® Ultra® Wall Range		

For more detailed information please refer to the Pink® Batts® Skillion Roof Insulation datasheet available on [www.pinkbatts.co.nz](http://www.pinkbatts.co.nz)

**Insist on 'more than comfort', and get the assurance that comes with Pink® Batts® Skillion Roof and Pink® Batts® 140mm Wall insulation.**

# Thermal & Acoustic Insulation

## PRODUCT GUIDE

	BRANZ APPRAISED	ENVIRONMENTAL CHOICE	PRODUCT CODE	SIZE (mm)	NOMINAL STABILISED THICKNESS (mm)	NOMINAL TOTAL AREA PER PACK (m <sup>2</sup> )	APPROX. COVERAGE PER PACK* (m <sup>2</sup> )
<b>ROOF - Thermal</b>							
Pink® Batts® Classic R1.8 Ceiling	✓		7110118	1220 x 432	95	13.7	14.4
Pink® Batts® Classic R2.2 Ceiling	✓		7110122	1220 x 432	115	12.6	13.3
Pink® Batts® Classic R2.6 Ceiling	✓		7110126	1220 x 432	140	10.5	11.1
Pink® Batts® Classic R3.2 Ceiling	✓		7110132	1220 x 432	170	8.4	8.8
Pink® Batts® Classic R3.6 Ceiling	✓	✓	7110136	1220 x 432	180	7.4	7.7
Pink® Batts® Ultra® R4.0 Ceiling	✓	✓	7110140	1220 x 432	195	6.3	6.6
Pink® Batts® Ultra® R4.6 Ceiling	✓	✓	7110146	1220 x 432	205	5.3	5.5
Pink® Batts® Ultra® R5.0 Ceiling	✓	✓	7110150	1220 x 432	210	4.2	4.4
Pink® Batts® Skillion Roof R3.2	✓		7110232	1220 x 432	115	3.7	3.9
Pink® Batts® Skillion Roof R3.6	✓		7110236	1220 x 432	165	6.3	6.6
<b>WALL - Thermal</b>							
Pink® Batts® Classic R1.8 Wall	✓		7120118	1140 x 580	90	17.2	19.6
Pink® Batts® Classic R2.2 Wall	✓		7120122	1140 x 580	90	13.9	15.8
Pink® Batts® Classic R2.4 Wall	✓		7120124	1140 x 580	90	10.6	12.1
Pink® Batts® Ultra® R2.6 Wall	✓	✓	7120126	1140 x 580	90	9.92	11.3
Pink® Batts® Ultra® R2.8 Wall	✓	✓	7120128	1140 x 580	90	6.61	7.5
Pink® Batts® R1.0 Masonry Wall	✓		7160110	1220 x 580	40	21.2	-
Pink® Batts® R1.2 Masonry Wall			7160134	1220 x 580	50	16.98	-
Pink® Batts® R3.2 140mm Wall	✓		7120132	1140 x 580	140	9.9	11.3
Pink® Batts® R3.6 140mm Wall	✓		7120136	1140 x 580	140	7.3	8.3
Pink® Batts® R4.0 140mm Wall	✓		7120140	1140 x 580	140	10.6	12.1
Pink® Batts® Steel R2.2 Wall	✓		7160214	1220 x 610	90	15.6	15.6
Pink® Batts® Steel R2.6 Wall	✓		7160215	1220 x 610	90	9.7	9.7
<b>WALL - Acoustic</b>							
Pink® Batts® Silencer® 100mm			7310001	1140 x 580	100	13.2	14.9
Pink® Batts® Silencer® 75mm			7310003	1140 x 580	75	17.2	19.5
<b>FLOOR - Thermal</b>							
Pink® Batts® Classic R1.6 SnugFloor® Narrow	✓		7134816	1220 x 480	70	9.3	9.7
Pink® Batts® Classic R1.6 SnugFloor® Wide	✓		7135816	1220 x 580	70	11.3	11.7
Pink® Batts® Ultra® R2.6 SnugFloor® Narrow	✓		7131451	1220 x 430	100	7.9	8.2
Pink® Batts® Ultra® R2.6 SnugFloor® Wide	✓		7131601	1220 x 580	100	10.6	11.0
<b>FLOOR - Acoustic</b>							
Pink® Batts® Silencer® Midfloor			7310051	1140 x 432	150	4.93	5.2
<b>ACCESSORIES</b>							
Pink® Batts® R1.3 Hot Water Cylinder Wrap 4.5m			7140000	4500 x 1200	60	5.4	-
Pink® Batts® R1.3 Hot Water Cylinder Wrap 3.0m			7140002	3000 x 1200	60	3.6	-

\* Coverage relates to standard structures and actual coverage may vary.



\* Please refer to [www.pinkbatts.co.nz](http://www.pinkbatts.co.nz) for specific product appraisals and accreditation details.

This document supersedes all previous versions and may have been superseded; is a guide only and the purchaser should ascertain the suitability of this product for the end-use situation intended and when used in conjunction with other products; and is provided without prejudice to Tasman Insulation New Zealand Ltd (Tasman) standard terms of sale. Tasman retains the right to change specification without prior notice. Refer to [www.pinkbatts.co.nz](http://www.pinkbatts.co.nz) or consult Tasman for further information. Do not use this product for any application not detailed in this document or otherwise in relation to the product is limited to the fullest extent permitted by law. Except where the consumer acquires the goods for the purposes of a business, any rights a consumer may have under the Consumer Guarantees Act are not affected. Jan 2012 RevD 3015