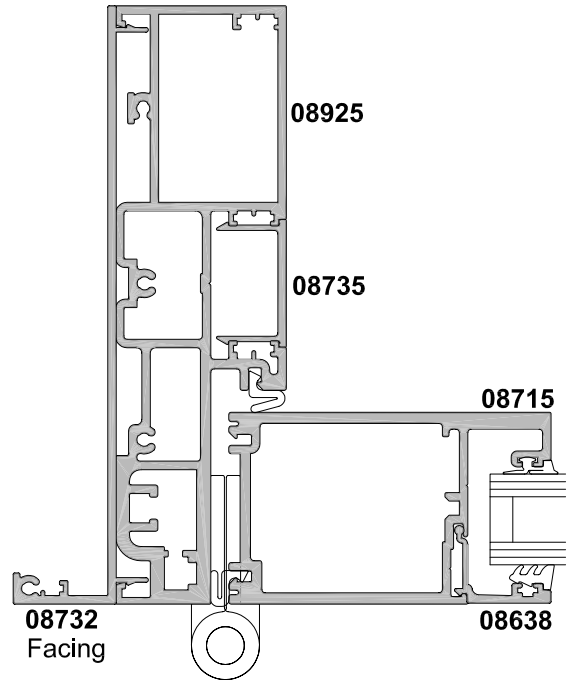
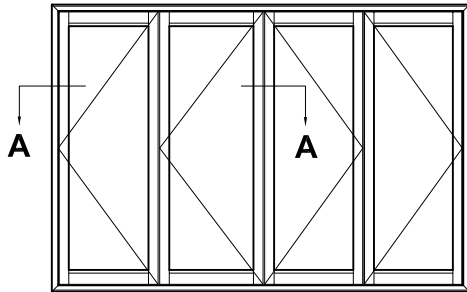


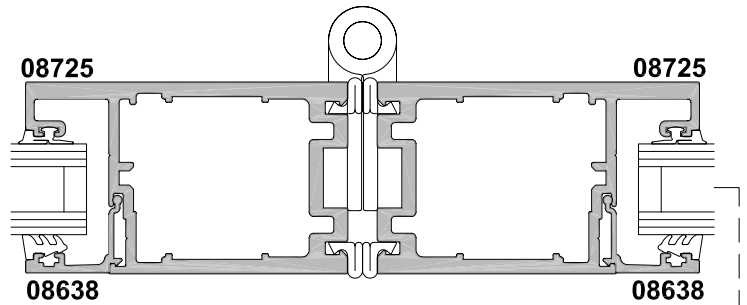
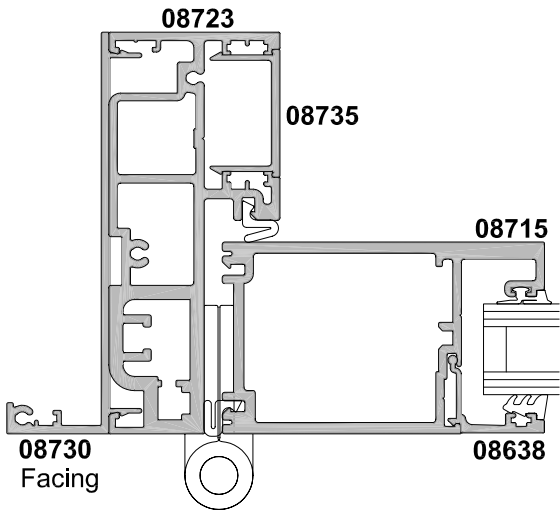
APL ARCHITECTURAL SERIES
F600AS BI-FOLD DOOR 2 + 2 PANEL

CROSS SECTION

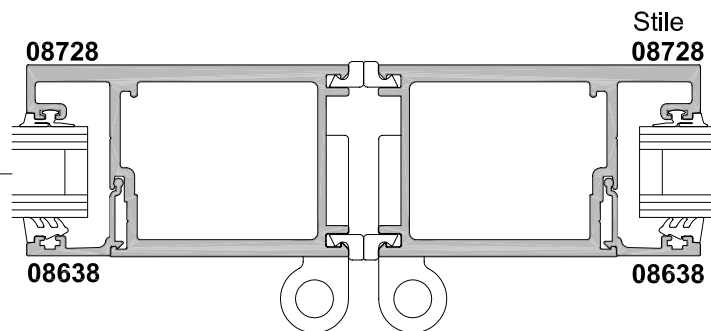
Date 01.11.09 Scale 1:2



158MM FRAME OPTION

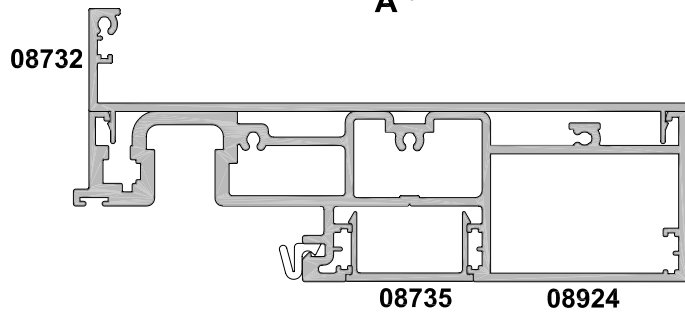
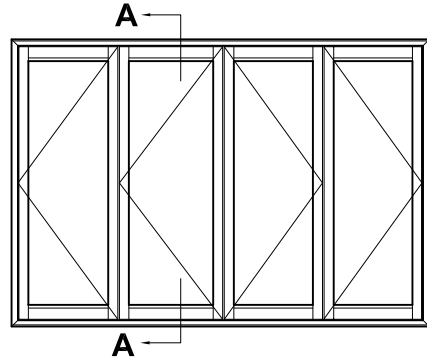
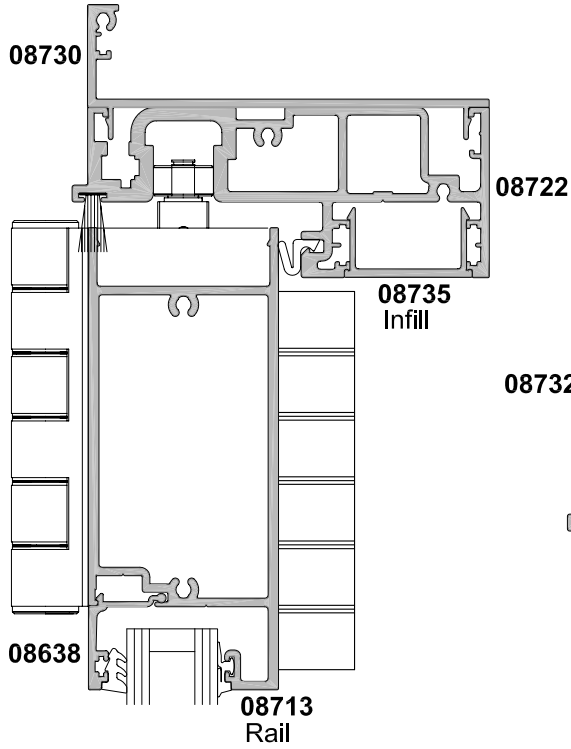


SECTION A-A



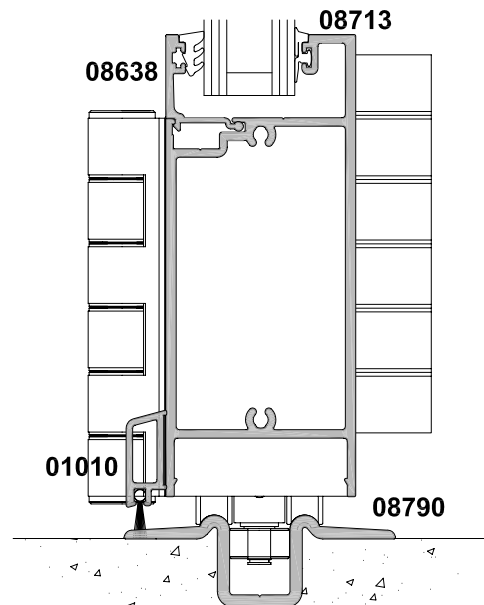
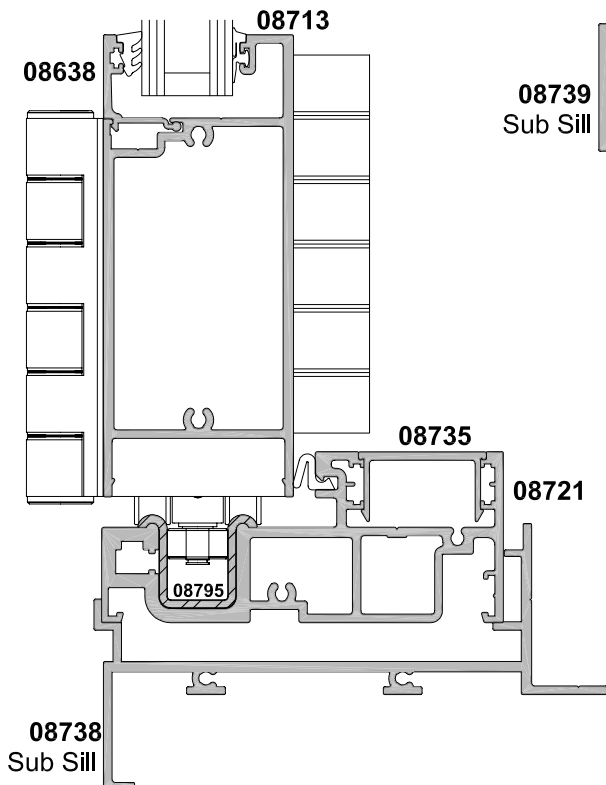
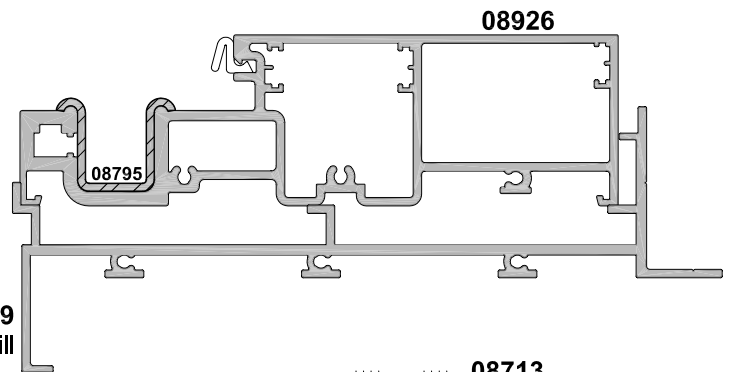
CROSS SECTION

Date 01.11.09 Scale 1:2



158MM FRAME OPTION

SECTION A-A

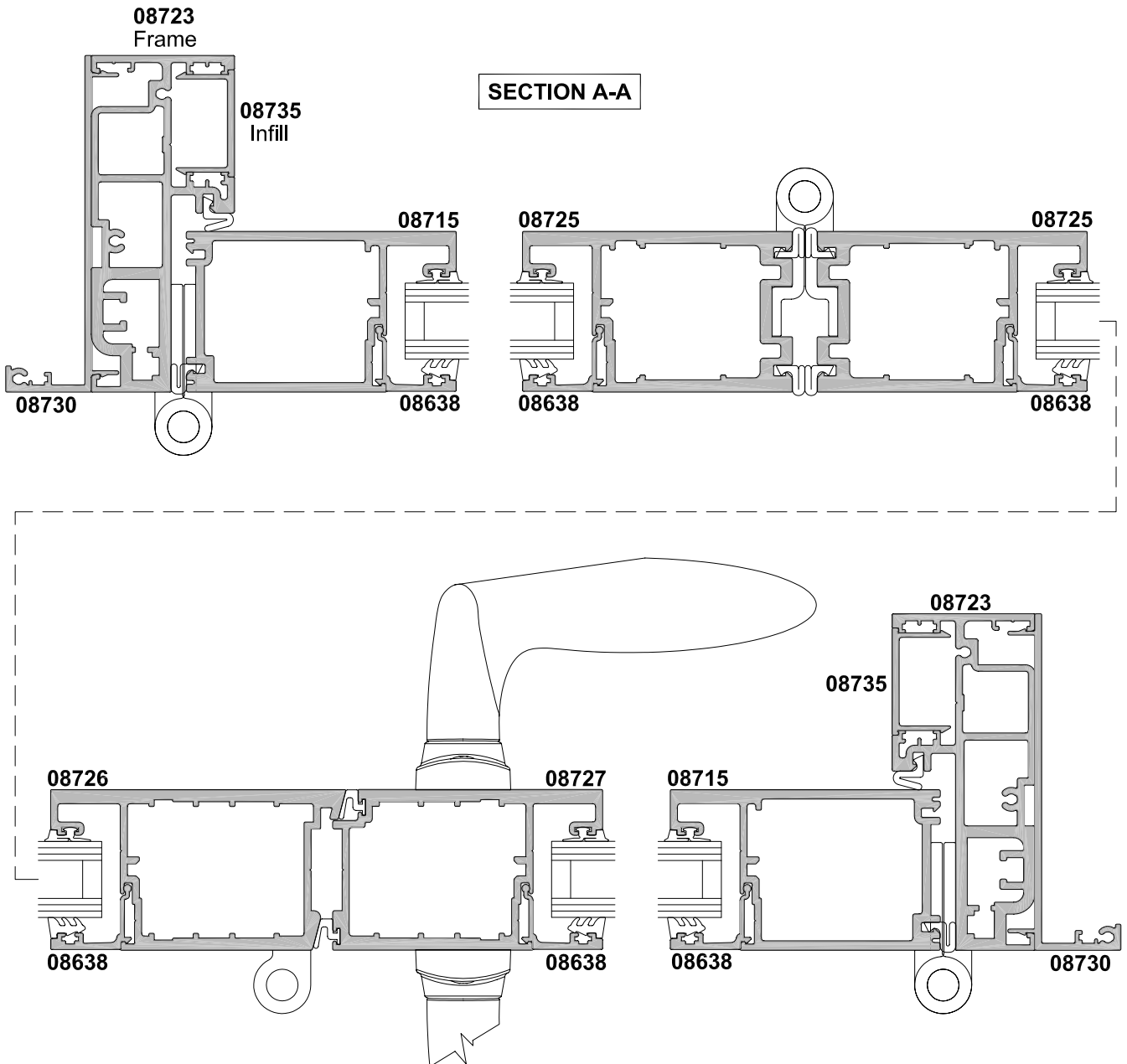
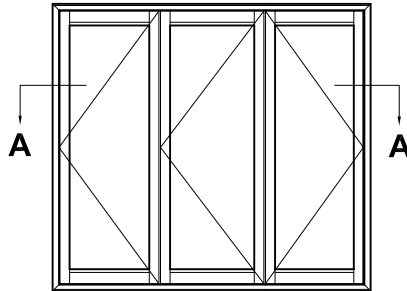


FLUSH SILL OPTION

For sheltered locations only

CROSS SECTION

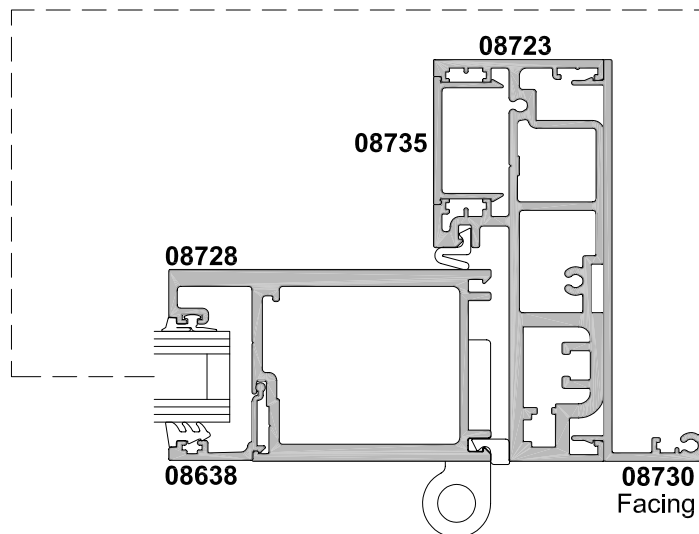
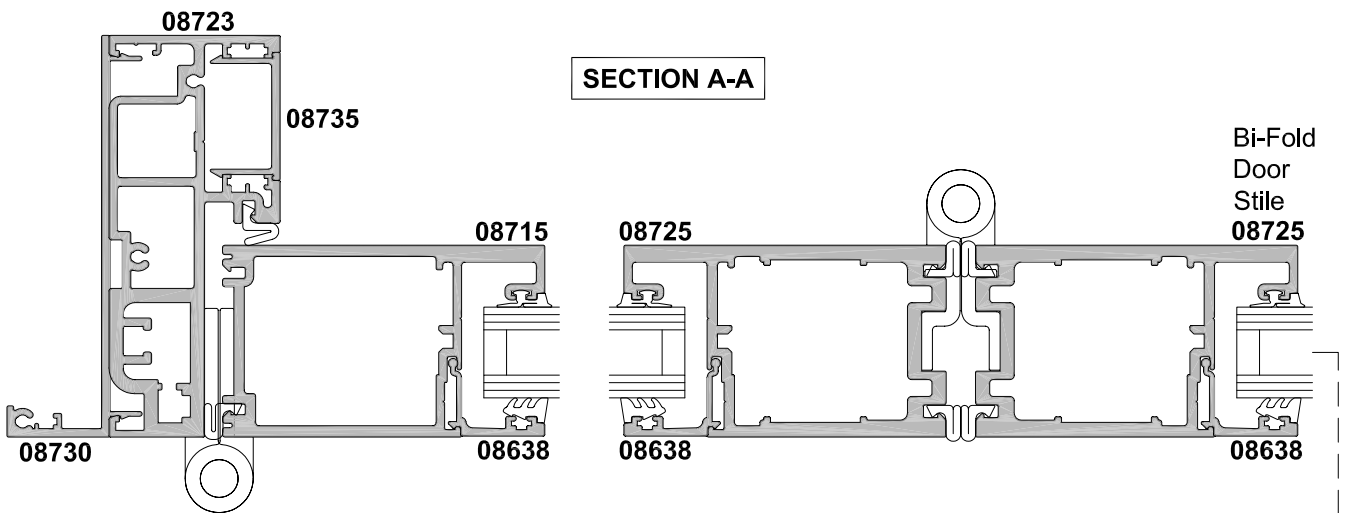
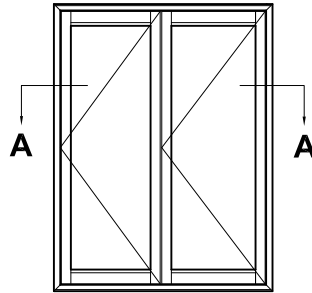
Date 01.11.09 Scale 1:2



**APL ARCHITECTURAL SERIES
F600AS BI-FOLD DOOR 2 PANEL**

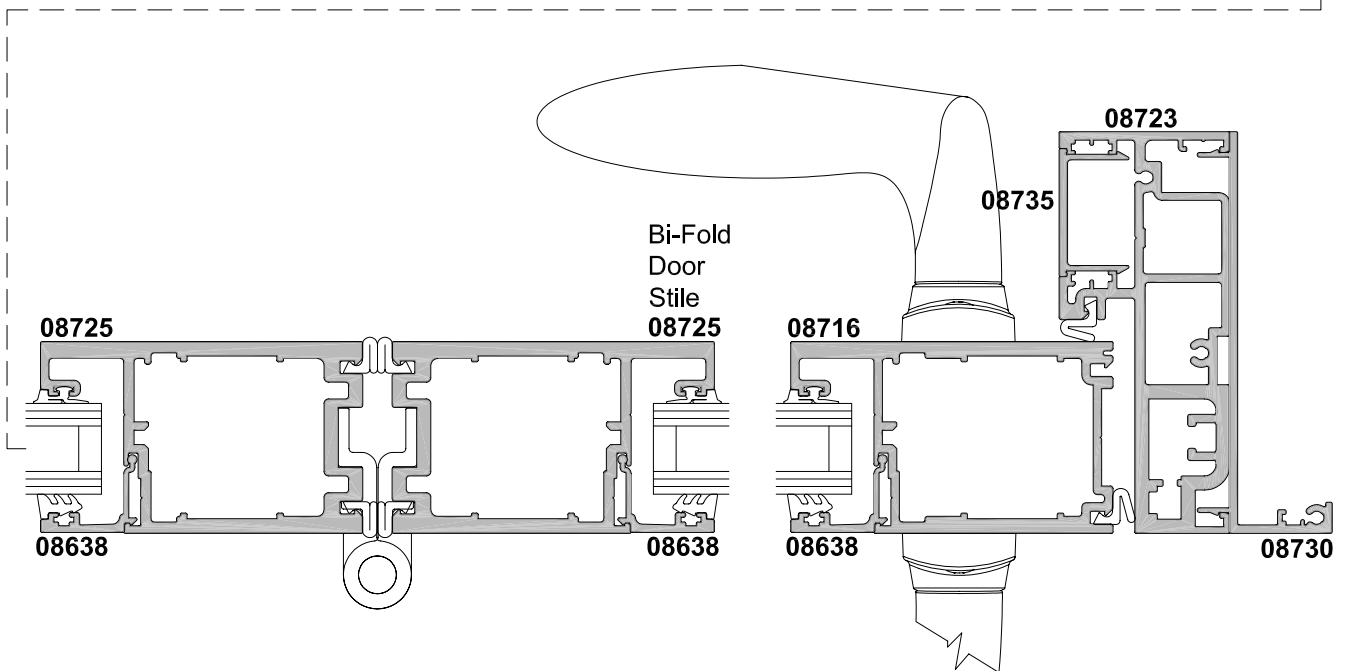
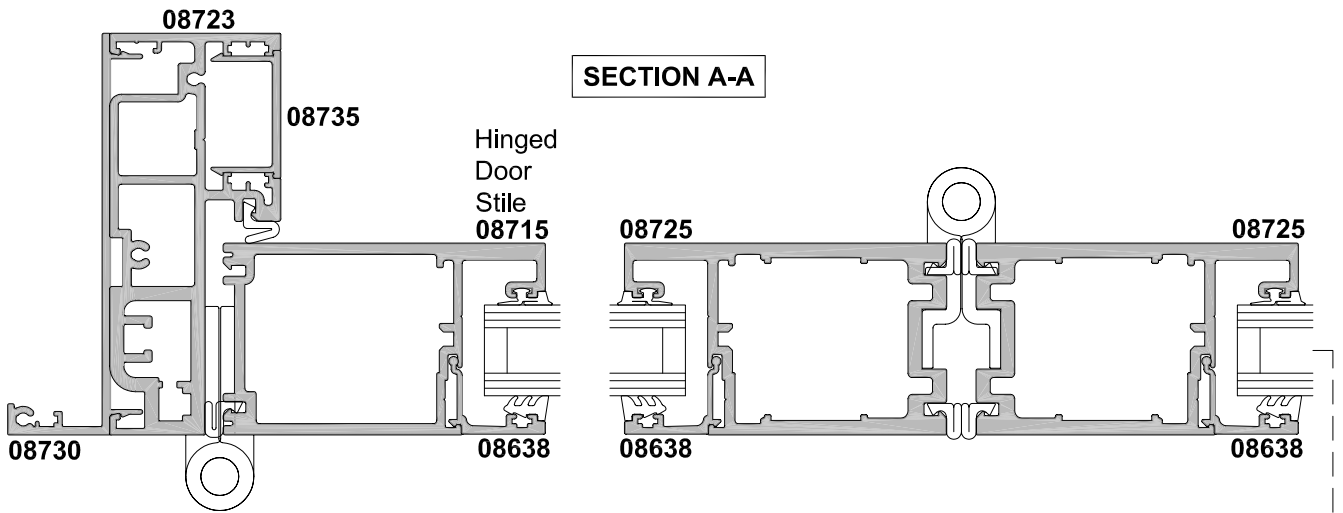
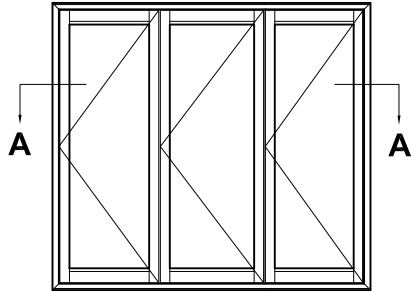
CROSS SECTION

Date 01.11.09 Scale 1:2



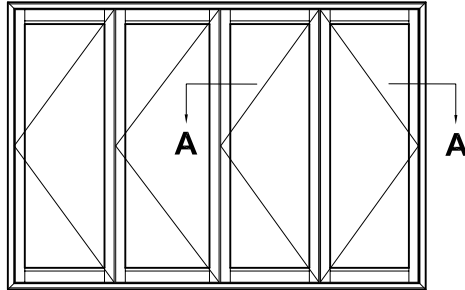
CROSS SECTION

Date 01.11.09 Scale 1:2



CROSS SECTION

Date 01.11.09 Scale 1:2



SECTION A-A

