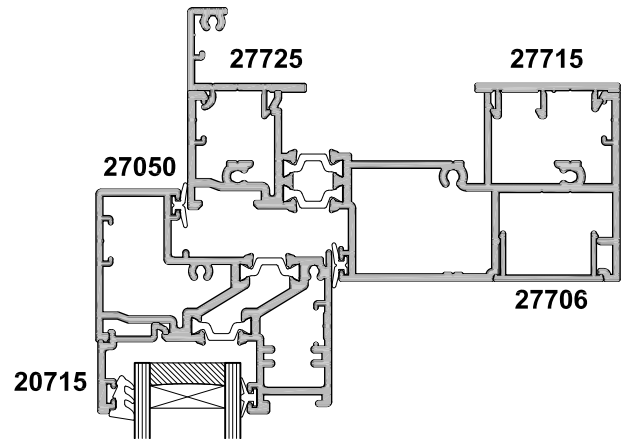


**STANDARD
SASH OPTION**

SECTION A-A



**VENTED SASH
OPTION**

SECTION B-B

