

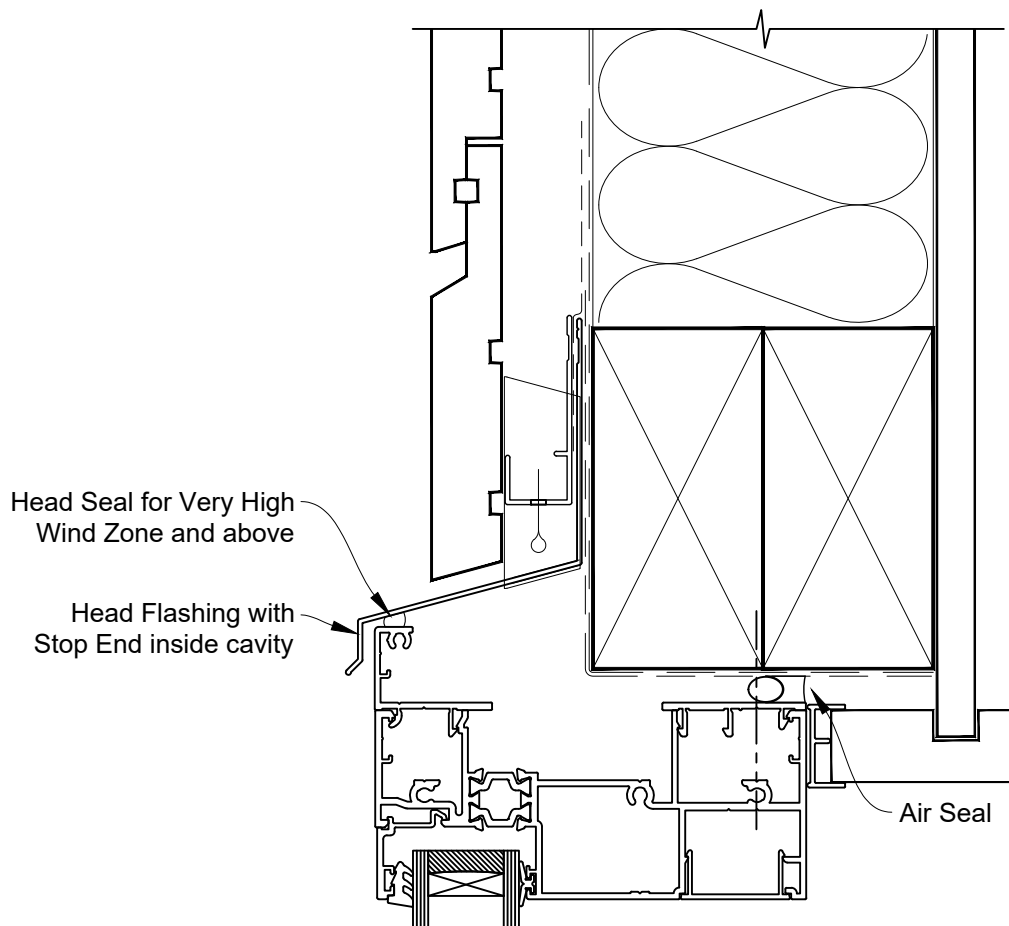


INSTALLATION DETAIL - ARCHITECTURAL THERMAL HEART 114mm AWNING WINDOW ON RUSTICATED WEATHERBOARD CAVITY CONSTRUCTION

Date: 01.09.23

Scale: 1:2

CAD Ref.: TA114AWRW-CH



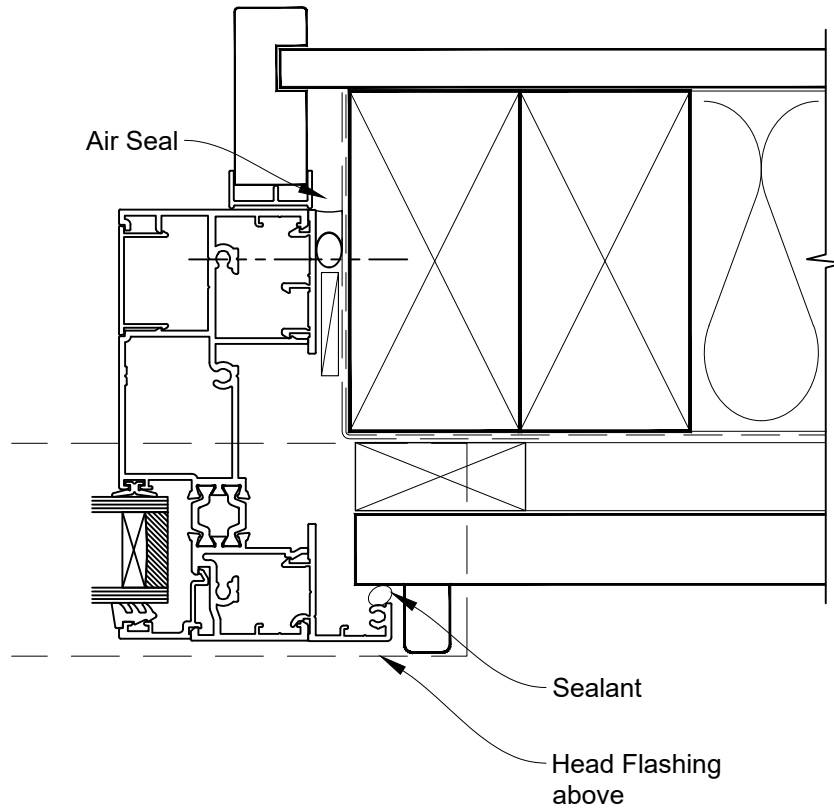


INSTALLATION DETAIL - ARCHITECTURAL THERMAL HEART 114mm AWNING WINDOW ON RUSTICATED WEATHERBOARD CAVITY CONSTRUCTION

Date: 01.09.23

Scale: 1:2

CAD Ref.: TA114AWRW-CJ





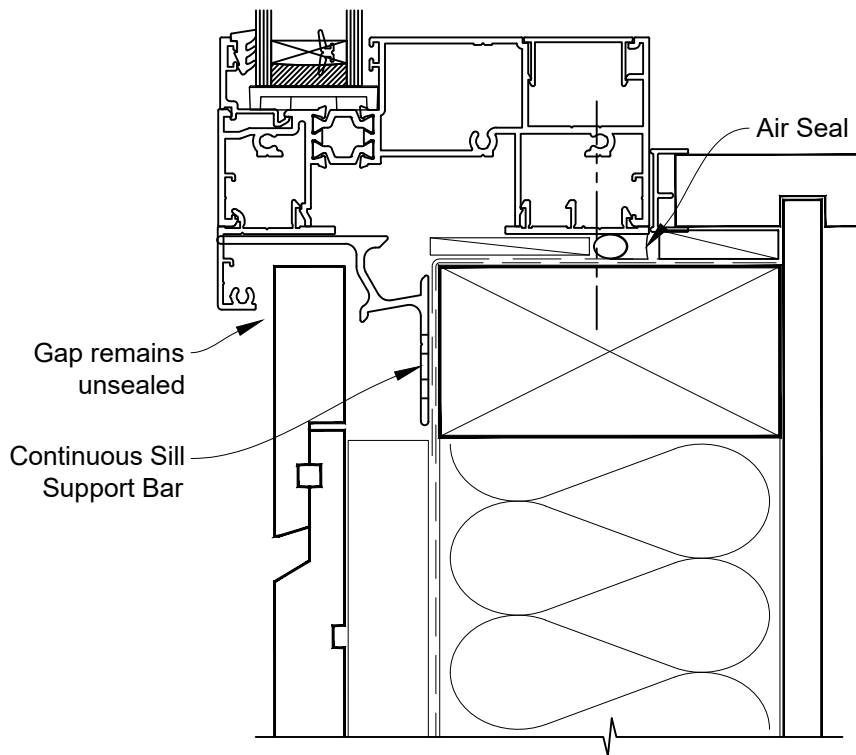
INSTALLATION DETAIL - ARCHITECTURAL THERMAL HEART 114mm AWNING WINDOW ON RUSTICATED WEATHERBOARD CAVITY CONSTRUCTION

Date: 01.09.23

Scale: 1:2

CAD Ref.: TA114AWRW-CS

FACING INFILL OPTION





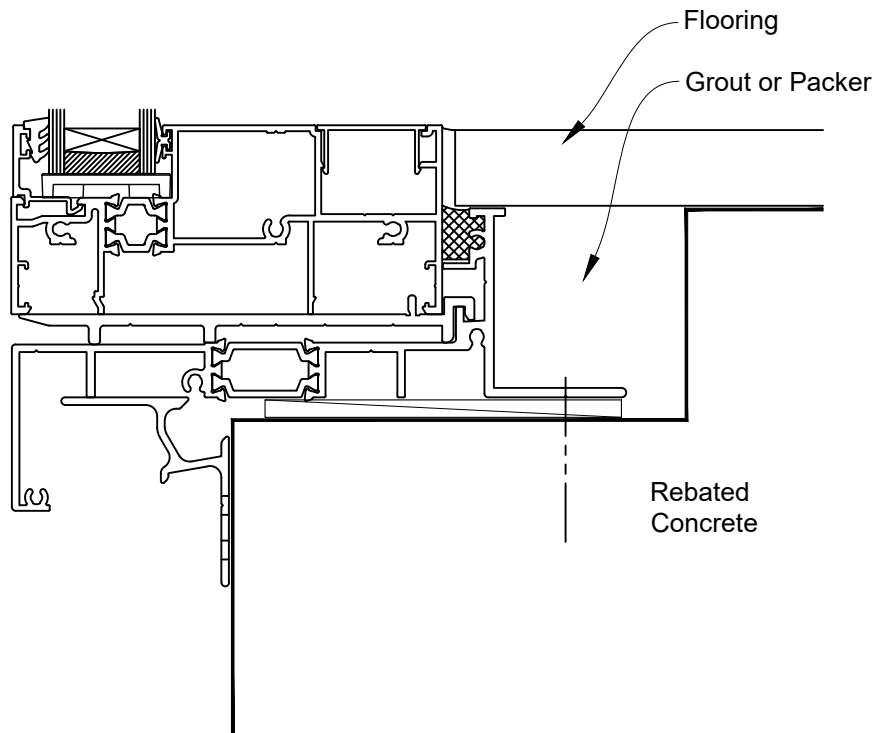
INSTALLATION DETAIL - ARCHITECTURAL THERMAL HEART 114mm AWNING WINDOW ON RUSTICATED WEATHERBOARD CAVITY CONSTRUCTION

Date: 01.09.23

Scale: 1:2

CAD Ref.: TA114AWRW-CS2

SILL TRAY OPTION





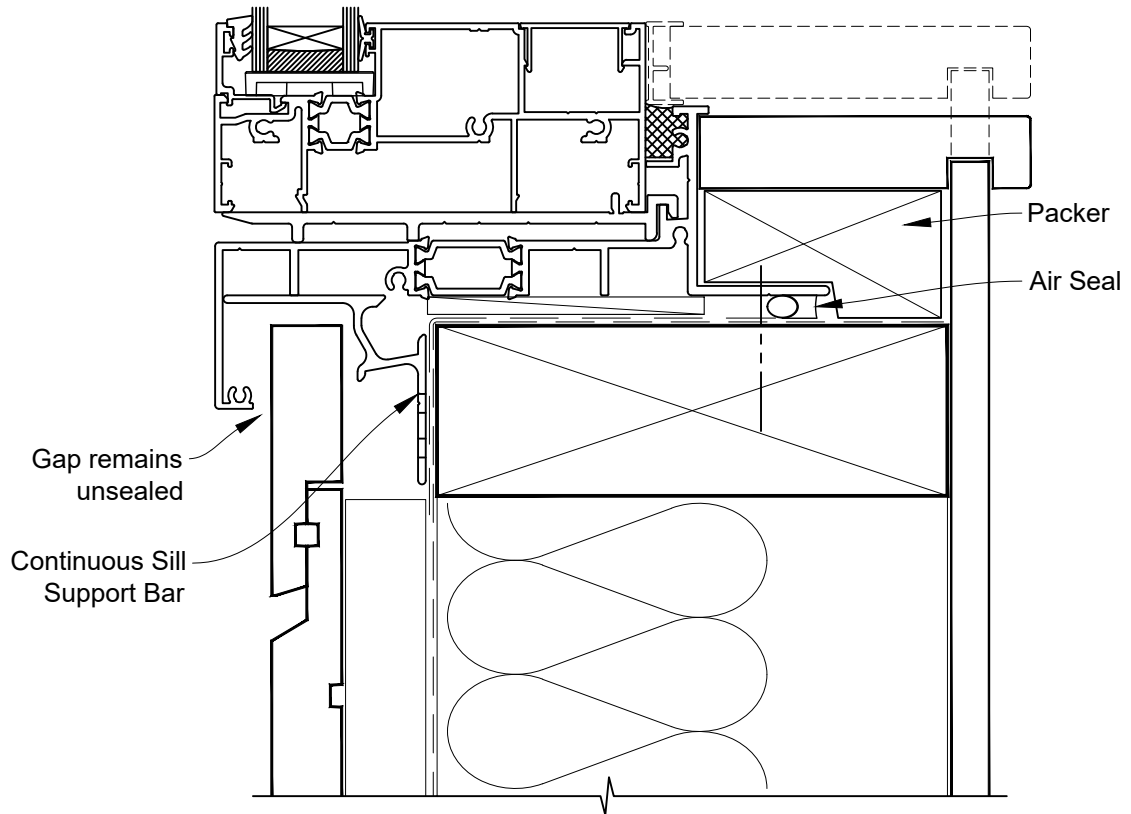
INSTALLATION DETAIL - ARCHITECTURAL THERMAL HEART 114mm AWNING WINDOW ON RUSTICATED WEATHERBOARD CAVITY CONSTRUCTION

Date: 01.09.23

Scale: 1:2

CAD Ref.: TA114AWRW-CS3

SILL TRAY OPTION



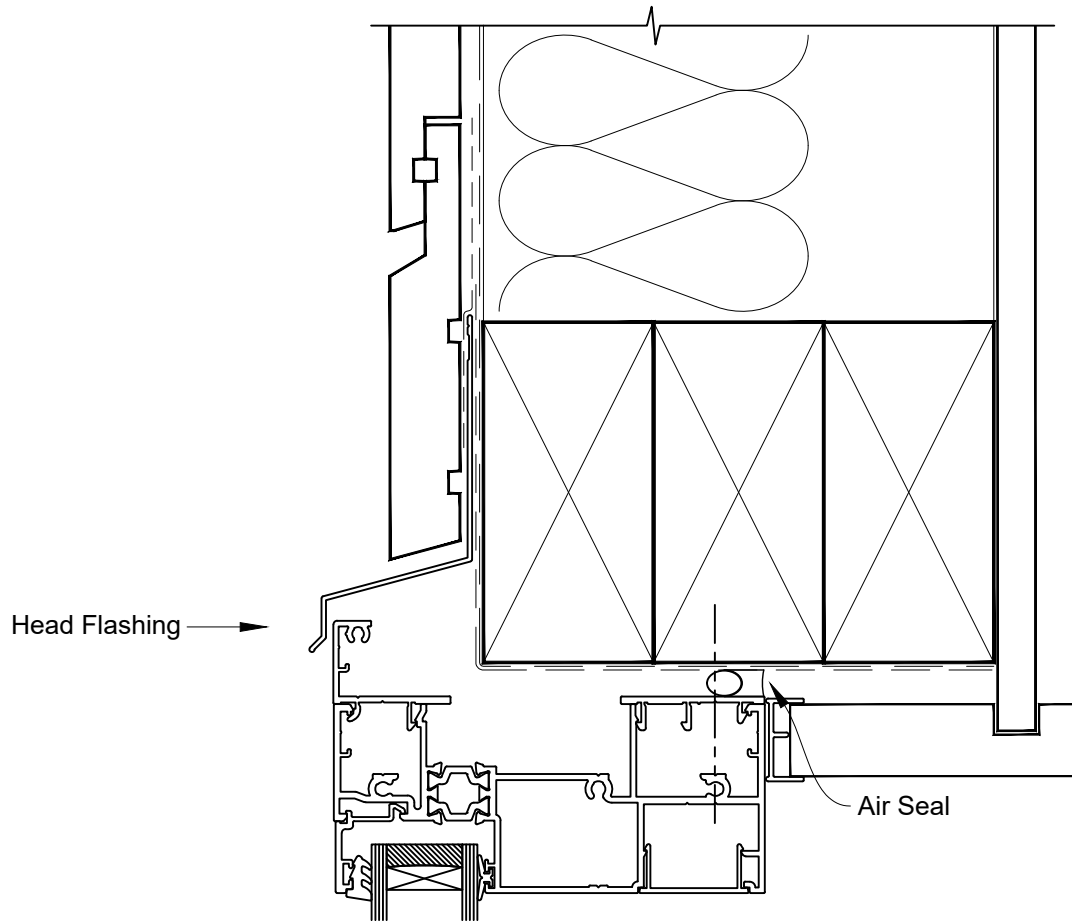


INSTALLATION DETAIL - ARCHITECTURAL THERMAL HEART 114mm AWNING WINDOW ON RUSTICATED WEATHERBOARD DIRECT FIXED CLADDING

Date: 01.09.23

Scale: 1:2

CAD Ref.: TA114AWRW-DH



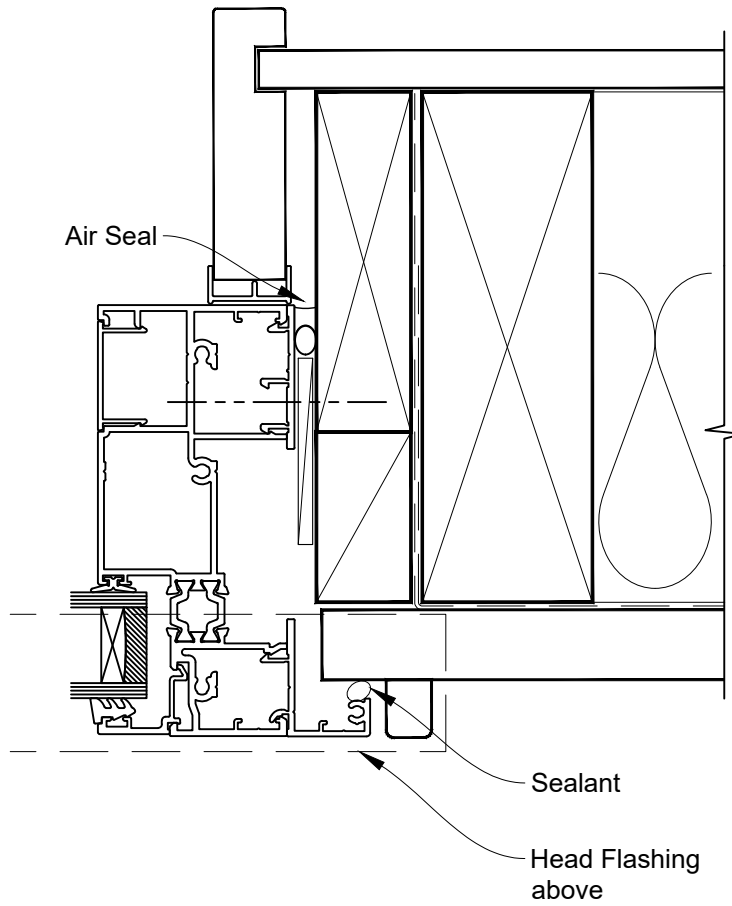


INSTALLATION DETAIL - ARCHITECTURAL THERMAL HEART 114mm AWNING WINDOW ON RUSTICATED WEATHERBOARD DIRECT FIXED CLADDING

Date: 01.09.23

Scale: 1:2

CAD Ref.: TA114AWRW-DJ





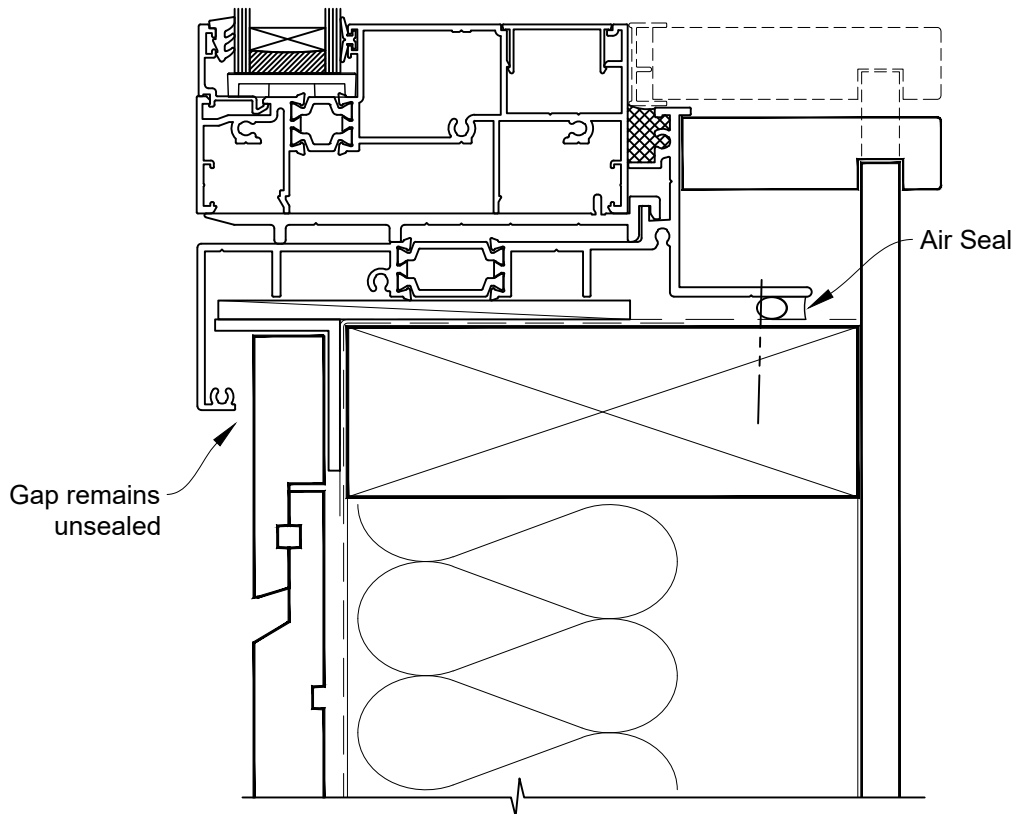
INSTALLATION DETAIL - ARCHITECTURAL THERMAL HEART 114mm AWNING WINDOW ON RUSTICATED WEATHERBOARD DIRECT FIXED CLADDING

Date: 01.09.23

Scale: 1:2

CAD Ref.: TA114AWRW-DS

SILL TRAY OPTION





INSTALLATION DETAIL - ARCHITECTURAL THERMAL HEART 114mm AWNING WINDOW ON RUSTICATED WEATHERBOARD DIRECT FIXED CLADDING

Date: 01.09.23

Scale: 1:2

CAD Ref.: TA114AWRW-DS2

FACING INFILL OPTION

