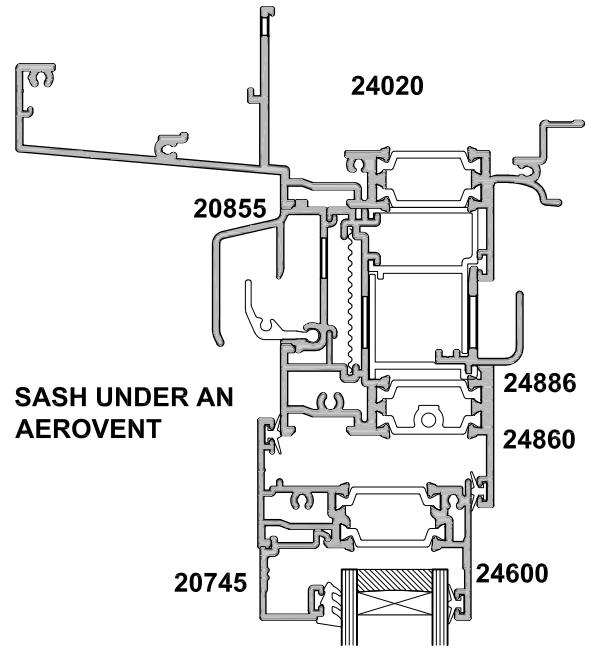
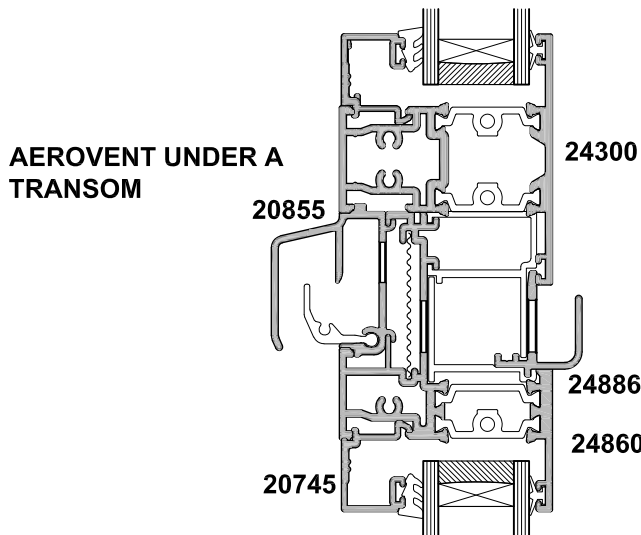


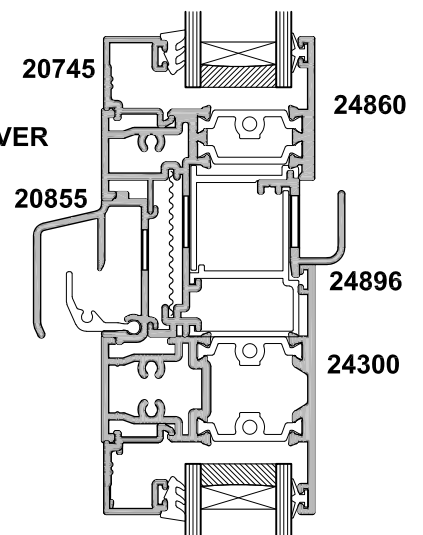
AEROVENT AT THE HEAD



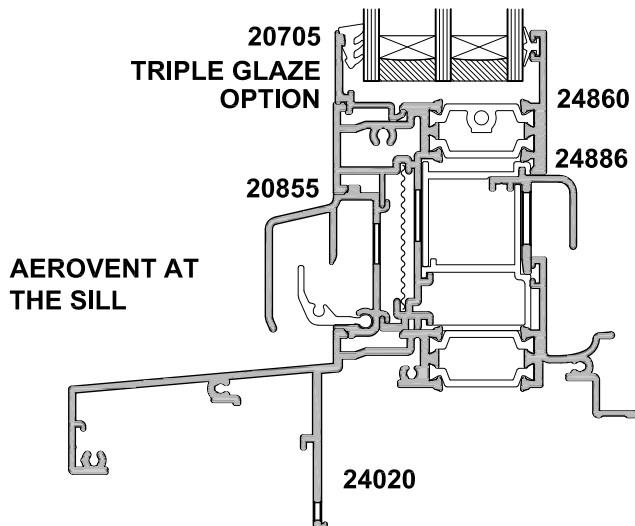
SASH UNDER AN AEROVENT



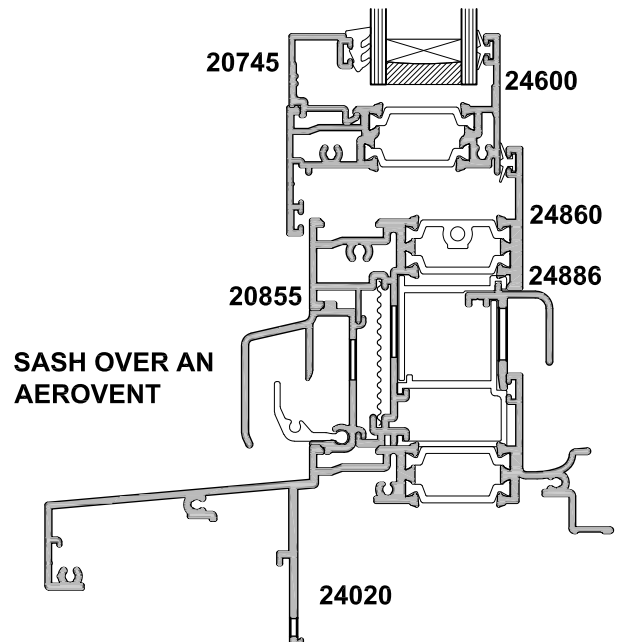
AEROVENT UNDER A TRANSOM



AEROVENT OVER A TRANSOM



AEROVENT AT THE SILL



SASH OVER AN AEROVENT