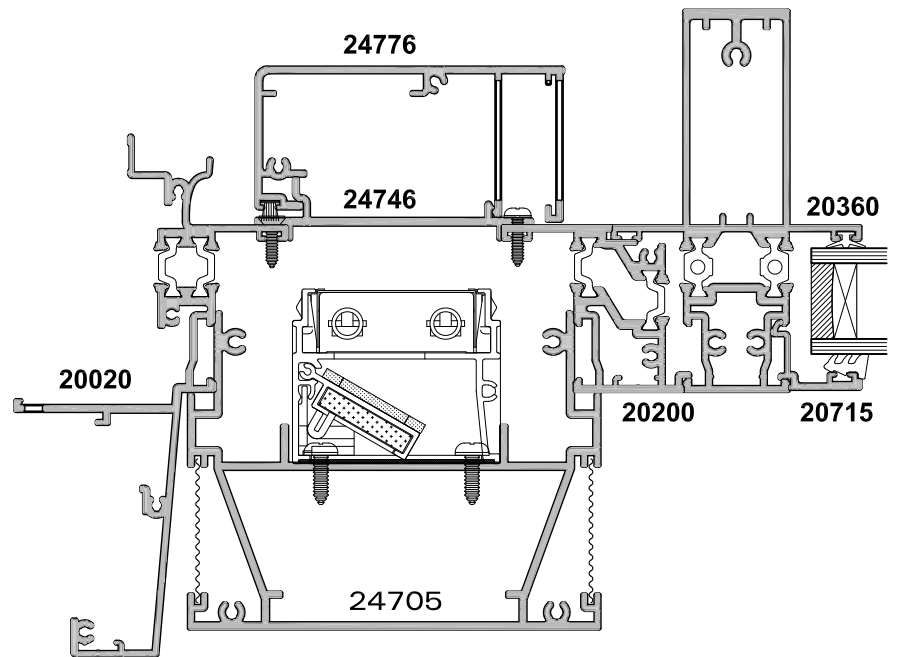
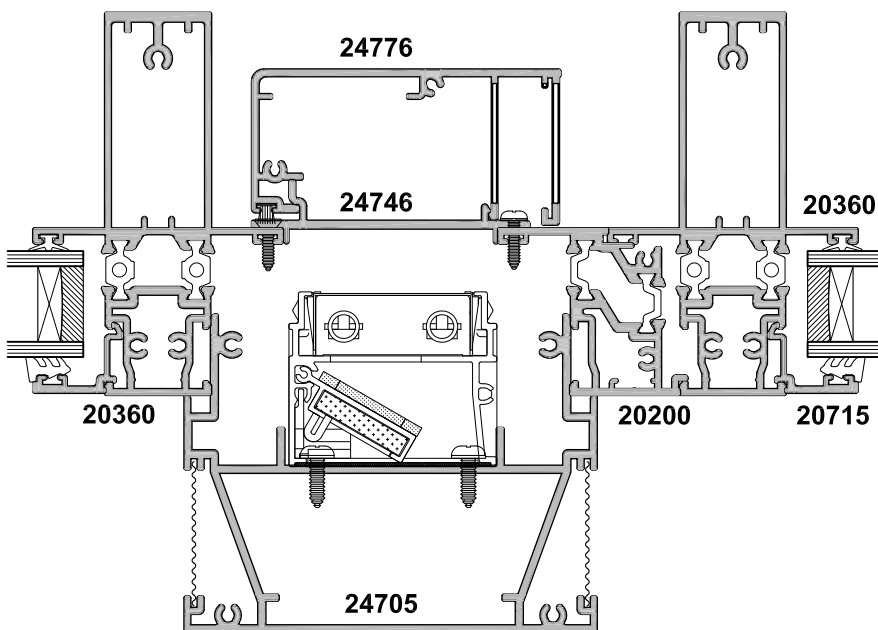


**VENTIENT AT JAMB AND
STANDARD MULLION**



**VENTIENT AT JAMB AND
LARGE MULLION**



VENTIENT BETWEEN MULLIONS