



**DORMA Glas
On-Eazi & Universal
Rail Assemblies**

DORMA Rail



Contents

General Information	Page 1
On-Eazi & Universal Rail Profiles	Page 2
On-Eazi & Universal Offset Rail Profiles	Page 3
On-Eazi Pivot Door Rail Modules	Page 4
On-Eazi Pivot Door Rail Modules	Page 5
On-Eazi Sliding Door Rail Modules	Page 6
On-Eazi Sliding Door Rail Modules	Page 7
Universal Pivot Door Rail Modules	Page 8
Notes & Contact Information	Page 9

On-Eazi & Universal Rail Series

Features and benefits

Maximum Height : > 3500mm
 Maximum Width : > 1400mm
 Maximum Weight: > 150kg's
 Glass Thickness: 10-19mm

The On-Eazi and Universal Rail Series' are characterized by 85mm and 76.5mm Base Rail profile heights respectively.

DORMA Rails include modules for a wide variety of applications, ranging from Pivot and Sliding Door applications to complex glass assemblies and fixed glazing installations.

Advantages:

- Proven, durable, high quality rail and inserts.
- Wide range of finish options including Aluminium, Stainless Steel and Brass.
- Compatibility with DORMA BTS Floor Spring and RTS Transom Closer Series'.
- Quick and Easy on-site installation and adjustability to site conditions.



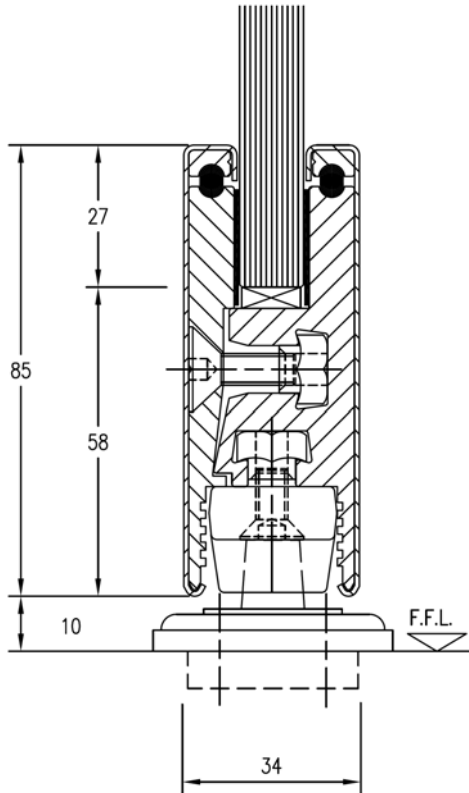
Specifications:

Applications & Features	On-Eazi	On-Eazi Offset	Universal	Universal Offset
External Applications	•	•	•	•
Internal Applications	•	•	•	•
Double Action Doors	•		•	
Single Action & 180° Single Action Doors	•	•	•	•
Max Door Height (mm)	>3500mm	>2700mm	>3500mm	>2700mm
Max Door Width (mm)	>1400mm	>1200mm	>1400mm	>1200mm
Glass Thickness (mm)	10mm-15mm	10mm-15mm	10mm-12mm	10mm-12mm
Door Weight (kg's)	>150kg's	>100kg's	>150kg's	>100kgs

Material & Finishes	On-Eazi	On-Eazi Offset	Universal	Universal Offset
Aluminium Mill, Anodized & Powdercoat	•	•	•	•
Polished & Satin Stainless Steel	•	•	•	•
Polished & Unlaquered Brass	•	■	■	■
Chromed & Satin Chromed Brass	•	■	■	■

- Standard
- Optional

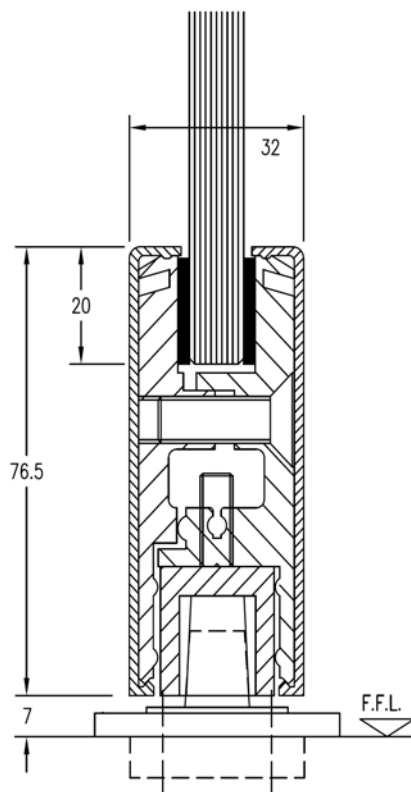
On-Eazi & Universal Rail Profiles



On-Eazi 85mm Rail Profile

The DORMA On-Eazi 85mm Series Door Rail is the most widely sold door rail extrusion in the Australian marketplace. Wholly developed in Australasia for our local market, available in a variety of Aluminium, Stainless Steel and Brass Cover finishes, and supplied optionally to house the DC590 Deadlock, DORMA Pin Lock or Electric Strike the Rail caters to a wide variety of Pivot and Sliding Door applications.

Suitable for toughened glass of between 10 and 15mm in thickness, and predominantly supplied utilising a similar clamping technique to the Universal Series, the Extrusion is characterized by its adjustable inserts which make installation and on-site setup a breeze. Available with 100mm extended cover profile, it can also cater to special heights, and be modified to suit 19mm glass on application.

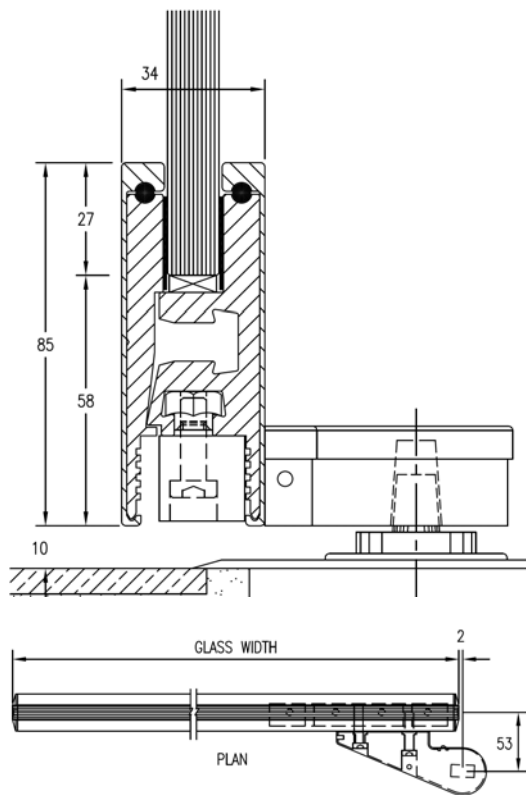


Universal 76.5mm Rail Profile

The DORMA Universal 76.5mm Series Door Rail is one of the most widely sold door rails in the world today. The result of years of rigorous development and testing the series is characterized by its high quality inserts, wide range of application, and tamper resistant extrusion and insert fixings. Available in a variety of Aluminium, Stainless Steel and Brass Cover finishes, and supplied optionally to house the DC590 Deadlock, DORMA Pin Lock or Electric Strike - you can rest assured the Universal Series has a solution for even the most complex of applications.

Suitable for toughened glass of between 10 and 12mm in thickness, it utilizes a clamping technique to capture the glass. The result is a rail which requires no glass hole preparation, providing a cost saving, and allowing for quick and easy installation.

On-Eazi & Universal Offset Rail Profiles



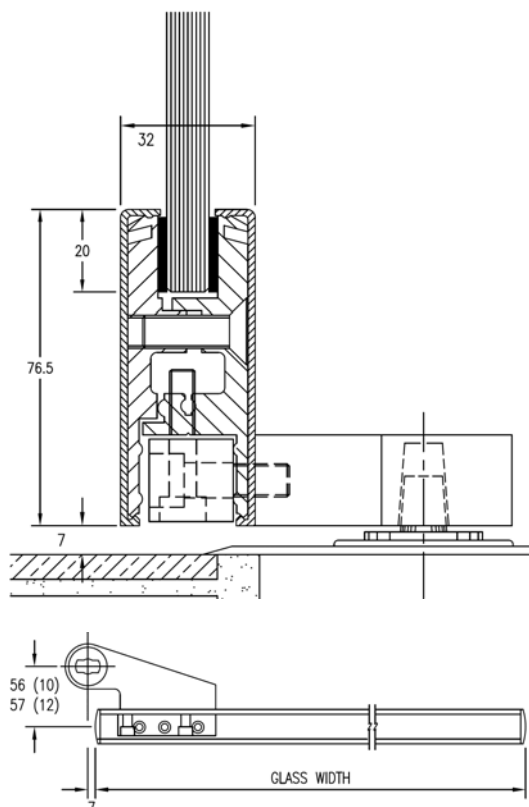
On-Eazi Offset Arm 85mm Rail Profile

The combination of On-Eazi Door Rail and Offset Strap makes the series the perfect choice for rebated single action doors, or wherever a 180° Single Action operation is required. The series is designed as standard to accommodate a -2 x 53mm Pivot Point.

Available in finishes to match the standard On-Eazi range of modules, and to suit special rebate depths on application the series is a natural choice.



All DORMA On-Eazi Rail Modules available in Offset versions feature the adjacent Offset Strap icon.



Universal Offset Arm 76.5mm Rail Profile

The Offset Universal Door Rail series is another ideal choice for rebated single action doors, or applications where a 180° Single Action operation is required. The series is designed as standard to accommodate a -7 x 56/57mm Pivot Point.

Available in finishes to match the standard Universal range of modules, and with optional special rebate depths on application the series is a proven performer..



All DORMA Universal Rail Modules available in Offset versions feature the adjacent Offset Strap icon.

On-Eazi Rail Series Pivot Door Modules

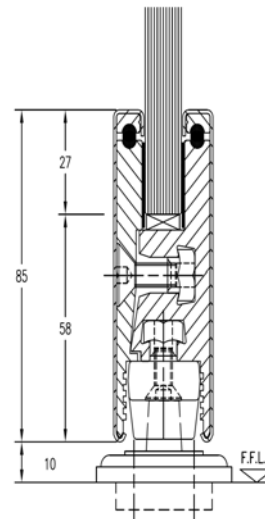
On-Eazi CDS41 Series Bottom Rail Module to suit Pivot Bearing or BTS Floor Spring Applications

The On-Eazi CDS41 Bottom Rail Module is suited to both Single and Double Action Pivot Door Applications. It is designed for use with the Dorma Pivot Bearing (CD355) or BTS Floor Spring Range. Optional 100mm high rail cover is available, as well as special height profiles to application on request.

Max Door Weight: >150kg's (100kg's with O/Set Strap)
 Max Door Width: >1400mm (1200mm with O/Set Strap)
 Max Glass Thickness: >15mm (19mm on application)

Available Finishes: Aluminium Mill, Anodized or Powdercoat
 Satin or Polished Stainless Steel
 Polished, Chromed or Satin Chromed Brass
 Polished Brass Unlaquered

Specify: CDS41 to designate standard as above
 CDS41L/R to designate Offset Module
 CDR41 to designate 100mm Cover Profile
 ZDS41 to designate 15mm Glass
 ZDR41 to designate 100mm Cover Profile and 15mm Glass



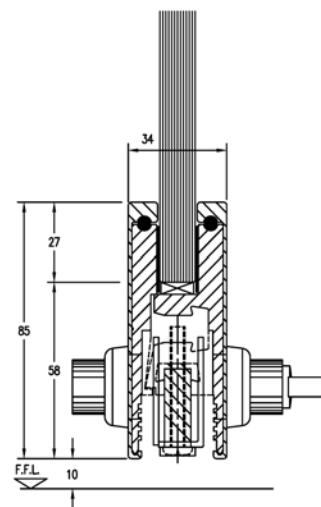
On-Eazi CDS42 Series Bottom Rail Module to suit Pivot Bearing or BTS Floor Spring Applications with Lock

The On-Eazi CDS42 Bottom Rail Module is suited to both Single and Double Action Pivot Door Applications. It is designed for use with the Dorma Pivot Bearing (CD355) or BTS Floor Spring Range. The module includes the DORMA DC590 Deadlock, Cylinder and Turn Snib. Optional 100mm high rail cover is available, as well as special height profiles to application on request.

Max Door Weight: >150kg's (100kg's with O/Set Strap)
 Max Door Width: >1400mm (1200mm with O/Set Strap)
 Max Glass Thickness: >15mm (19mm on application)

Available Finishes: Aluminium Mill, Anodized or Powdercoat
 Satin or Polished Stainless Steel
 Polished, Chromed or Satin Chromed Brass
 Polished Brass Unlaquered

Specify: CDS42 to designate as above
 CDS42L/R to designate Offset Module
 CDR42 to designate 100mm Cover Profile
 ZDS42 to designate 15mm Glass
 ZDR42 to designate 100mm Cover Profile and 15mm Glass



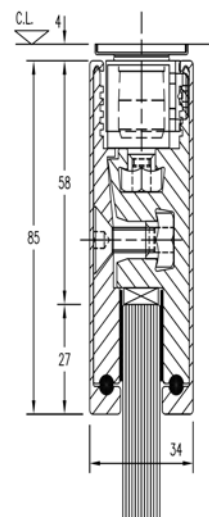
On-Eazi CDS43 Series Top Rail Module to suit Top Pivot Applications

The On-Eazi CDS43 Top Rail Module is suited to both Single and Double Action Pivot Door Applications. It is designed for use with the DORMA Free Upper Pivot Bearing Range (CD58, PT24), and features a side load insert. Optional 100mm high rail cover is available, as well as special height profiles to application on request.

Max Door Weight: >150kg's (100kg's with O/Set Strap)
 Max Door Width: >1400mm (1200mm with O/Set Strap)
 Max Glass Thickness: >15mm (19mm on application)

Available Finishes: Aluminium Mill, Anodized or Powdercoat
 Satin or Polished Stainless Steel
 Polished, Chromed or Satin Chromed Brass
 Polished Brass Unlaquered

Specify: CDS43 to designate as above
 CDS43L/R to designate Offset Module
 CDR43 to designate 100mm Cover Profile
 ZDS43 to designate 15mm Glass
 ZDR43 to designate 100mm Cover Profile and 15mm Glass



On-Eazi Rail Series Pivot Door Modules

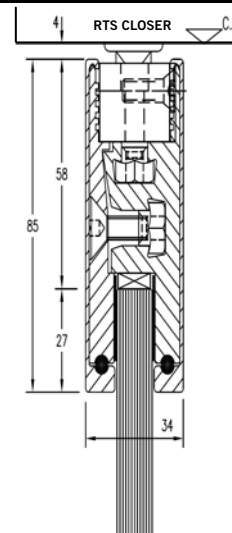
On-Eazi CDS43RTS Series Top Rail Module to suit RTS Transom Closer Applications

The On-Eazi CDS43RTS Top Rail Module is suited to both Single and Double Action applications. It is designed for use with the DORMA RTS Transom Closer Range (RTS84, RTS85). A 3° Offset Insert is available to suit Electric Locking Applications (specify CDS43RTSL/R). 100mm high rail cover is available, as well as special height profiles to application on request.

Max Door Weight: >150kg's (restricted to RTS capacity)
 Max Door Width: >1400mm
 Max Glass Thickness: >15mm (19mm on application)

Available Finishes: Aluminium Mill, Anodized or Powdercoat
 Satin or Polished Stainless Steel
 Polished, Chromed or Satin Chromed Brass
 Polished Brass Unlaquered

Specify: CDS43RTS to designate as above
 CDS43RTSL/R to designate 3° Offset Insert Module
 CDR43RTS to designate 100mm Cover Profile
 ZDS43RTS to designate 15mm Glass
 ZDR43RTS to designate 100mm Cover Profile and 15mm Glass



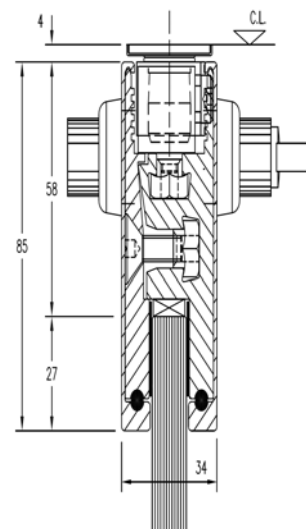
On-Eazi CDS44 Series Top Rail Module to suit Free Pivot Applications with Lock

The On-Eazi CDS44 Top Rail Module is suited to both Single and Double Action Pivot Door Applications. It is designed for use with the DORMA Free Upper Pivot Bearing Range (CD58, PT24) and features a side load insert. The module includes a DORMA DC590 Deadlock, Cylinder and Turn. 100mm high rail cover is available, as well as special height profiles to application on request.

Max Door Weight: >150kg's (100kg's with O/Set Strap)
 Max Door Width: >1400mm (1200mm with O/Set Strap)
 Max Glass Thickness: >15mm (19mm on application)

Available Finishes: Aluminium Mill, Anodized or Powdercoat
 Satin or Polished Stainless Steel
 Polished, Chromed or Satin Chromed Brass
 Polished Brass Unlaquered

Specify: CDS44 to designate as above
 CDS44L/R to designate Offset Module
 CDR44 to designate 100mm Cover Profile
 ZDS44 to designate 15mm Glass
 ZDR44 to designate 100mm Cover Profile and 15mm Glass



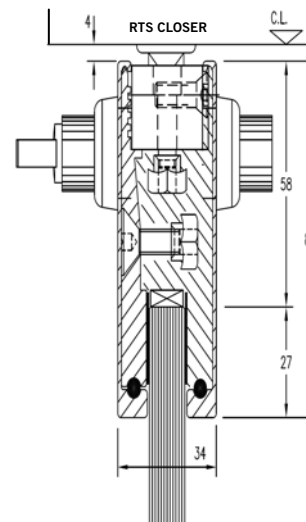
On-Eazi CDS44RTS Series Top Rail Module to suit RTS Transom Closer Applications with Lock

The On-Eazi CDS44RTS Top Rail Module is suited to Single and Double Action applications. It is designed for use with the DORMA RTS Transom Closer Range (RTS84, RTS85). A 3° Offset Insert is available to suit Electric Locking Applications (specify CDS44RTSL/R). The module includes a DC590 Deadlock, Cylinder and Turn. 100mm high rail cover is available, as well as special height profiles to application on request.

Max Door Weight: >150kg's (restricted to RTS capacity)
 Max Door Width: >1400mm
 Max Glass Thickness: >15mm (19mm on application)

Available Finishes: Aluminium Mill, Anodized or Powdercoat
 Satin or Polished Stainless Steel
 Polished, Chromed or Satin Chromed Brass
 Polished Brass Unlaquered

Specify: CDS44RTS to designate as above
 CDS44RTSL/R to designate 3° Offset Insert Module
 CDR44RTS to designate 100mm Cover Profile
 ZDS44RTS to designate 15mm Glass
 ZDR44RTS to designate 100mm Cover Profile and 15mm Glass



On-Eazi Rail Series Sliding Door Modules

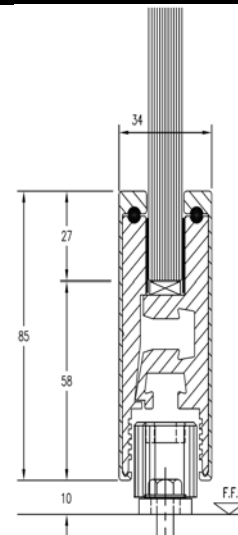
On-Eazi CDS41S Series Bottom Rail Module to suit Sliding Door Applications

The On-Eazi CDS41S Rail Module is suited to most Manual and Automatic Sliding Door Applications. The Rail is designed to operate with the CD03 Internal Rail Roller Guide. Optional 100mm high rail cover is available, as well as special height profiles to application on request.

Max Door Weight: >150kg's (> on application)
 Max Door Width: >1500mm (> on application)
 Max Glass Thickness: >15mm (19mm on application)

Available Finishes: Aluminium Mill, Anodized or Powdercoat
 Satin or Polished Stainless Steel
 Polished, Chromed or Satin Chromed Brass
 Polished Brass Unlaquered

Specify: CDS41S to designate as above
 CDR41S to designate 100mm Cover Profile
 ZDS41S to designate 15mm Glass
 ZDR41S to designate 100mm Cover Profile and 15mm Glass



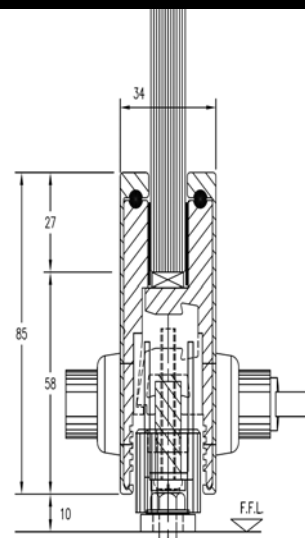
On-Eazi CDS42S Series Top Rail Module to suit Sliding Door Applications with Lock

The On-Eazi CDS42S Rail Module is suited to most Manual and Automatic Sliding Door Applications. The Rail is designed to operate with the CD03 Internal Rail Roller Guide and includes the DORMA DC590 Deadlock, Cylinder and Turn Snib. Optional 100mm high rail cover is available, as well as special height profiles to application on request.

Max Door Weight: >150kg's (> on application)
 Max Door Width: >1500mm (> on application)
 Max Glass Thickness: >15mm (19mm on application)

Available Finishes: Aluminium Mill, Anodized or Powdercoat
 Satin or Polished Stainless Steel
 Polished, Chromed or Satin Chromed Brass
 Polished Brass Unlaquered

Specify: CDS42S to designate as above
 CDR42S to designate 100mm Cover Profile
 ZDS42S to designate 15mm Glass
 ZDR42S to designate 100mm Cover Profile and 15mm Glass



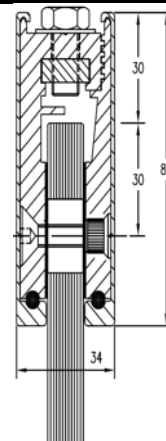
On-Eazi CDS43S Series Bolt Through Top Rail Module to suit Sliding Door Applications

The On-Eazi CDS43S Bolt Through Top Rail Module is suited to most Manual and Automatic Sliding Door Applications. Optional 100mm high rail cover is available, as well as special height profiles to application on request.

Max Door Weight: >150kg's (> on application)
 Max Door Width: >1500mm (> on application)
 Max Glass Thickness: >15mm (19mm on application)

Available Finishes: Aluminium Mill, Anodized or Powdercoat
 Satin or Polished Stainless Steel
 Polished, Chromed or Satin Chromed Brass
 Polished Brass Unlaquered

Specify: CDS43S to designate as above
 CDR43S to designate 100mm Cover Profile
 ZDS43S to designate 15mm Glass
 ZDR43S to designate 100mm Cover Profile and 15mm Glass



On-Eazi Rail Series Sliding Door Modules

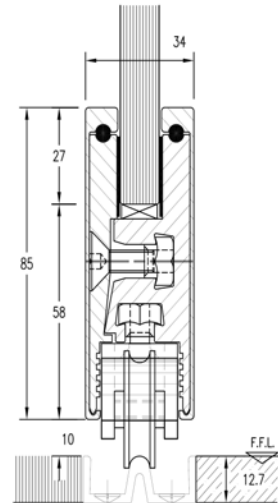
On-Eazi CDS41B/S Series Bottom Rail Module to suit Bottom Tracked Sliding Door Applications

The On-Eazi CDS41B/S Bottom Rail Module incorporates heavy duty bottom rollers, and is designed to operate with the CDS50 Bottom Track extrusion. Optional 100mm high rail cover is available, as well as special height profiles to application on request.

Max Door Weight: >150kg's (> on application)
 Max Door Width: >1500mm (> on application)
 Max Glass Thickness: >15mm

Available Finishes: Aluminium Mill, Anodized or Powdercoat
 Satin or Polished Stainless Steel
 Polished, Chromed or Satin Chromed Brass
 Polished Brass Unlaquered

Specify: CDS41B/S to designate as above
 CDR41B/S to designate 100mm Cover Profile
 ZDS41B/S to designate 15mm Glass
 ZDR41B/S to designate 100mm Cover Profile and 15mm Glass



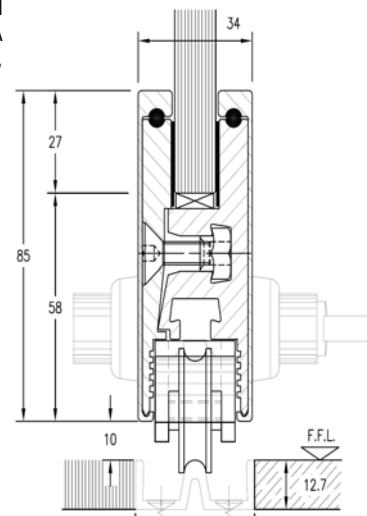
On-Eazi CDS42B/S Series Bottom Rail Module to suit Bottom Tracked Sliding Door Applications with Lock

The On-Eazi CDS42B/S Bottom Rail Module incorporates heavy duty bottom rollers, and is designed to operate with the CDS50 Bottom Track extrusion. It includes the DORMA DC590 Deadlock, Cylinder and Turn Snib. Optional 100mm high rail cover is available, as well as special height profiles to application on request.

Max Door Weight: >150kg's (> on application)
 Max Door Width: >1500mm (> on application)
 Max Glass Thickness: >15mm

Available Finishes: Aluminium Mill, Anodized or Powdercoat
 Satin or Polished Stainless Steel
 Polished, Chromed or Satin Chromed Brass
 Polished Brass Unlaquered

Specify: CDS42B/S to designate as above
 CDR42B/S to designate 100mm Cover Profile
 ZDS42B/S to designate 15mm Glass
 ZDR42B/S to designate 100mm Cover Profile and 15mm Glass



Universal Rail Series Pivot Door Modules

Universal 358TR1 & 358TR2 Series Top Rail Module to suit Top Pivot Applications

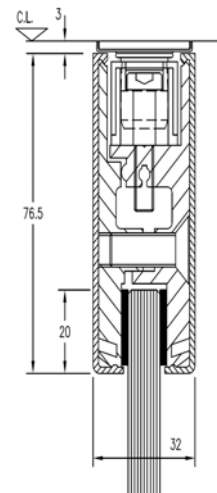
The Universal 76.5mm TR1 & TR2 Series Top Rail Modules are suited to both Single and Double Action Pivot Door Applications. The series is designed for use with the DORMA Free Upper Pivot Bearings Range (8066U, CD58, PT24).

Max Door Weight: 150kg's (100kg's with O/Set Strap)
 Max Door Width: 1400mm (1200mm with O/Set Strap)
 Max Glass Thickness: 12mm



Available Finishes: Aluminium Mill, Anodized or Powdercoat
 Satin or Polished Stainless Steel
 Polished Brass on application

Specify: 358TR1 to suit Pivot application without DC590 Deadlock (pictured right)
 358TR2 to suit Pivot Application with DC590 Deadlock



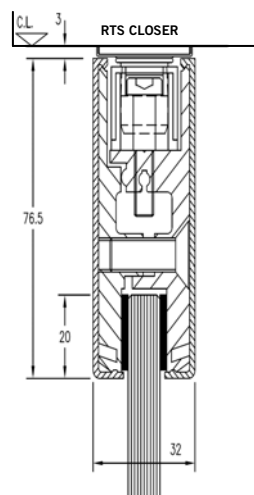
Universal 358TR3 & 358TR4 Series Top Rail Module to suit RTS Transom Closer Applications

The Universal 76.5mm TR3 & TR4 Top Series Rail Modules are suited to both Single and Double Action Pivot Door Applications. The series is designed for use with the DORMA RTS Transom Closer Range (RTS84, RTS85). A 3° Offset Insert is available on application to suit Electric Locking Applications.

Max Door Weight: 150kg's (restricted to RTS capacity)
 Max Door Width: 1400mm
 Max Glass Thickness: 12mm

Available Finishes: Aluminium Mill, Anodized or Powdercoat
 Satin or Polished Stainless Steel
 Polished Brass on application

Specify: 358TR3 to suit DORMA RTS Transom Closer without DC590 Deadlock (pictured right)
 358TR4 to suit DORMA RTS Transom Closer with DC590 Deadlock



Universal 358BR1, 358BR2 & 358BR3 Series Bottom Rail Module to suit Pivot Bearing or BTS Floor Spring Applications

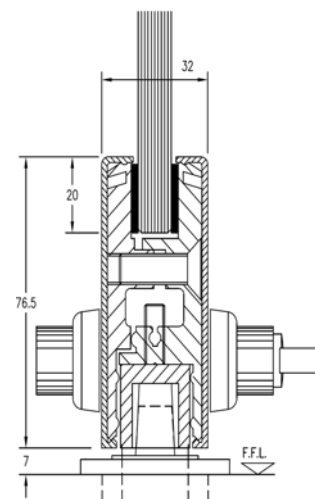
The Universal 76.5mm BR1, BR2 & BR3 Series Bottom Rail Modules are suited to both Single and Double Action Pivot Door Applications. They are designed to be used with either the 355.5 Free Floor Pivot Bearing, or BTS Floor Spring range.

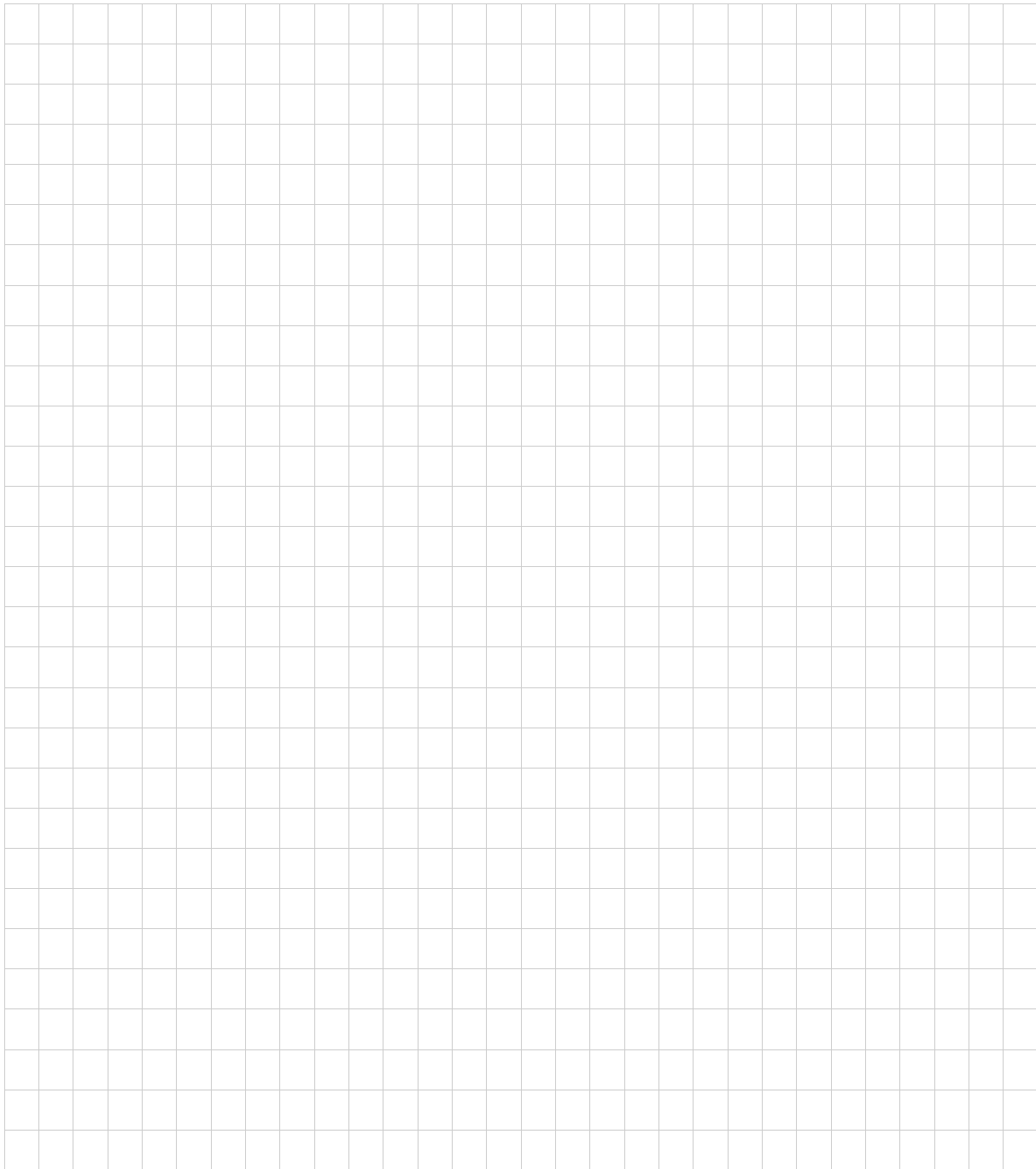
Max Door Weight: 150kg's (100kg's with O/Set Strap)
 Max Door Width: 1400mm (1200mm with O/Set Strap)
 Max Glass Thickness: 12mm



Available Finishes: Aluminium Mill, Anodized or Powdercoat
 Satin or Polished Stainless Steel
 Polished Brass on application

Specify: 358BR1 to suit Pivot Bearing or BTS Floor Spring applications without DC590 Deadlock
 358BR2 to suit to suit Pivot Bearing or BTS Floor Spring applications with DC590 Deadlock (pictured right)
 358BR3 to suit to suit Pivot Bearing or BTS Floor Spring applications with Pin Throw Deadbolt





Form

Division Glas Australia
CDS Patch Fittings (Aust) Pty. Ltd.
22 York Road
Ingleburn NSW 2565

Phone: (02) 9605 5822
Fax: 1800 821 299
Email: infoglas@dorma.com.au

A DORMA Group Company
www.dorma.com.au

Division Glas New Zealand
DORMA NZ Ltd.
20 Sylvia Park Road
Mount Wellington, Auckland

Phone: (9) 573 1999
Fax: (9) 573 1991
Email: infoglas@dorma.com.au

A DORMA Group Company
www.dorma.com.au



DORMA Glas Australia
CDS Patch Fittings (Aust) Pty. Ltd.
22 York Road
Ingleburn, NSW, 2565
Phone +612 9605 5822
Fax +612 9605 3675

DORMA Glas NZ
DORMA NZ Ltd.
20 Sylvia Park Road
Mount Wellington, Auckland
Phone +649 573 1999
Fax: +649 573 1991

infoglas@dorma.com.au
www.dorma.com.au

A DORMA Group Company