

Prolam Product List

2023

H5

H3.2 Visual

H1.2 Visual

H3.2 Non Visual

H1.2 Non Visual

Call +64 3 526 7436

sales@prowoodnz.com | prolamnz.com



Prolam[®]

Engineered Laminated Timber

Posts Visual PL8 H5 Width & Thickness

	88	112	135	180	220	260	300
P/LM	PLPH5-100	PLPH5-125	PLPH5-150	PLPH5-200	PLPH5-250	PLPH5-300	PLPH5-350
2.4	PLPH5-100-2.4	PLPH5-125-2.4	PLPH5-150-2.4	PLPH5-200-2.4	PLPH5-250-2.4	PLPH5-300-2.4	PLPH5-350-2.4
2.7	PLPH5-100-2.7	PLPH5-125-2.7	PLPH5-150-2.7	PLPH5-200-2.7	PLPH5-250-2.7	PLPH5-300-2.7	PLPH5-350-2.7
3.0	PLPH5-100-3.0	PLPH5-125-3.0	PLPH5-150-3.0	PLPH5-200-3.0	PLPH5-250-3.0	PLPH5-300-3.0	PLPH5-350-3.0
3.6	PLPH5-100-3.6	PLPH5-125-3.6	PLPH5-150-3.6	PLPH5-200-3.6	PLPH5-250-3.6	PLPH5-300-3.6	PLPH5-350-3.6
4.2	PLPH5-100-4.2	PLPH5-125-4.2	PLPH5-150-4.2	PLPH5-200-4.2	PLPH5-250-4.2	PLPH5-300-4.2	PLPH5-350-4.2
4.8	PLPH5-100-4.8	PLPH5-125-4.8	PLPH5-150-4.8	PLPH5-200-4.8	PLPH5-250-4.8	PLPH5-300-4.8	PLPH5-350-4.8
5.4	PLPH5-100-5.4	PLPH5-125-5.4	PLPH5-150-5.4	PLPH5-200-5.4	PLPH5-250-5.4	PLPH5-300-5.4	PLPH5-350-5.4
6.0	PLPH5-100-6.0	PLPH5-125-6.0	PLPH5-150-6.0	PLPH5-200-6.0	PLPH5-250-6.0	PLPH5-300-6.0	PLPH5-350-6.0

Posts Visual PL12 H5 Width & Thickness

	88	112	135	180	220	260	300
P/LM	PLP12H5-100	PLP12H5-125	PLP12H5-150	PLP12H5-200	PLP12H5-250	PLP12H5-300	PLP12H5-350
2.4	PLP12H5-100-2.4	PLP12H5-125-2.4	PLP12H5-150-2.4	PLP12H5-200-2.4	PLP12H5-250-2.4	PLP12H5-300-2.4	PLP12H5-350-2.4
2.7	PLP12H5-100-2.7	PLP12H5-125-2.7	PLP12H5-150-2.7	PLP12H5-200-2.7	PLP12H5-250-2.7	PLP12H5-300-2.7	PLP12H5-350-2.7
3.0	PLP12H5-100-3.0	PLP12H5-125-3.0	PLP12H5-150-3.0	PLP12H5-200-3.0	PLP12H5-250-3.0	PLP12H5-300-3.0	PLP12H5-350-3.0
3.6	PLP12H5-100-3.6	PLP12H5-125-3.6	PLP12H5-150-3.6	PLP12H5-200-3.6	PLP12H5-250-3.6	PLP12H5-300-3.6	PLP12H5-350-3.6
4.2	PLP12H5-100-4.2	PLP12H5-125-4.2	PLP12H5-150-4.2	PLP12H5-200-4.2	PLP12H5-250-4.2	PLP12H5-300-4.2	PLP12H5-350-4.2
4.8	PLP12H5-100-4.8	PLP12H5-125-4.8	PLP12H5-150-4.8	PLP12H5-200-4.8	PLP12H5-250-4.8	PLP12H5-300-4.8	PLP12H5-350-4.8
5.4	PLP12H5-100-5.4	PLP12H5-125-5.4	PLP12H5-150-5.4	PLP12H5-200-5.4	PLP12H5-250-5.4	PLP12H5-300-5.4	PLP12H5-350-5.4
6.0	PLP12H5-100-6.0	PLP12H5-125-6.0	PLP12H5-150-6.0	PLP12H5-200-6.0	PLP12H5-250-6.0	PLP12H5-300-6.0	PLP12H5-350-6.0

Post lengths: 2.4, 2.7, 3.0, 3.6, 4.2, 4.8, 5.4, 6.0, 6.6, 7.2m + longer.

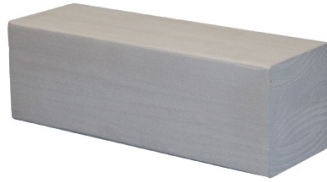
[Click Here to learn more](#)

Post Finishes

Visual Machine Finish



Preprimed Finish



Bandsawn Finish
(less 3mm each side)



Sanded + Sealed Finish



Frequently Asked Questions

Can I use H5 posts in-ground for structural use?

Yes. Prolam posts are Codemark certified for in-ground structural use.

How do I seal my Prolam post?

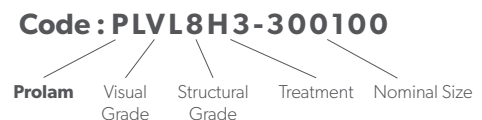
For Prolam products that will be exposed to moisture, all exposed surfaces must be fully coated within 14 days of installation. Typically the same paint or stain is used as the out of ground portion of the post to prevent moisture entering the post. [Click here](#) for our full coating requirements.

How do I know if my verandah/carport roof or deck requires bracing?

Free-standing carports and decks, as well as attached verandah/carport roofs and decks projecting more than 2 m from the building, require bracing.

How do the product codes work?

Product codes typically follow the following sequence (with PLX20 and PLX Portal being exceptions)



Beams Visual PL8 H3.2

Width and Thickness

		88	140	190	225	240	270	290	315	360	405	450	495	540	595
42	Code	PLVL8H3-10050	PLVL8H3-15050	PLVL8H3-20050	PLVL8H3-22550	PLVL8H3-25050	PLVL8H3-27050	PLVL8H3-30050	PLVL8H3-35050	PLVL8H3-40050	PLVL8H3-45050	PLVL8H3-50050	N/A	N/A	N/A
63	Code	PLVL8H3-10075	PLVL8H3-15075	PLVL8H3-20075	PLVL8H3-22575	PLVL8H3-25075	PLVL8H3-27075	PLVL8H3-30075	PLVL8H3-35075	PLVL8H3-40075	PLVL8H3-45075	PLVL8H3-50075	PLVL8H3-55075	PLVL8H3-60075	PLVL8H3-65075
88	Code	N/A	PLVL8H3-150100	PLVL8H3-200100	PLVL8H3-225100	PLVL8H3-250100	PLVL8H3-270100	PLVL8H3-300100	PLVL8H3-350100	PLVL8H3-400100	PLVL8H3-450100	PLVL8H3-500100	PLVL8H3-550100	PLVL8H3-600100	PLVL8H3-650100
112	Code	N/A	PLVL8H3-150125	PLVL8H3-200125	PLVL8H3-225125	PLVL8H3-250125	PLVL8H3-270125	PLVL8H3-300125	PLVL8H3-350125	PLVL8H3-400125	PLVL8H3-450125	PLVL8H3-500125	PLVL8H3-550125	PLVL8H3-600125	PLVL8H3-650125
135	Code	N/A	PLVL8H3-150150	PLVL8H3-200150	PLVL8H3-225150	PLVL8H3-250150	PLVL8H3-270150	PLVL8H3-300150	PLVL8H3-350150	PLVL8H3-400150	PLVL8H3-450150	PLVL8H3-500150	PLVL8H3-550150	PLVL8H3-600150	PLVL8H3-650150
180	Code	N/A	N/A	N/A	PLVL8H3-225200	PLVL8H3-250200	PLVL8H3-270200	PLVL8H3-300200	PLVL8H3-350200	PLVL8H3-400200	PLVL8H3-450200	PLVL8H3-500200	PLVL8H3-550200	PLVL8H3-600200	PLVL8H3-650200
220	Code	N/A	N/A	N/A	N/A	PLVL8H3-250250	PLVL8H3-270250	PLVL8H3-300250	PLVL8H3-350250	PLVL8H3-400250	PLVL8H3-450250	PLVL8H3-500250	PLVL8H3-550250	PLVL8H3-600250	PLVL8H3-650250
260	Code	N/A	N/A	N/A	N/A	N/A	N/A	N/A	PLVL8H3-350300	PLVL8H3-400300	PLVL8H3-450300	PLVL8H3-500300	PLVL8H3-550300	PLVL8H3-600300	PLVL8H3-650300

Beams Visual PL12 H3.2

Width and Thickness

		88	140	190	225	240	270	290	315	360	405	450	495	540	595
42	Code	PLVL12H3-10050	PLVL12H3-15050	PLVL12H3-20050	PLVL12H3-22550	PLVL12H3-25050	PLVL12H3-27050	PLVL12H3-30050	PLVL12H3-35050	PLVL12H3-40050	PLVL12H3-45050	PLVL12H3-50050	N/A	N/A	N/A
63	Code	PLVL12H3-10075	PLVL12H3-15075	PLVL12H3-20075	PLVL12H3-22575	PLVL12H3-25075	PLVL12H3-27075	PLVL12H3-30075	PLVL12H3-35075	PLVL12H3-40075	PLVL12H3-45075	PLVL12H3-50075	PLVL12H3-55075	PLVL12H3-60075	PLVL12H3-65075
88	Code	N/A	PLVL12H3-150100	PLVL12H3-200100	PLVL12H3-225100	PLVL12H3-250100	PLVL12H3-270100	PLVL12H3-300100	PLVL12H3-350100	PLVL12H3-400100	PLVL12H3-450100	PLVL12H3-500100	PLVL12H3-550100	PLVL12H3-600100	PLVL12H3-650100
112	Code	N/A	PLVL12H3-150125	PLVL12H3-200125	PLVL12H3-225125	PLVL12H3-250125	PLVL12H3-270125	PLVL12H3-300125	PLVL12H3-350125	PLVL12H3-400125	PLVL12H3-450125	PLVL12H3-500125	PLVL12H3-550125	PLVL12H3-600125	PLVL12H3-650125
135	Code	N/A	PLVL12H3-150150	PLVL12H3-200150	PLVL12H3-225150	PLVL12H3-250150	PLVL12H3-270150	PLVL12H3-300150	PLVL12H3-350150	PLVL12H3-400150	PLVL12H3-450150	PLVL12H3-500150	PLVL12H3-550150	PLVL12H3-600150	PLVL12H3-650150
180	Code	N/A	N/A	N/A	PLVL12H3-225200	PLVL12H3-250200	PLVL12H3-270200	PLVL12H3-300200	PLVL12H3-350200	PLVL12H3-400200	PLVL12H3-450200	PLVL12H3-500200	PLVL12H3-550200	PLVL12H3-600200	PLVL12H3-650200
220	Code	N/A	N/A	N/A	N/A	PLVL12H3-250250	PLVL12H3-270250	PLVL12H3-300250	PLVL12H3-350250	PLVL12H3-400250	PLVL12H3-450250	PLVL12H3-500250	PLVL12H3-550250	PLVL12H3-600250	PLVL12H3-650250
260	Code	N/A	N/A	N/A	N/A	N/A	N/A	N/A	PLVL12H3-350300	PLVL12H3-400300	PLVL12H3-450300	PLVL12H3-500300	PLVL12H3-550300	PLVL12H3-600300	PLVL12H3-650300

H3.2 Beam lengths: 3.6, 4.2, 4.8, 5.4, 6.0, 6.6, 7.2, 7.8, 8.4, 9.0, 9.6, 10.2, 10.8, 11.4, 12.0, 12.6, 13.2, 13.8, 14.4, 15.0m.

[Click Here to learn more](#)

H3.2 Visual Beam Finishes

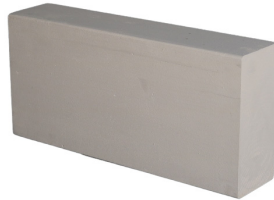
Visual Machine Finish



Bandsawn Finish
(less 3mm each side)



Preprimed Finish



Sanded + Sealed Finish



Frequently Asked Questions

What colour are H3.2 Prolam beams?

H3.2 is typically known to add a green tinge to timber, however as Prolam is machined after treatment this brings up the colour to a light brown.

What are the coating requirements for Prolam?

For Prolam products that will be exposed to moisture, all exposed surfaces must be fully coated within 14 days of installation. [Click here](#) for our full coating requirements.

For more FAQs, visit our [website](#)

Beams Visual PL8 H1.2

Width and Thickness

		88	140	190	225	240	270	290	315	360	405	450	495	540	595
42	Code	PLVL8H1-10050	PLVL8H1-15050	PLVL8H1-20050	PLVL8H1-22550	PLVL8H1-25050	PLVL8H1-27050	PLVL8H1-30050	PLVL8H1-35050	PLVL8H1-40050	PLVL8H1-45050	PLVL8H1-50050	N/A	N/A	N/A
63	Code	PLVL8H1-10075	PLVL8H1-15075	PLVL8H1-20075	PLVL8H1-22575	PLVL8H1-25075	PLVL8H1-27075	PLVL8H1-30075	PLVL8H1-35075	PLVL8H1-40075	PLVL8H1-45075	PLVL8H1-50075	PLVL8H1-55075	PLVL8H1-60075	PLVL8H1-65075
88	Code	N/A	PLVL8H1-150100	PLVL8H1-200100	PLVL8H1-225100	PLVL8H1-250100	PLVL8H1-270100	PLVL8H1-300100	PLVL8H1-350100	PLVL8H1-400100	PLVL8H1-450100	PLVL8H1-500100	PLVL8H1-550100	PLVL8H1-600100	PLVL8H1-650100
112	Code	N/A	PLVL8H1-150125	PLVL8H1-200125	PLVL8H1-225125	PLVL8H1-250125	PLVL8H1-270125	PLVL8H1-300125	PLVL8H1-350125	PLVL8H1-400125	PLVL8H1-450125	PLVL8H1-500125	PLVL8H1-550125	PLVL8H1-600125	PLVL8H1-650125
135	Code	N/A	PLVL8H1-150150	PLVL8H1-200150	PLVL8H1-225150	PLVL8H1-250150	PLVL8H1-270150	PLVL8H1-300150	PLVL8H1-350150	PLVL8H1-400150	PLVL8H1-450150	PLVL8H1-500150	PLVL8H1-550150	PLVL8H1-600150	PLVL8H1-650150
180	Code	N/A	N/A	N/A	PLVL8H1-225200	PLVL8H1-250200	PLVL8H1-270200	PLVL8H1-300200	PLVL8H1-350200	PLVL8H1-400200	PLVL8H1-450200	PLVL8H1-500200	PLVL8H1-550200	PLVL8H1-600200	PLVL8H1-650200
220	Code	N/A	N/A	N/A	N/A	PLVL8H1-250250	PLVL8H1-270250	PLVL8H1-300250	PLVL8H1-350250	PLVL8H1-400250	PLVL8H1-450250	PLVL8H1-500250	PLVL8H1-550250	PLVL8H1-600250	PLVL8H1-650250
260	Code	N/A	N/A	N/A	N/A	N/A	N/A	N/A	PLVL8H1-350300	PLVL8H1-400300	PLVL8H1-450300	PLVL8H1-500300	PLVL8H1-550300	PLVL8H1-600300	PLVL8H1-650300

Beams Visual PL12 H1.2

Width and Thickness

		88	140	190	225	240	270	290	315	360	405	450	495	540	595
42	Code	PLVL12H1-10050	PLVL12H1-15050	PLVL12H1-20050	PLVL12H1-22550	PLVL12H1-25050	PLVL12H1-27050	PLVL12H1-30050	PLVL12H1-35050	PLVL12H1-40050	PLVL12H1-45050	PLVL12H1-50050	N/A	N/A	N/A
63	Code	PLVL12H1-10075	PLVL12H1-15075	PLVL12H1-20075	PLVL12H1-22575	PLVL12H1-25075	PLVL12H1-27075	PLVL12H1-30075	PLVL12H1-35075	PLVL12H1-40075	PLVL12H1-45075	PLVL12H1-50075	PLVL12H1-55075	PLVL12H1-60075	PLVL12H1-65075
88	Code	N/A	PLVL12H1-150100	PLVL12H1-200100	PLVL12H1-225100	PLVL12H1-250100	PLVL12H1-270100	PLVL12H1-300100	PLVL12H1-350100	PLVL12H1-400100	PLVL12H1-450100	PLVL12H1-500100	PLVL12H1-550100	PLVL12H1-600100	PLVL12H1-650100
112	Code	N/A	PLVL12H1-150125	PLVL12H1-200125	PLVL12H1-225125	PLVL12H1-250125	PLVL12H1-270125	PLVL12H1-300125	PLVL12H1-350125	PLVL12H1-400125	PLVL12H1-450125	PLVL12H1-500125	PLVL12H1-550125	PLVL12H1-600125	PLVL12H1-650125
135	Code	N/A	PLVL12H1-150150	PLVL12H1-200150	PLVL12H1-225150	PLVL12H1-250150	PLVL12H1-270150	PLVL12H1-300150	PLVL12H1-350150	PLVL12H1-400150	PLVL12H1-450150	PLVL12H1-500150	PLVL12H1-550150	PLVL12H1-600150	PLVL12H1-650150
180	Code	N/A	N/A	N/A	PLVL12H1-225200	PLVL12H1-250200	PLVL12H1-270200	PLVL12H1-300200	PLVL12H1-350200	PLVL12H1-400200	PLVL12H1-450200	PLVL12H1-500200	PLVL12H1-550200	PLVL12H1-600200	PLVL12H1-650200
220	Code	N/A	N/A	N/A	N/A	PLVL12H1-250250	PLVL12H1-270250	PLVL12H1-300250	PLVL12H1-350250	PLVL12H1-400250	PLVL12H1-450250	PLVL12H1-500250	PLVL12H1-550250	PLVL12H1-600250	PLVL12H1-650250
260	Code	N/A	N/A	N/A	N/A	N/A	N/A	N/A	PLVL12H1-350300	PLVL12H1-400300	PLVL12H1-450300	PLVL12H1-500300	PLVL12H1-550300	PLVL12H1-600300	PLVL12H1-650300

H1.2 Beam Lengths: 3.6, 4.2, 4.8, 5.4, 6.0, 6.6, 7.2m

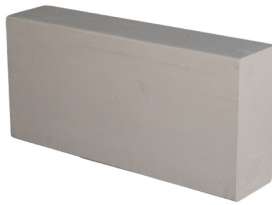
[Click Here to learn more](#)

H1.2 Visual Beam Finishes

Visual Machine Finish



Preprimed Finish



Sanded + Sealed Finish



Frequently Asked Questions

What colour are Visual H1.2 Prolam beams?

H1.2 Visual starts off with a yellow tinge, but fades rapidly into an untreated timber colour.

How much does Prolam weigh?

The weight of Prolam PL8 & PL12 treated to H1.2, H3.2 or H5 is around 550 kg's per cube. E.g the weight of a 240x88 H3.2 PL8 4.8m is around 56 kg (E.g. $0.240 \times 0.088 \times 4.8 \times 550 = 55.76$ kg).

For more FAQs, visit our [website](#)

Non-Visual Beams PL8 H3.2

Width and Thickness

		88	140	190	225	240	270	290	315	360	405	450	495	540	595
42	Code	PL8H3-10050	PL8H3-15050	PL8H3-20050	PL8H3-22550	PL8H3-25050	PL8H3-27050	PL8H3-30050	PL8H3-35050	PL8H3-40050	PL8H3-45050	PL8H3-50050	N/A	N/A	N/A
63	Code	PL8H3-10075	PL8H3-15075	PL8H3-20075	PL8H3-22575	PL8H3-25075	PL8H3-27075	PL8H3-30075	PL8H3-35075	PL8H3-40075	PL8H3-45075	PL8H3-50075	PL8H3-55075	PL8H3-60075	PL8H3-65075
90	Code	N/A	PL8H3-150100	PL8H3-200100	PL8H3-225100	PL8H3-250100	PL8H3-270100	PL8H3-300100	PL8H3-350100	PL8H3-400100	PL8H3-450100	PL8H3-500100	PL8H3-550100	PL8H3-600100	PL8H3-650100
112	Code	N/A	PL8H3-150125	PL8H3-200125	PL8H3-225125	PL8H3-250125	PL8H3-270125	PL8H3-300125	PL8H3-350125	PL8H3-400125	PL8H3-450125	PL8H3-500125	PL8H3-550125	PL8H3-600125	PL8H3-650125
140	Code	N/A	PL8H3-150150	PL8H3-200150	PL8H3-225150	PL8H3-250150	PL8H3-270150	PL8H3-300150	PL8H3-350150	PL8H3-400150	PL8H3-450150	PL8H3-500150	PL8H3-550150	PL8H3-600150	PL8H3-650150
180	Code	N/A	N/A	N/A	PL8H3-225200	PL8H3-250200	PL8H3-270200	PL8H3-300200	PL8H3-350200	PL8H3-400200	PL8H3-450200	PL8H3-500200	PL8H3-550200	PL8H3-600200	PL8H3-650200
220	Code	N/A	N/A	N/A	N/A	PL8H3-250250	PL8H3-270250	PL8H3-300250	PL8H3-350250	PL8H3-400250	PL8H3-450250	PL8H3-500250	PL8H3-550250	PL8H3-600250	PL8H3-650250
260	Code	N/A	N/A	N/A	N/A	N/A	N/A	N/A	PL8H3-350300	PL8H3-400300	PL8H3-450300	PL8H3-500300	PL8H3-550300	PL8H3-600300	PL8H3-650300

Non-Visual Beams PL12 H3.2

Width and Thickness

		88	140	190	225	240	270	290	315	360	405	450	495	540	595
42	Code	PL12H3-10050	PL12H3-15050	PL12H3-20050	PL12H3-22550	PL12H3-25050	PL12H3-27050	PL12H3-30050	PL12H3-35050	PL12H3-40050	PL12H3-45050	PL12H3-50050	N/A	N/A	N/A
63	Code	PL12H3-10075	PL12H3-15075	PL12H3-20075	PL12H3-22575	PL12H3-25075	PL12H3-27075	PL12H3-30075	PL12H3-35075	PL12H3-40075	PL12H3-45075	PL12H3-50075	PL12H3-55075	PL12H3-60075	PL12H3-65075
90	Code	N/A	PL12H3-150100	PL12H3-200100	PL12H3-225100	PL12H3-250100	PL12H3-270100	PL12H3-300100	PL12H3-350100	PL12H3-400100	PL12H3-450100	PL12H3-500100	PL12H3-550100	PL12H3-600100	PL12H3-650100
112	Code	N/A	PL12H3-150125	PL12H3-200125	PL12H3-225125	PL12H3-250125	PL12H3-270125	PL12H3-300125	PL12H3-350125	PL12H3-400125	PL12H3-450125	PL12H3-500125	PL12H3-550125	PL12H3-600125	PL12H3-650125
140	Code	N/A	PL12H3-150150	PL12H3-200150	PL12H3-225150	PL12H3-250150	PL12H3-270150	PL12H3-300150	PL12H3-350150	PL12H3-400150	PL12H3-450150	PL12H3-500150	PL12H3-550150	PL12H3-600150	PL12H3-650150
180	Code	N/A	N/A	N/A	PL12H3-225200	PL12H3-250200	PL12H3-270200	PL12H3-300200	PL12H3-350200	PL12H3-400200	PL12H3-450200	PL12H3-500200	PL12H3-550200	PL12H3-600200	PL12H3-650200
220	Code	N/A	N/A	N/A	N/A	PL12H3-250250	PL12H3-270250	PL12H3-300250	PL12H3-350250	PL12H3-400250	PL12H3-450250	PL12H3-500250	PL12H3-550250	PL12H3-600250	PL12H3-650250
260	Code	N/A	N/A	N/A	N/A	N/A	N/A	N/A	PL12H3-350300	PL12H3-400300	PL12H3-450300	PL12H3-500300	PL12H3-550300	PL12H3-600300	PL12H3-650300

H3.2 Beam lengths: 3.6, 4.2, 4.8, 5.4, 6.0, 6.6, 7.2, 7.8, 8.4, 9.0, 9.6, 10.2, 10.8, 11.4, 12.0, 12.6, 13.2, 13.8, 14.4, 15.0m.

[Click Here to learn more](#)

H3.2 Non-Visual Beam Finish

Non-Visual H3.2 Finish



Frequently Asked Questions

How far can a glulam beam span?

This can depend on a number of factors such as roof weight, wind zone, roof pitch etc. This can easily be calculated using the Prolam Specifier.

Is there any visual differences between PL8 & PL12?

Both PL8 and PL12 have the same visual appearance and can be identified by the colour's painted on the end of the beam.

For more FAQs, visit our [website](#)

Non-Visual Beams PL8 H1.2

Width and Thickness

		88	140	190	225	240	270	290	315	360	405	450	495	540	595
42	Code	PL8H1-10050	PL8H1-15050	PL8H1-20050	PL8H1-22550	PL8H1-25050	PL8H1-27050	PL8H1-30050	PL8H1-35050	PL8H1-40050	PL8H1-45050	PL8H1-50050	N/A	N/A	N/A
63	Code	PL8H1-10075	PL8H1-15075	PL8H1-20075	PL8H1-22575	PL8H1-25075	PL8H1-27075	PL8H1-30075	PL8H1-35075	PL8H1-40075	PL8H1-45075	PL8H1-50075	PL8H1-55075	PL8H1-60075	PL8H1-65075
90	Code	N/A	PL8H1-150100	PL8H1-200100	PL8H1-225100	PL8H1-250100	PL8H1-270100	PL8H1-300100	PL8H1-350100	PL8H1-400100	PL8H1-450100	PL8H1-500100	PL8H1-550100	PL8H1-600100	PL8H1-650100
112	Code	N/A	PL8H1-150125	PL8H1-200125	PL8H1-225125	PL8H1-250125	PL8H1-270125	PL8H1-300125	PL8H1-350125	PL8H1-400125	PL8H1-450125	PL8H1-500125	PL8H1-550125	PL8H1-600125	PL8H1-650125
140	Code	N/A	PL8H1-150150	PL8H1-200150	PL8H1-225150	PL8H1-250150	PL8H1-270150	PL8H1-300150	PL8H1-350150	PL8H1-400150	PL8H1-450150	PL8H1-500150	PL8H1-550150	PL8H1-600150	PL8H1-650150
180	Code	N/A	N/A	N/A	PL8H1-225200	PL8H1-250200	PL8H1-270200	PL8H1-300200	PL8H1-350200	PL8H1-400200	PL8H1-450200	PL8H1-500200	PL8H1-550200	PL8H1-600200	PL8H1-650200
220	Code	N/A	N/A	N/A	N/A	PL8H1-250250	PL8H1-270250	PL8H1-300250	PL8H1-350250	PL8H1-400250	PL8H1-450250	PL8H1-500250	PL8H1-550250	PL8H1-600250	PL8H1-650250
260	Code	N/A	N/A	N/A	N/A	N/A	N/A	N/A	PL8H1-350300	PL8H1-400300	PL8H1-450300	PL8H1-500300	PL8H1-550300	PL8H1-600300	PL8H1-650300

Non-Visual Beams PL12 H1.2

Width and Thickness

		88	140	190	225	240	270	290	315	360	405	450	495	540	595
42	Code	PL12H1-10050	PL12H1-15050	PL12H1-20050	PL12H1-22550	PL12H1-25050	PL12H1-27050	PL12H1-30050	PL12H1-35050	PL12H1-40050	PL12H1-45050	PL12H1-50050	N/A	N/A	N/A
63	Code	PL12H1-10075	PL12H1-15075	PL12H1-20075	PL12H1-22575	PL12H1-25075	PL12H1-27075	PL12H1-30075	PL12H1-35075	PL12H1-40075	PL12H1-45075	PL12H1-50075	PL12H1-55075	PL12H1-60075	PL12H1-65075
90	Code	N/A	PL12H1-150100	PL12H1-200100	PL12H1-225100	PL12H1-250100	PL12H1-270100	PL12H1-300100	PL12H1-350100	PL12H1-400100	PL12H1-450100	PL12H1-500100	PL12H1-550100	PL12H1-600100	PL12H1-650100
112	Code	N/A	PL12H1-150125	PL12H1-200125	PL12H1-225125	PL12H1-250125	PL12H1-270125	PL12H1-300125	PL12H1-350125	PL12H1-400125	PL12H1-450125	PL12H1-500125	PL12H1-550125	PL12H1-600125	PL12H1-650125
140	Code	N/A	PL12H1-150150	PL12H1-200150	PL12H1-225150	PL12H1-250150	PL12H1-270150	PL12H1-300150	PL12H1-350150	PL12H1-400150	PL12H1-450150	PL12H1-500150	PL12H1-550150	PL12H1-600150	PL12H1-650150
180	Code	N/A	N/A	N/A	PL12H1-225200	PL12H1-250200	PL12H1-270200	PL12H1-300200	PL12H1-350200	PL12H1-400200	PL12H1-450200	PL12H1-500200	PL12H1-550200	PL12H1-600200	PL12H1-650200
220	Code	N/A	N/A	N/A	N/A	PL12H1-250250	PL12H1-270250	PL12H1-300250	PL12H1-350250	PL12H1-400250	PL12H1-450250	PL12H1-500250	PL12H1-550250	PL12H1-600250	PL12H1-650250
260	Code	N/A	N/A	N/A	N/A	N/A	N/A	N/A	PL12H1-350300	PL12H1-400300	PL12H1-450300	PL12H1-500300	PL12H1-550300	PL12H1-600300	PL12H1-650300

H1.2 Beam lengths: 3.6, 4.2, 4.8, 5.4, 6.0, 6.6, 7.2m

[Click Here to learn more](#)

H3.2 Non-Visual Beam Finish

Non-Visual H1.2 Finish



Frequently Asked Questions

What is the difference between PL8 and PL12?

The difference is the strength. PL8 products are made from finger-jointed and laminated SG8 timber, while PL12 products are made from finger-jointed and laminated SG12 timber. PL12 products demonstrate superior strength, greater stiffness properties, and provide a higher number of bracing units than PL8 products.

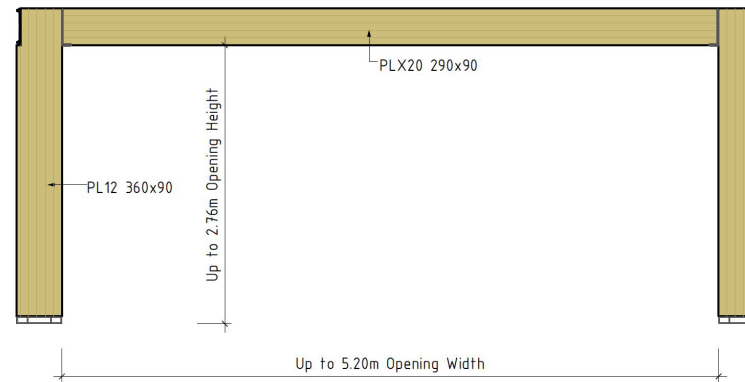
For more FAQs, visit our [website](#)

Non-Visual PLX Portal H1.2 - A sustainable alternative to steel bracing portals, the PLX Portal is constructed from three glulam timber elements

Code	Description
PLXP200H1-2.4H-5.4L	Prolam PLX Portal Frame 200BU H1.2 2.4H x 5.4L
PLXP200H1-2.4H-5.1L	Prolam PLX Portal Frame 200BU H1.2 2.4H x 5.1L
PLXP200H1-2.4H-4.8L	Prolam PLX Portal Frame 200BU H1.2 2.4H x 4.8L
PLXP200H1-2.4H-4.5L	Prolam PLX Portal Frame 200BU H1.2 2.4H x 4.5L
PLXP200H1-2.4H-4.2L	Prolam PLX Portal Frame 200BU H1.2 2.4H x 4.2L
PLXP200H1-2.4H-3.9L	Prolam PLX Portal Frame 200BU H1.2 2.4H x 3.9L
PLXP200H1-2.4H-3.6L	Prolam PLX Portal Frame 200BU H1.2 2.4H x 3.6L
PLXP200H1-2.4H-3.3L	Prolam PLX Portal Frame 200BU H1.2 2.4H x 3.3L
PLXP200H1-2.4H-3.0L	Prolam PLX Portal Frame 200BU H1.2 2.4H x 3.0L
PLXP200H1-2.4H-2.7L	Prolam PLX Portal Frame 200BU H1.2 2.4H x 2.7L
PLXP200H1-2.4H-2.4L	Prolam PLX Portal Frame 200BU H1.2 2.4H x 2.4L
PLXP200H1-2.7H-5.4L	Prolam PLX Portal Frame 200BU H1.2 2.7H x 5.4L
PLXP200H1-2.7H-5.1L	Prolam PLX Portal Frame 200BU H1.2 2.7H x 5.1L
PLXP200H1-2.7H-4.8L	Prolam PLX Portal Frame 200BU H1.2 2.7H x 4.8L
PLXP200H1-2.7H-4.5L	Prolam PLX Portal Frame 200BU H1.2 2.7H x 4.5L
PLXP200H1-2.7H-4.2L	Prolam PLX Portal Frame 200BU H1.2 2.7H x 4.2L
PLXP200H1-2.7H-3.9L	Prolam PLX Portal Frame 200BU H1.2 2.7H x 3.9L
PLXP200H1-2.7H-3.6L	Prolam PLX Portal Frame 200BU H1.2 2.7H x 3.6L
PLXP200H1-2.7H-3.3L	Prolam PLX Portal Frame 200BU H1.2 2.7H x 3.3L
PLXP200H1-2.7H-3.0L	Prolam PLX Portal Frame 200BU H1.2 2.7H x 3.0L
PLXP200H1-2.7H-2.7L	Prolam PLX Portal Frame 200BU H1.2 2.7H x 2.7L
PLXP200H1-2.7H-2.4L	Prolam PLX Portal Frame 200BU H1.2 2.7H x 2.4L
PLXP200H1-3.0H-5.4L	Prolam PLX Portal Frame 200BU H1.2 3.0H x 5.4L
PLXP200H1-3.0H-5.1L	Prolam PLX Portal Frame 200BU H1.2 3.0H x 5.1L
PLXP200H1-3.0H-4.8L	Prolam PLX Portal Frame 200BU H1.2 3.0H x 4.8L
PLXP200H1-3.0H-4.5L	Prolam PLX Portal Frame 200BU H1.2 3.0H x 4.5L
PLXP200H1-3.0H-4.2L	Prolam PLX Portal Frame 200BU H1.2 3.0H x 4.2L
PLXP200H1-3.0H-3.9L	Prolam PLX Portal Frame 200BU H1.2 3.0H x 3.9L
PLXP200H1-3.0H-3.6L	Prolam PLX Portal Frame 200BU H1.2 3.0H x 3.6L
PLXP200H1-3.0H-3.3L	Prolam PLX Portal Frame 200BU H1.2 3.0H x 3.3L
PLXP200H1-3.0H-3.0L	Prolam PLX Portal Frame 200BU H1.2 3.0H x 3.0L
PLXP200H1-3.0H-2.7L	Prolam PLX Portal Frame 200BU H1.2 3.0H x 2.7L
PLXP200H1-3.0H-2.4L	Prolam PLX Portal Frame 200BU H1.2 3.0H x 2.4L

PLPF200 Bracing Capacity						
Nominal Stud Height (m)	Max. Opening Height (m)	Max. Opening Width (m)	Max. Portal Height (m)	Max. Total Portal Width (m)	Wind Bracing (BUs)	Earthquake Bracing (BUs)
2.4	2.26	5.2	2.55	5.92	160	195
2.7	2.46	5.2	2.75	5.92	150	185
3.0	2.76	5.2	3.05	5.92	145	175

Notes:
 Refer to product table for specification codes
 1. The Portal height is taken from floor level to top of column. For different column heights the values above may be interpolated.
 2. The same bracing units apply to shorter lintel spans.



Frequently Asked Questions

How does the PLX Portal compare with steel?

The PLX Portal is easier to install, lighter, more sustainable, can cut to length on site and wall/cladding linings can be fixed directly onto it.

Does an engineer need to specify the PLX Portal?

No, the Portal is preengineered and comes with a PSI compliance certificate meaning an architect can design it into projects.

Does the PLX Portal come with Fixings?

Yes, the Portal comes as a complete kit.

What is the maximum roof pitch to be able to use the PLX portal?

25 degrees.

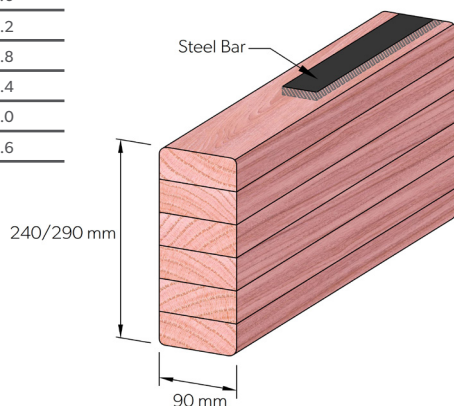
For more FAQs, visit our [website](#)

[Click Here to learn more](#)

Non-Visual PLX20 H1.2 Beam

	240	290
Length	PLX20H1-250100	PLX20H1-300100
3.6	PLX20H1-250100-3.6	PLX20H1-300100-3.6
4.2	PLX20H1-250100-4.2	PLX20H1-300100-4.2
4.8	PLX20H1-250100-4.8	PLX20H1-300100-4.8
5.4	PLX20H1-250100-5.4	PLX20H1-300100-5.4
6.0	PLX20H1-250100-6.0	PLX20H1-300100-6.0
6.6	PLX20H1-250100-6.6	PLX20H1-300100-6.6

Beam Length (m)	Steel Length (m)
3.6	3.2
4.2	3.6
4.8	4.2
5.4	4.7
6.0	5.3
6.6	6.0



Available Lengths: 3.6, 4.2, 4.8, 5.4, 6.0, 6.6m.

Frequently Asked Questions

What is the PLX20 beam?

Precision engineered from quality pine with steel laminated into the top and bottom laminates for extra strength and stiffness, PLX20 allows a smaller member beam to span further.

What is the PLX20 used for?

The PLX20 is ideal for Garage lintels, ridge beams, floor beams and rafters.

How does the PLX20 compare with alternative products?

The PLX20 is up to 40% lighter than alternatives meaning they are faster and easier to install. With a higher timber to steel ratio (FSC timber options available), the PLX20 is also a more sustainable alternative.

Can the steel be cut?

No, the steel cannot be cut.

Each length has approximately 350mm of timber at each end which can be cut to length on site. Refer to beam and steel length table above.

[Click Here to learn more](#)



03 526 7436 Phone
sales@prowoodnz.com
prolamnz.com

How do I specify Prolam?

Prolam can be easily specified on the Prolam Online Specifier.
[Click Here to Access](#)



Prolam is also available to specify on [MasterSpec](#) and [Eboss](#)

Our structural engineer is happy to assist with any technical enquiries.
Simply email info@prowoodnz.com to get in touch.

How do I order?

We price and supply through the following merchants.



We are happy to send a quote through to a merchant, who can get in touch with you with a price.

Simply email info@prowoodnz.com to request pricing through a merchant.

Feel free to contact us if you have any questions.
Call 03 526 7436 or email info@prowoodnz.com